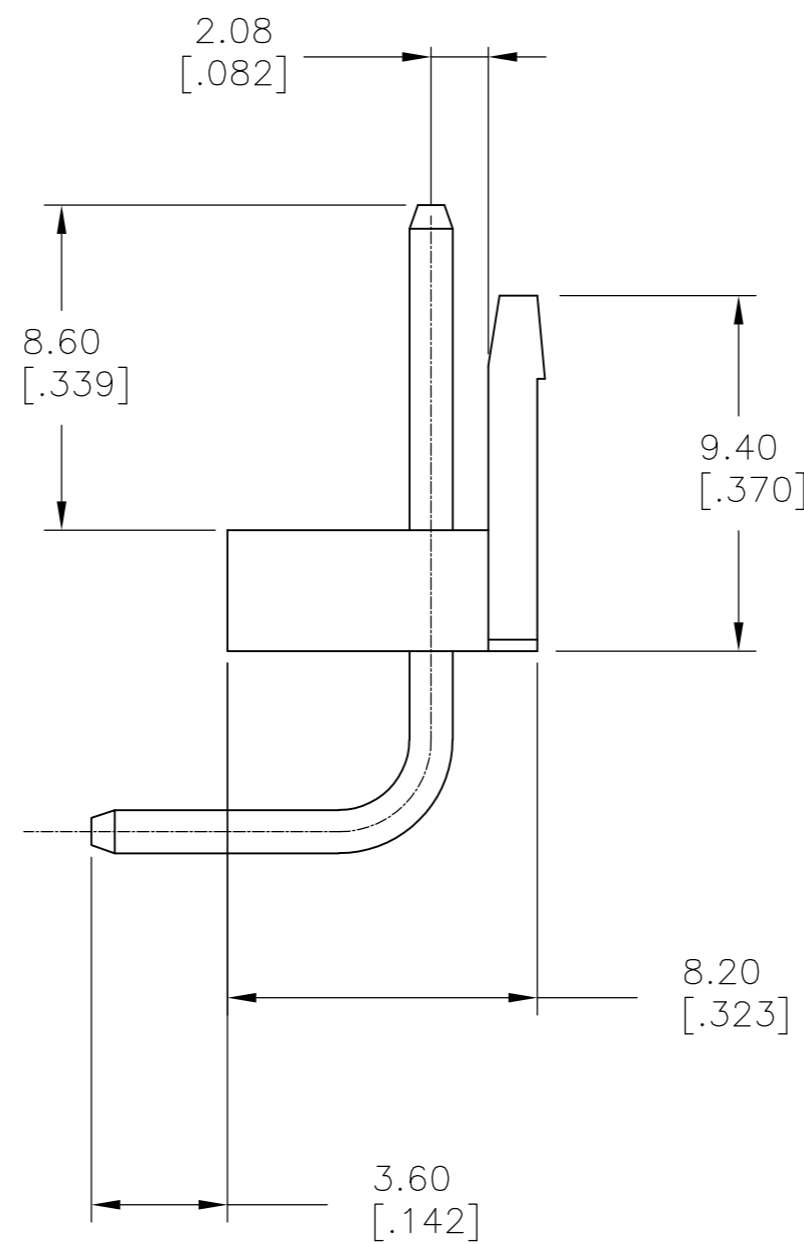
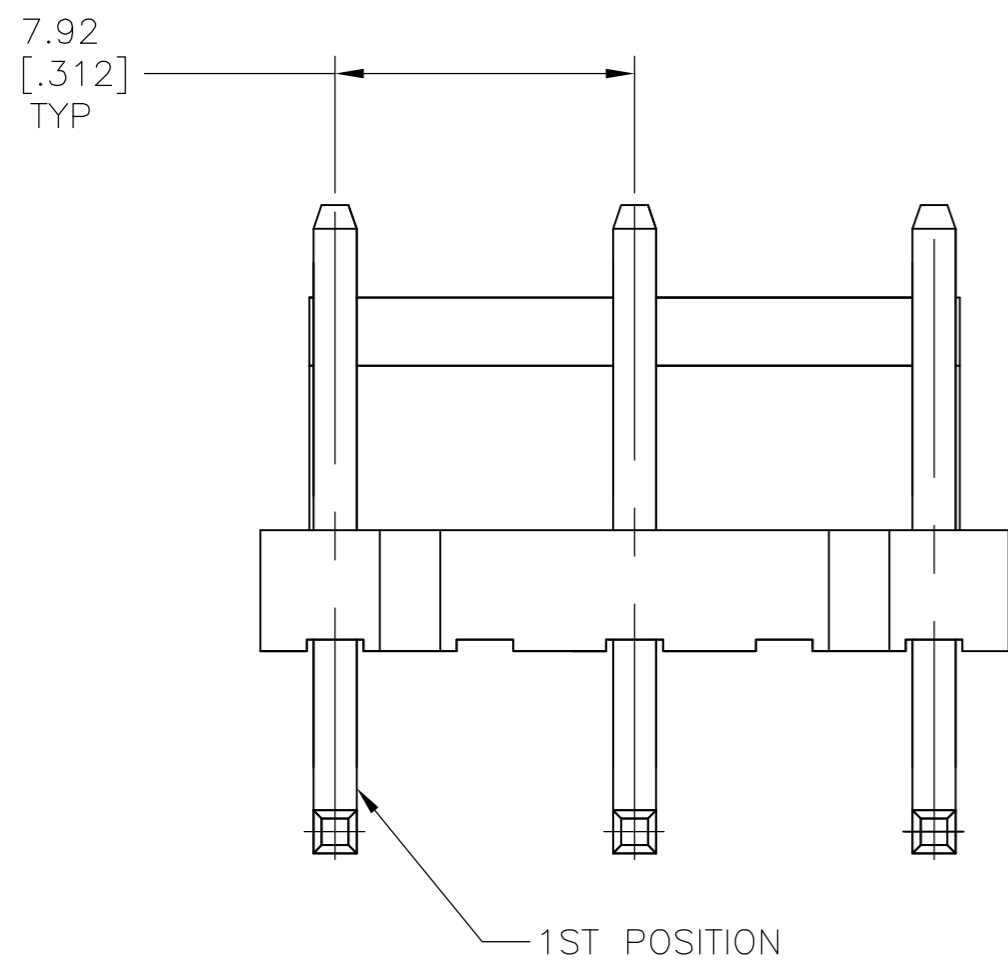
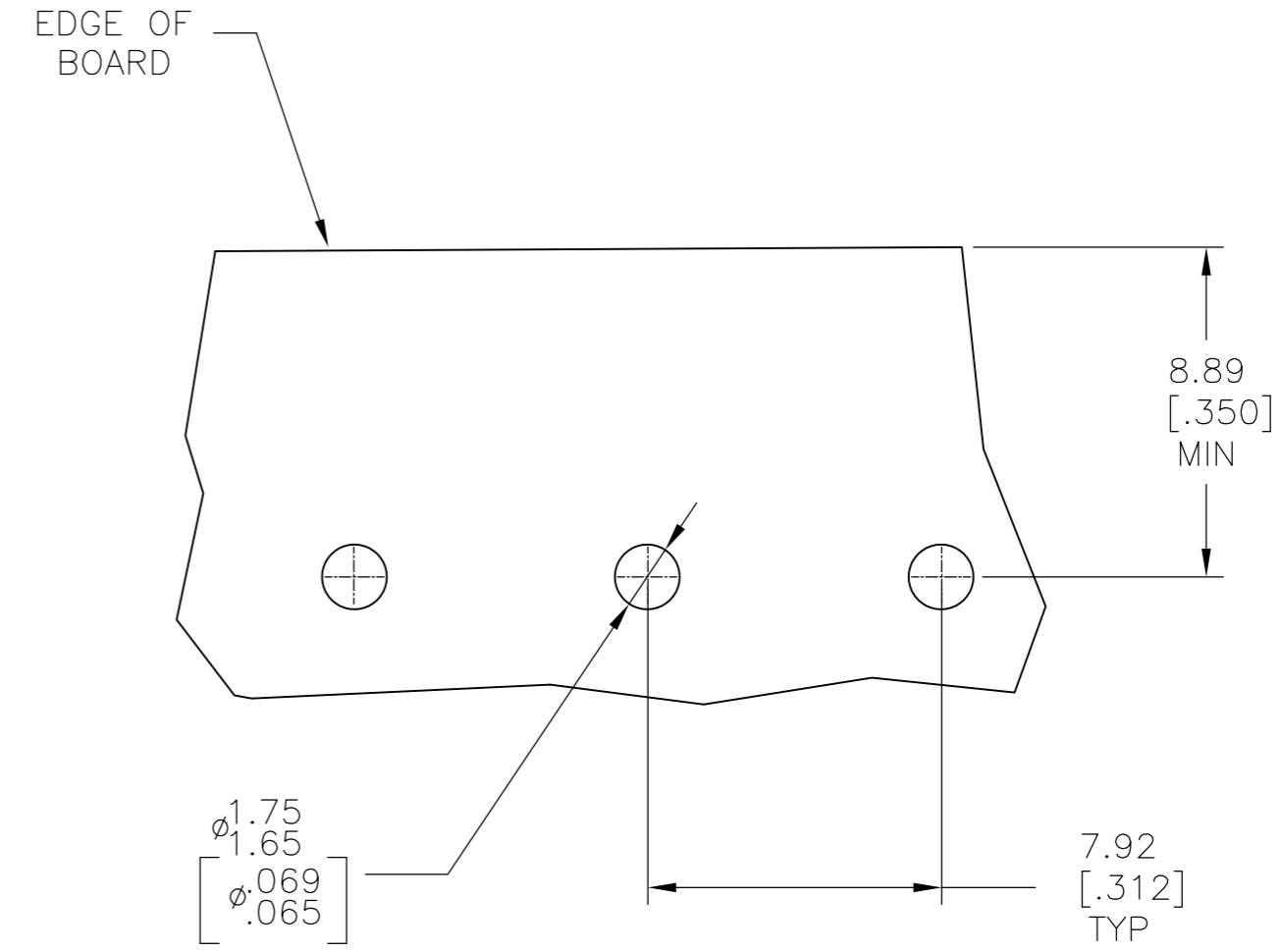
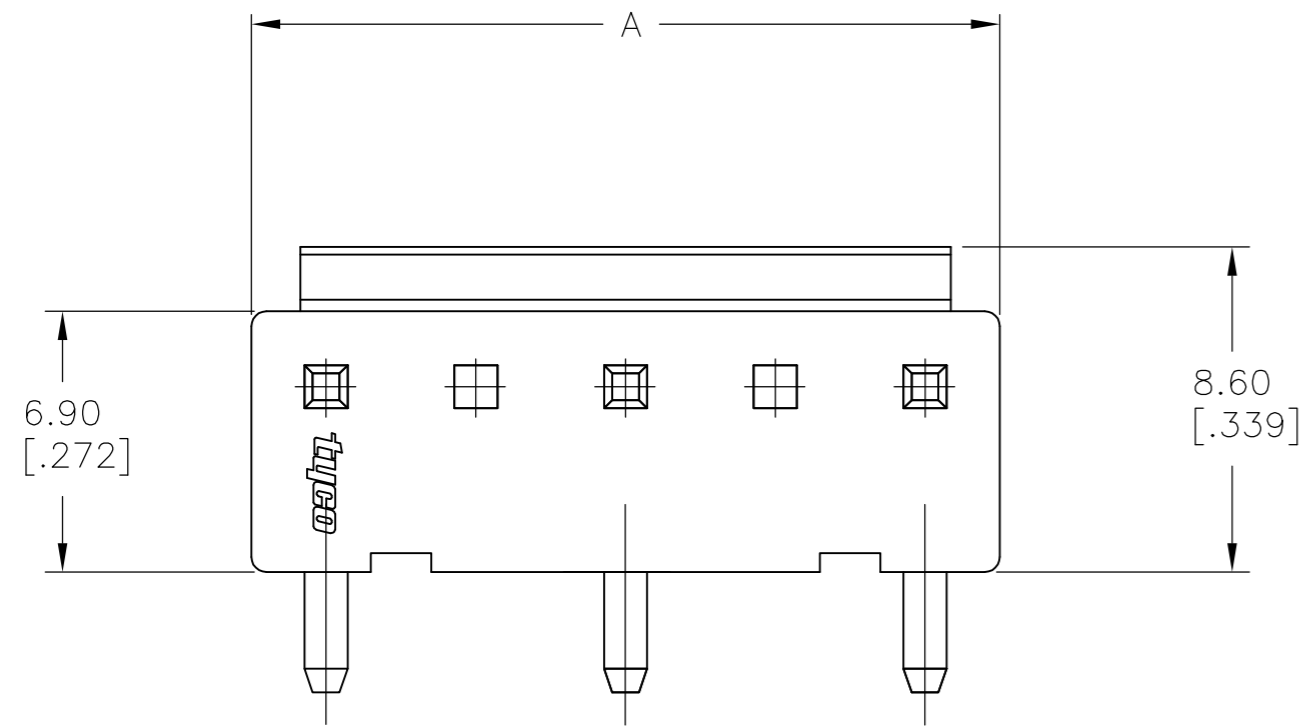


THIS DRAWING IS UNPUBLISHED. RELEASED FOR PUBLICATION
 © COPYRIGHT BY TYCO ELECTRONICS CORPORATION. ALL INTERNATIONAL RIGHTS RESERVED.

LOC		DIST		REVISIONS			
P	LTR	DESCRIPTION		DATE	DWN	APVD	
GP	00	E		REV PER ECO-09-018042	04AUG2009	CR	CR



1. HOUSING MATERIAL: THERMOPLASTIC NYLON 66, UL94V-0 NATURAL
2. CONTACT MATERIAL: BRASS
3. CONTACT PLATING: 80u" TIN PLATED ON CONTACT AREA.

2, 4	19.80	[.780]	1744336-1
POST NO. OMITTED	mm	[IN]	PART NUMBER
DIM A ±0.30			

THIS DRAWING IS A CONTROLLED DOCUMENT.		DWN K. WHITAKER 29MAY2008	Tyco Electronics Corporation Harrisburg, PA 17105-3608	
DIMENSIONS: mm [INCHES]		CHK S. RIDGILL 29MAY2008	NAME S. RIDGILL 29MAY2008	
TOLERANCES UNLESS OTHERWISE SPECIFIED: 0 PLC ± - 1 PLC ± - 2 PLC ± - 3 PLC ± 0.13 [.005] 4 PLC ± - ANGLES ± -		APVD S. RIDGILL 29MAY2008	PRODUCT SPEC APPLICATION SPEC	
MATERIAL SEE NOTES		FINISH -	WEIGHT -	RESTRICTED TO -
CUSTOMER DRAWING		SCALE 5:1	SHEET 1 of 1	REV E

METRIC

单击下面可查看定价，库存，交付和生命周期等信息

[>>TE Connectivity\(泰科\)](#)