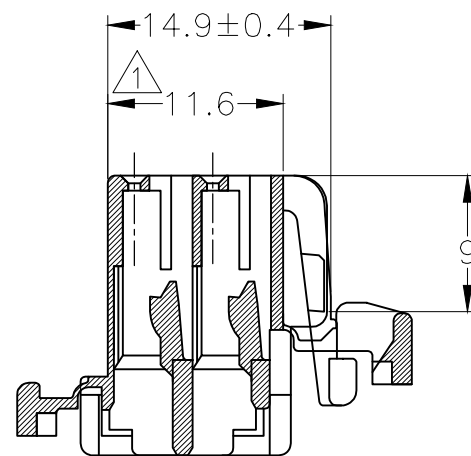
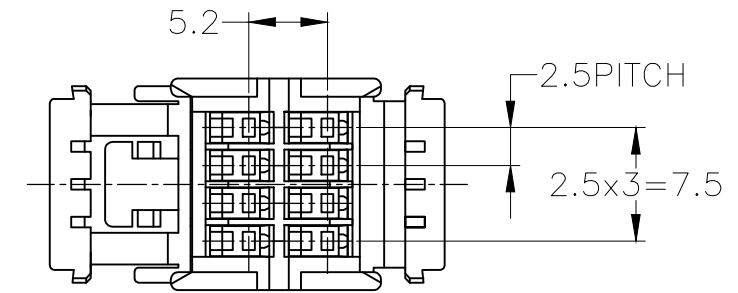
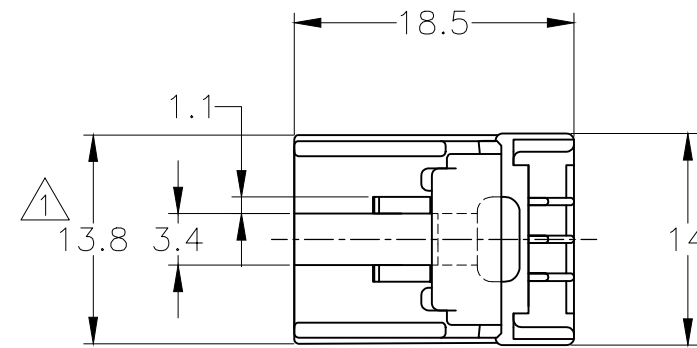
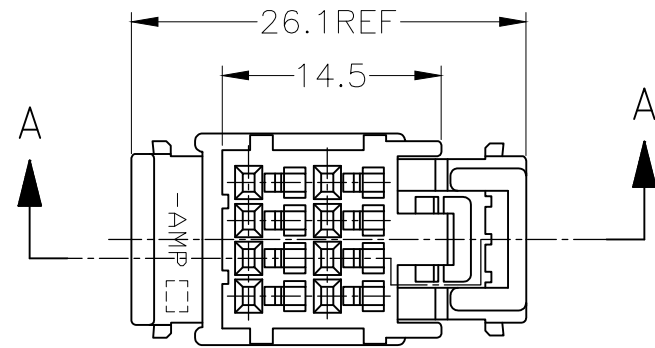
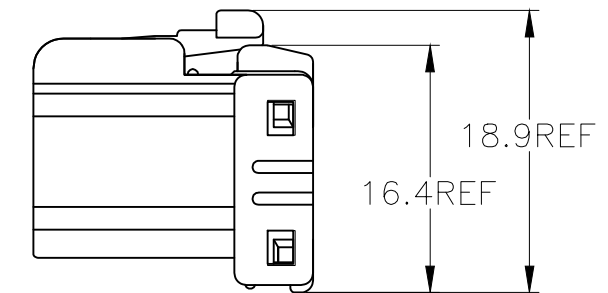
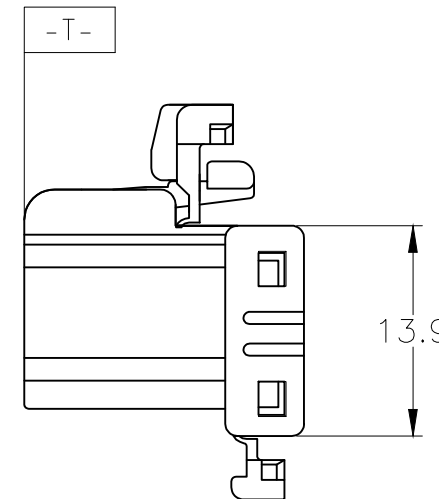


P	LTR	DESCRIPTION	DATE	DWN	APVD
D4	OBSOLETE	-5 ECR-20-007046	11NOV2020	PSJ	TM



A-A



DOUBLE LOCKED
二重ロック時

- ① TO BE MEASURED WITHIN 2mm FROM [-T-]
 2. APPLICABLE PRODUCT SPECIFICATION NUMBER: 108-5244
 3. APPLICABLE INSTRUCTION SHEET NUMBER: 411-5883
 4. APPLICABLE CONTACT PART NUMBER: 173681, 175180
 5. THE MATING CAP HOUSING NUMBERS: 174971, 174049, 176121 AND 178455

- ① [-T-] 面より 2mm の範囲で測定
 2. 適用製品規格番号: 108-5244
 3. 適用取扱説明書番号: 411-5883
 4. 適用端子型番: 173681, 175180
 5. 嵌合相手ハウジング型番: 174971, 174049, 176121 AND 178455

TOLERANCE UNLESS OTHERWISE SPECIFIED: 一般公差	
0 < x ≤ 10	±0.2
10 < x ≤ 30	±0.25
30 < x ≤ 100	±0.3
ANGLE ; 角度	±3°

THIS DRAWING IS A CONTROLLED DOCUMENT.		
DIMENSIONS: mm	TOLERANCES UNLESS OTHERWISE SPECIFIED:	
0 PLC ± - 1 PLC ± - 2 PLC ± - 3 PLC ± - 4 PLC ± - ANGLES ± - FINISH -		
	MATERIAL	PBT

DWN	T.SHINOHARA	04FEB2013
CHK	K.BETSUI	04FEB2013
APVD	K.BETSUI	04FEB2013
PRODUCT SPEC	SEE NOTE 2	
APPLICATION SPEC	-	
WEIGHT	2.3 g	

TE Connectivity		NAME		RESTRICTED TO	
		040 SERIES MULTI-LOCK CONNECTOR 8POSITION PLUG HOUSING		-	
SIZE	CAGE CODE	DRAWING NO	RESTRICTED TO		
A3	00779	C-174044	-		
CUSTOMER DRAWING		SCALE	SHEET	REV	
		2:1	1 OF 1	D4	

OBSOLETE	BLUE	174044-5
	NATURAL	174044-1
	BLACK	174044-2
	COLOR	PART NUMBER

单击下面可查看定价，库存，交付和生命周期等信息

[>>TE Connectivity\(泰科\)](#)