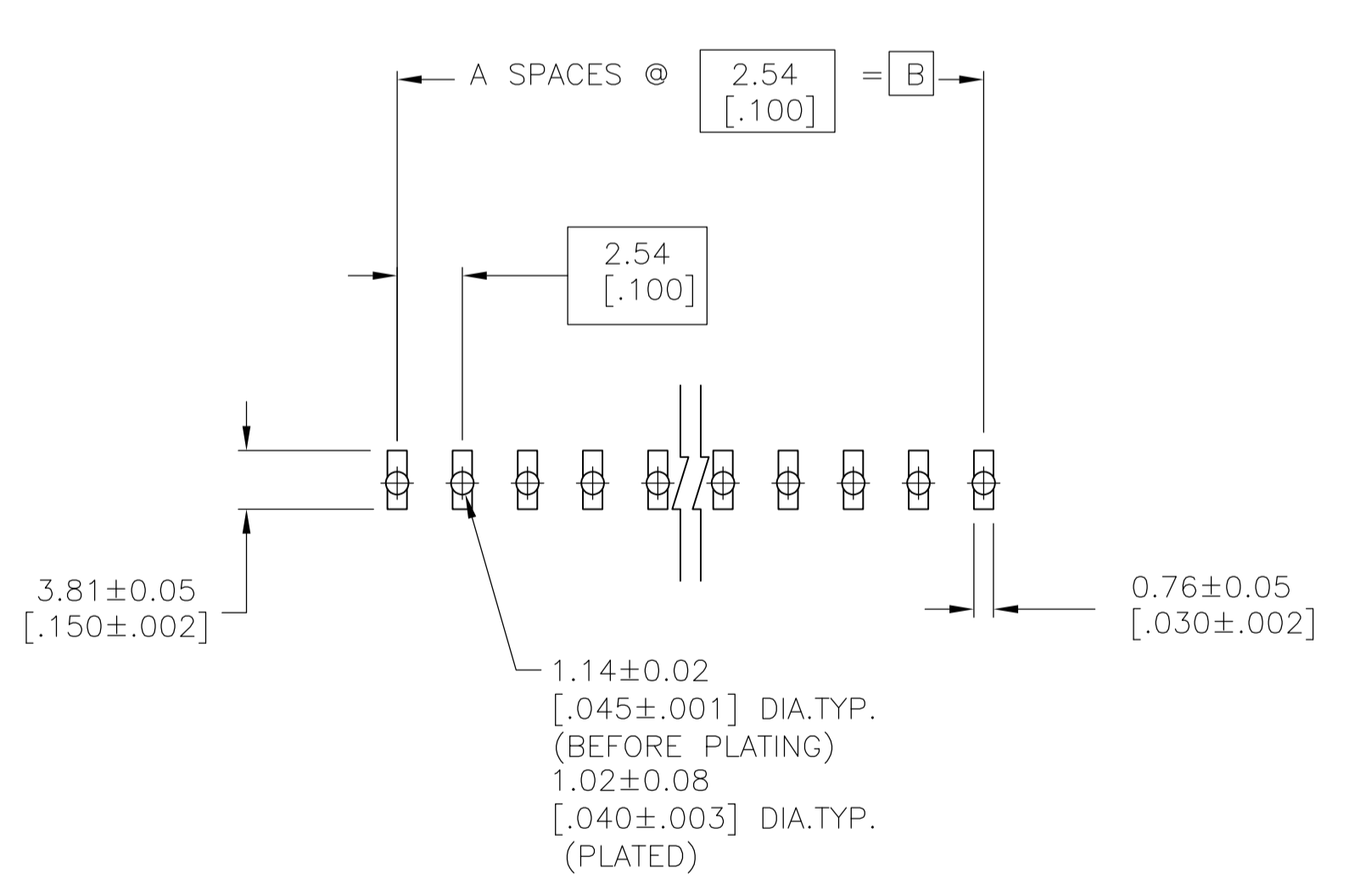
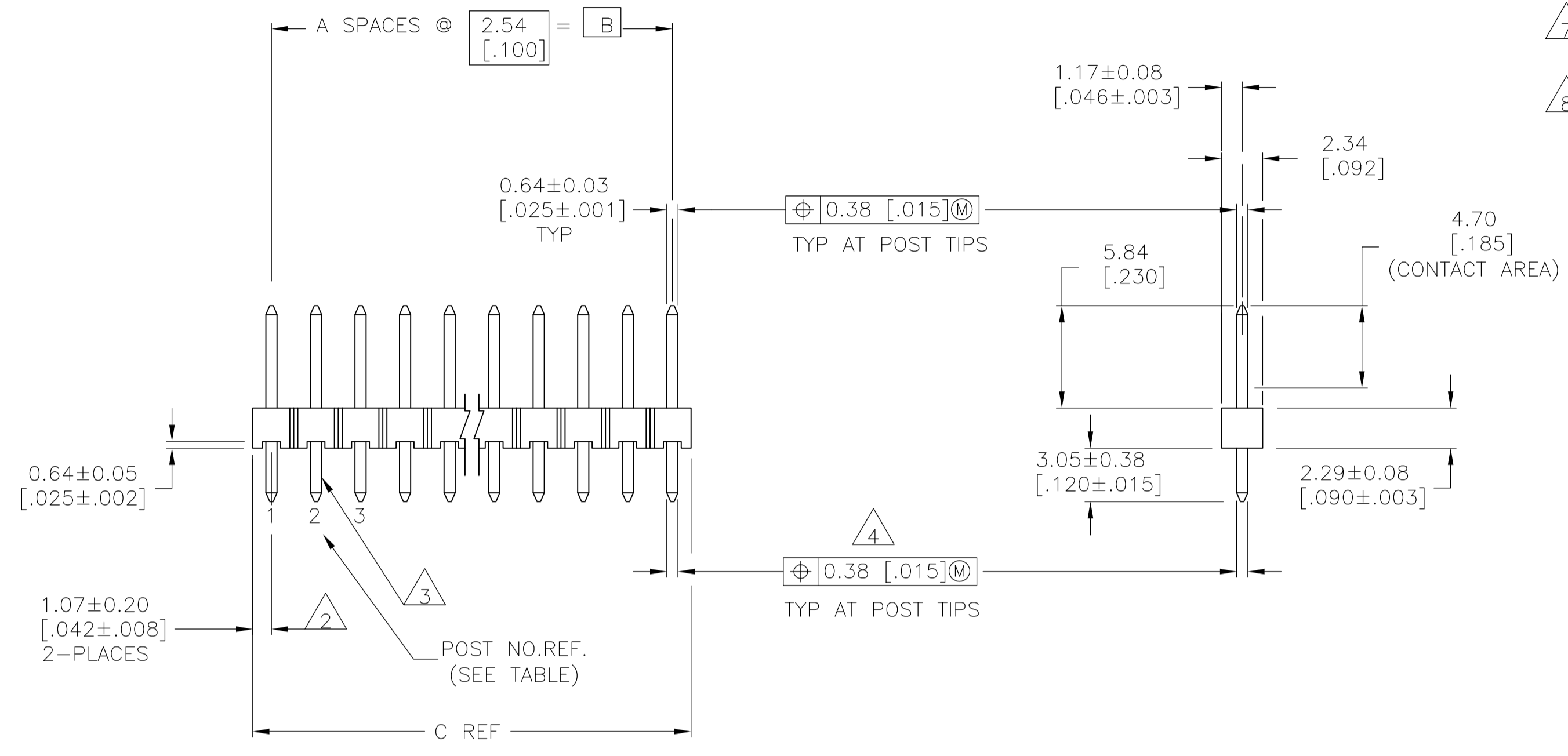


LOC		DIST		REVISIONS			
AD	00	REV	PER	ECO	DATE	DMN	APVO
J		REVISED	PER	ECO-14-000255	16JUL2014	NK	MM

- TRUE POSITION TOLERANCE OF THE POST TIPS APPLIES WHEN THE HEADERS ARE HELD FLAT AGAINST THE PRINTED CIRCUIT BOARD.
- THE NOTED DIMENSIONS APPLY AT THE INTERSECTION OF THE POST AND THE HOUSING.
- RETENTION FEATURES ON SOLDER TAILS, LOCATED AT MANUFACTURERS OPTION.
- $\varnothing .020\text{M}$  FOR KINKED TAILS.
- 0.000127 [.000005] GOLD IN CONTACT AREA, 0.00254-0.00504 [.000100-.000200] MATTE TIN-LEAD ON SOLDER TAIL, ALL OVER 0.00127 [.000050] NICKEL.
- HOUSING: LCP, COLOR-BLACK. POSTS: COPPER ALLOY.
- 0.000127 [.000005] GOLD IN CONTACT AREA, 0.00254-0.00504 [.000100-.000200] MATTE TIN ON SOLDER TAIL, ALL OVER 0.00127 [.000050] NICKEL.
- OBSOLETE PARTS: OBSOLETE CIS STREAMLINING PER D.RENAUD/D.SINISI



RECOMMENDED PC BOARD MOUNTING DIMENSIONS FOR .063 [.160] THICK PC BOARD AND .012 [.305] STENCIL THICK.

REV	DATE	DESCRIPTION	BY	CHK	APPV	REV	DATE	DESCRIPTION	BY	CHK	APPV
5	101.19	99.06	39	40	4-146291-0						
5	98.65	96.52	38	39	3-146291-9						
5	96.11	93.98	37	38	3-146291-8						
5	93.57	91.44	36	37	3-146291-7						
5	91.03	88.90	35	36	3-146291-6						
5	88.49	86.36	34	35	3-146291-5						
5	85.95	83.82	33	34	3-146291-4						
5	83.41	81.28	32	33	3-146291-3						
5	80.87	78.74	31	32	3-146291-2						
5	78.33	76.20	30	31	3-146291-1						
5	75.79	73.66	29	30	3-146291-0						
5	73.25	71.12	28	29	2-146291-9						
5	70.71	68.58	27	28	2-146291-8						
5	68.17	66.04	26	27	2-146291-7						
5	65.63	63.5	25	26	2-146291-6						
5	63.09	60.96	24	25	2-146291-5						
5	60.55	58.42	23	24	2-146291-4						
5	58.01	55.88	22	23	2-146291-3						
5	55.47	53.34	21	22	2-146291-2						
5	52.93	50.80	20	21	2-146291-1						
5	50.39	48.26	19	20	2-146291-0						
5	47.85	45.72	18	19	1-146291-9						
5	45.31	43.18	17	18	1-146291-8						
5	42.77	40.64	16	17	1-146291-7						
5	40.23	38.10	15	16	1-146291-6						
5	37.69	35.56	14	15	1-146291-5						
5	35.15	33.02	13	14	1-146291-4						
5	32.61	30.48	12	13	1-146291-3						
5	30.07	27.94	11	12	1-146291-2						
5	27.53	25.40	10	11	1-146291-1						
5	24.99	22.86	9	10	1-146291-0						
5	22.45	20.32	8	9	146291-9						
5	19.91	17.78	7	8	146291-8						
5	17.37	15.24	6	7	146291-7						
5	14.83	12.70	5	6	146291-6						
5	12.29	10.16	4	5	146291-5						
5	9.75	7.62	3	4	146291-4						
5	7.21	5.08	2	3	146291-3						
5	4.67	2.54	1	2	146291-2						
5	2.13	-	0	1	146291-1						

SUPERSEDED BY 146267-1  
OBSOLETE


THIS DRAWING IS A CONTROLLED DOCUMENT.

DIMENSIONS: mm [INCHES]	TOLERANCES UNLESS OTHERWISE SPECIFIED:	DIN T. HOFFMAN 12/6/95	CHK G. DUBNICZKI 2/1/96	APVO G. DUBNICZKI 2/1/96	NAME: HEADER ASSEMBLY, MOD II, BREAKAWAY, SINGLE ROW, HIGH TEMPERATURE, VERTICAL WITH RETENTION FEATURE, W/.025 SQ. POSTS, .100 C/L
0 PLC ± -	1 PLC ± -	2 PLC ± 0.51[.02]	3 PLC ± 0.12[.005]	4 PLC ± 0.012[.0005]	APPLICATION SPEC
MATERIAL	FINISH SEE TABLE	WEIGHT	SIZE: A1	CAGE CODE: 00779	DRAWING NO: 146291
CUSTOMER DRAWING		SCALE: 4:1	SHEET: 1 OF 2	REV: J	RESTRICTED TO

STE TE Connectivity

7	101.19	99.06	39	40	9-146291-0
7	3.984	3.900			
7	98.65	96.52	38	39	8-146291-9
7	3.884	3.800			
7	96.11	93.98	37	38	8-146291-8
7	3.784	3.700			
7	93.57	91.44	36	37	8-146291-7
7	3.684	3.600			
7	91.03	88.90	35	36	8-146291-6
7	3.584	3.500			
7	88.49	86.36	34	35	8-146291-5
7	3.484	3.400			
7	85.95	83.82	33	34	8-146291-4
7	3.384	3.300			
7	83.41	81.28	32	33	8-146291-3
7	3.284	3.200			
7	80.87	78.74	31	32	8-146291-2
7	3.184	3.100			
7	78.33	76.20	30	31	8-146291-1
7	3.084	3.000			
7	75.79	73.66	29	30	8-146291-0
7	2.984	2.900			
7	73.25	71.12	28	29	7-146291-9
7	2.884	2.800			
7	70.71	68.58	27	28	7-146291-8
7	2.784	2.700			
7	68.17	66.04	26	27	7-146291-7
7	2.684	2.600			
7	65.63	63.5	25	26	7-146291-6
7	2.584	2.500			
7	63.09	60.96	24	25	7-146291-5
7	2.484	2.400			
7	60.55	58.42	23	24	7-146291-4
7	2.384	2.300			
7	58.01	55.88	22	23	7-146291-3
7	2.284	2.200			
7	55.47	53.34	21	22	7-146291-2
7	2.184	2.100			
7	52.93	50.80	20	21	7-146291-1
7	2.084	2.000			
7	50.39	48.26	19	20	7-146291-0
7	1.984	1.900			
7	47.85	45.72	18	19	6-146291-9
7	1.884	1.800			
7	45.31	43.18	17	18	6-146291-8
7	1.784	1.700			
7	42.77	40.64	16	17	6-146291-7
7	1.684	1.600			
7	40.23	38.10	15	16	6-146291-6
7	1.584	1.500			
7	37.69	35.56	14	15	6-146291-5
7	1.484	1.400			
7	35.15	33.02	13	14	6-146291-4
7	1.384	1.300			
7	32.61	30.48	12	13	6-146291-3
7	1.284	1.200			
7	30.07	27.94	11	12	6-146291-2
7	1.184	1.100			
7	27.53	25.40	10	11	6-146291-1
7	1.084	1.000			
7	24.99	22.86	9	10	6-146291-0
7	.984	.900			
7	22.45	20.32	8	9	5-146291-9
7	.884	.800			
7	19.91	17.78	7	8	5-146291-8
7	.784	.700			
7	17.37	15.24	6	7	5-146291-7
7	.684	.600			
7	14.83	12.70	5	6	5-146291-6
7	.584	.500			
7	12.29	10.16	4	5	5-146291-5
7	.484	.400			
7	9.75	7.62	3	4	5-146291-4
7	.384	.300			
7	7.21	5.08	2	3	5-146291-3
7	.284	.200			
	PLATING			NO OF POSITIONS	PART NUMBER
	C	B	A		

OBSOLETE

THIS DRAWING IS A CONTROLLED DOCUMENT.		DIN T. HOFFMAN 12/6/95	 TE Connectivity
DIMENSIONS: mm [INCHES]		CHK G. DUBNICZKI 2/1/96	
TOLERANCES UNLESS OTHERWISE SPECIFIED:		APPRO G. DUBNICZKI 2/1/96	NAME HEADER ASSEMBLY, MOD II, BREAKAWAY, SINGLE ROW. HIGH TEMPERATURE, VERTICAL WITH RETENTION FEATURE, W/.025 SQ. POSTS, .100 C/L
0 PLC ± -	1 PLC ± -	APPLICATION SPEC	SIZE A1
2 PLC ± -	3 PLC ± -	WEIGHT	CAGE CODE 00779
4 PLC ± -	ANGLES ± -	FINISH SEE TABLE	DRAWING NO 146291
MATERIAL		CUSTOMER DRAWING	RESTRICTED TO
		SCALE 4:1	SHEET 2 OF 2
		REV	J

单击下面可查看定价，库存，交付和生命周期等信息

[>>TE Connectivity\(泰科\)](#)