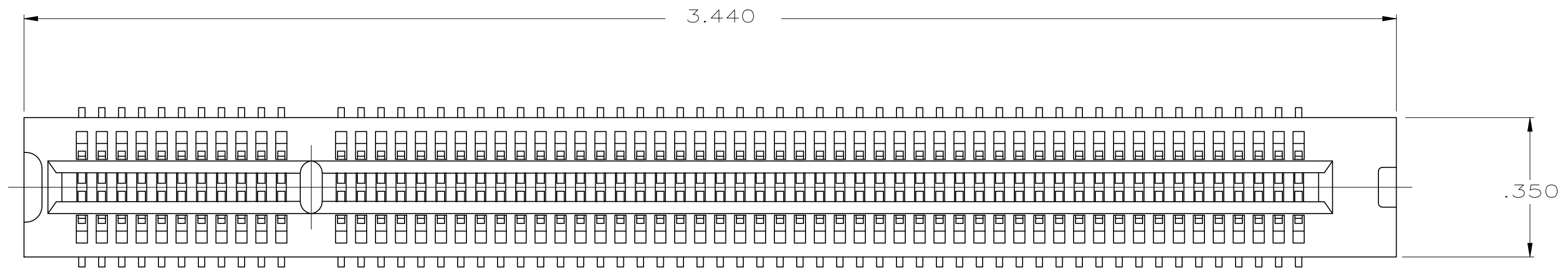
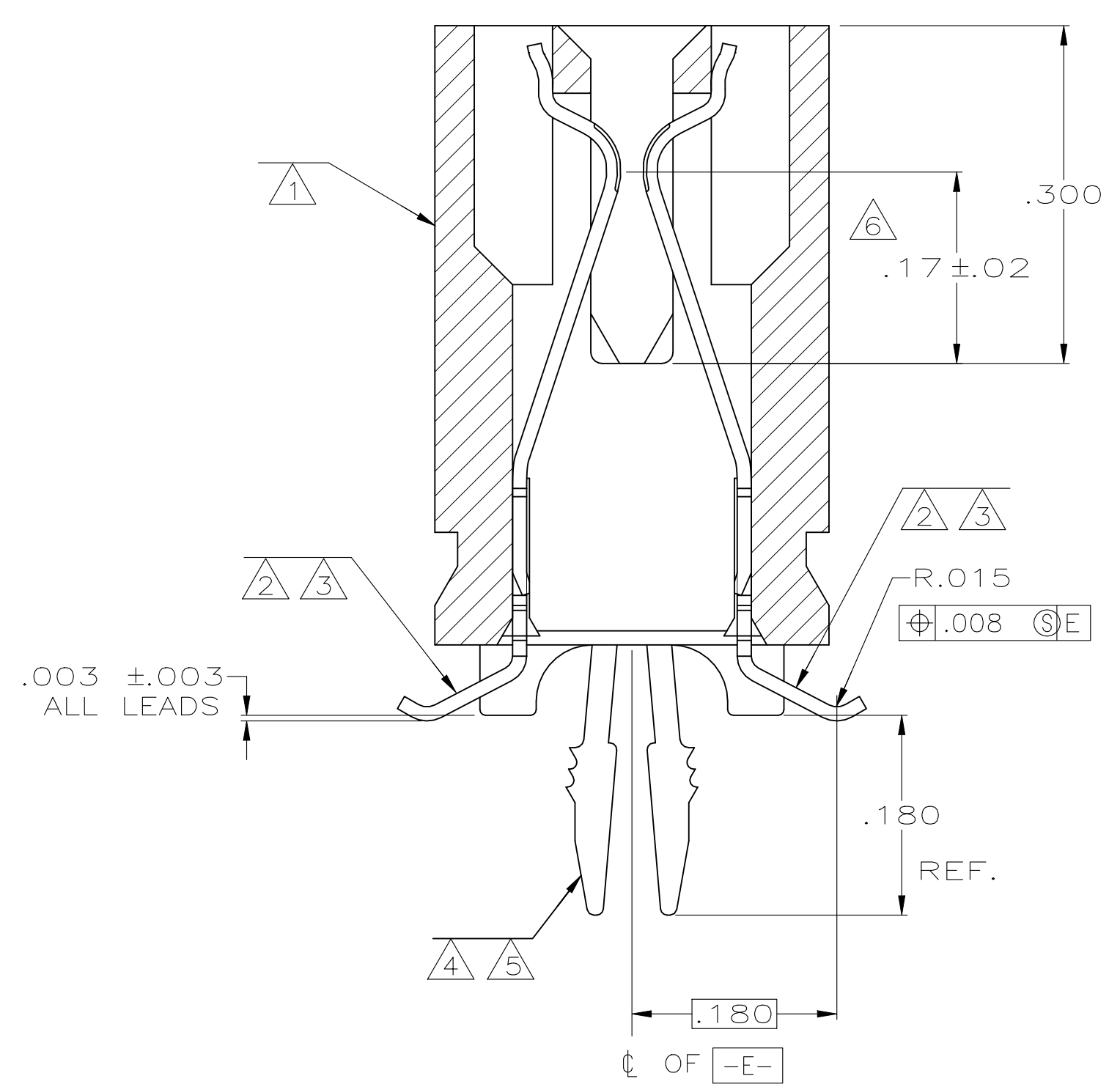
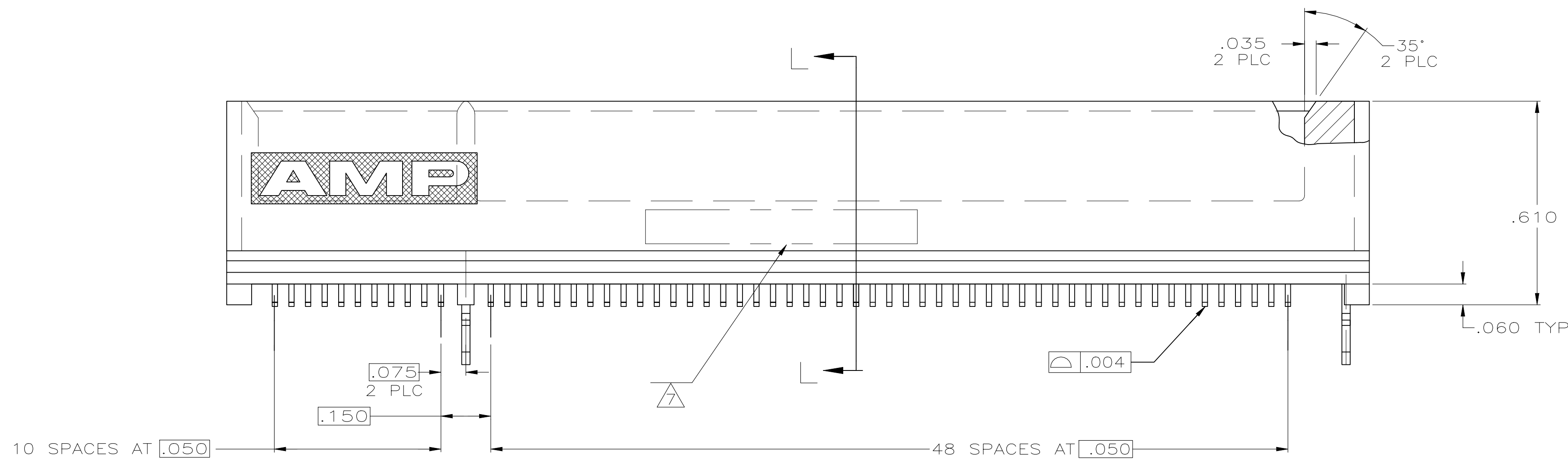


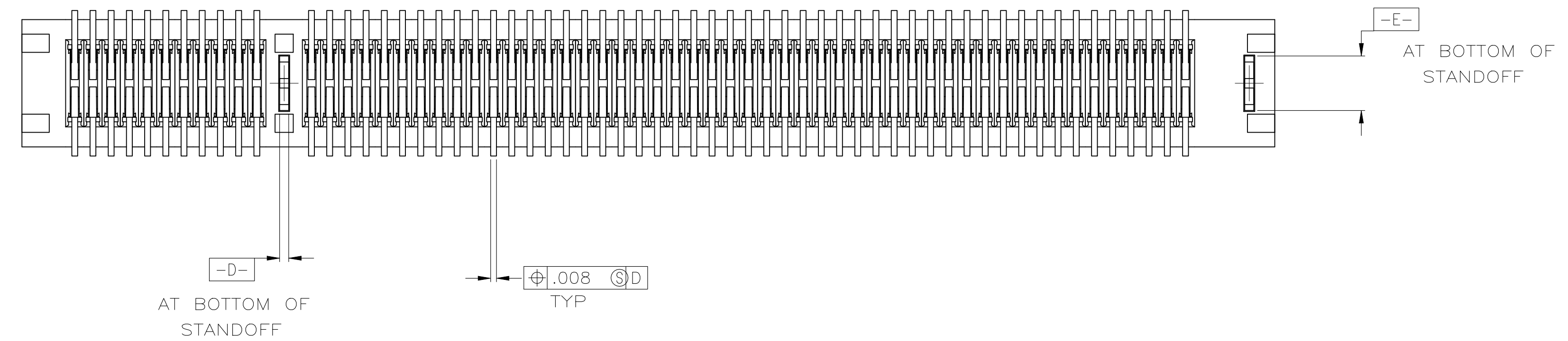
REVISIONS					
P	LTR	DESCRIPTION	DATE	DN	APVD
S		ECC-21-008022	30AUG2021	TL	HL



- ① HOUSING: HIGH TEMPERATURE THERMOPLASTIC.
- ② CONTACT: PHOSPHOR BRONZE.
- ③ CONTACT FINISH: .000100 MIN NICKEL ALL OVER, .000030 MIN GOLD OVER NICKEL IN CONTACT AREA, .000100 MIN MATTE TIN OVER NICKEL ON SOLDER TAILS.
- ④ METAL HOLD DOWN: BRASS
- ⑤ METAL HOLD DOWN FINISH: .000050 MIN NICKEL ALL OVER, .000150 MIN MATTE TIN ALL OVER.
- ⑥ DISTANCE FROM CONTACT POINT TO BOTTOM OF CARD SLOT.
- ⑦ AMP PART NUMBER, DATE CODE AND CSA LOGO MARKED IN APPROXIMATE AREA SHOWN.



SECTION L-L
SCALE 8:1



PACKAGE 2	5145098-2
PACKAGE 1	5145098-1
PACKAGE	PART NO.

THIS DRAWING IS A CONTROLLED DOCUMENT.

DIMENSIONS: INCHES	TOLERANCES UNLESS OTHERWISE SPECIFIED:	0 PLC ± .005	1 PLC ± .005	2 PLC ± .005	3 PLC ± .005	4 PLC ± .005	ANGLES ± .2°
--------------------	--	--------------	--------------	--------------	--------------	--------------	--------------

MATERIAL	FINISH	APPROVALS	DATE
①②③④	③⑤	AL FRANTUM	09 JUN 05
AL FRANTUM	09 JUN 05	AL FRANTUM	09 JUN 05

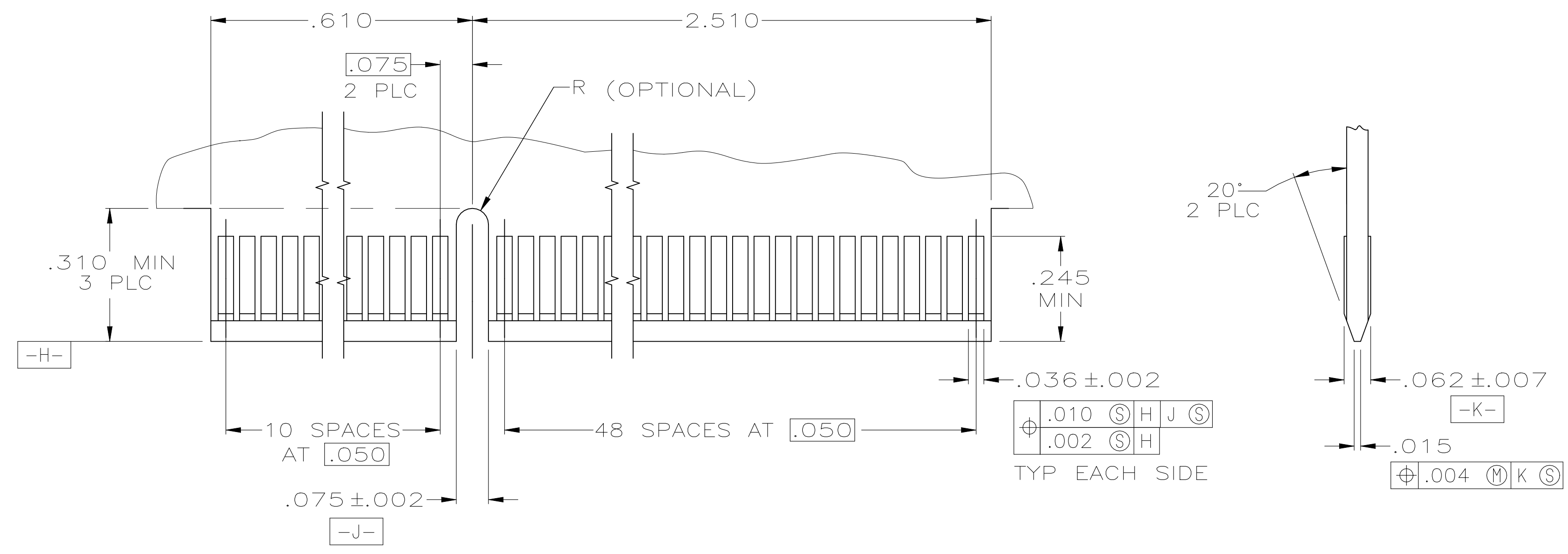
PRODUCT SPEC: 108-14034
APPLICATION SPEC: 114-13148
WEIGHT: 0

TE Connectivity Ltd.
CONNECTOR ASSEMBLY, 60 DUAL POSITION, .050 SERIES, STANDARD EDGE, SURFACE MOUNT

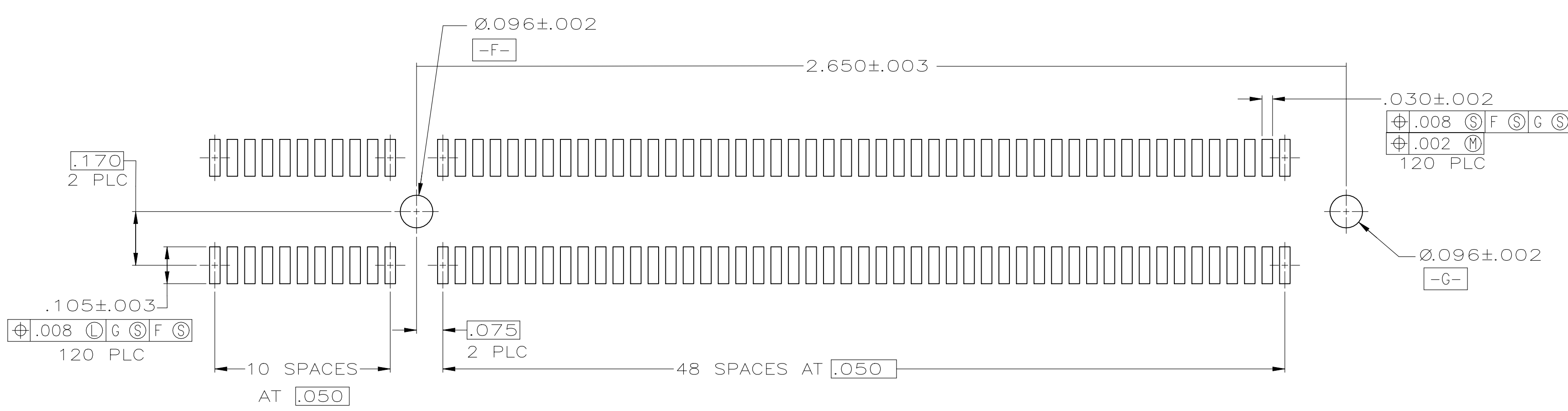
SIZE: A1
CAGE CODE: 00779
DRAWING NO: 5145098
CUSTOMER DRAWING

SCALE: 4:1
SHEET: 1 of 3
REV: S

REVISIONS				
P	LTR	DESCRIPTION	DATE	APVD
-		SEE SHEET 1	-	-



RECOMMENDED MATING BOARD EDGE CONFIGURATION

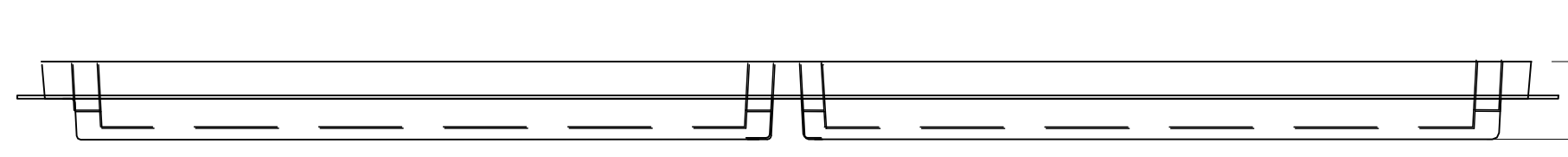
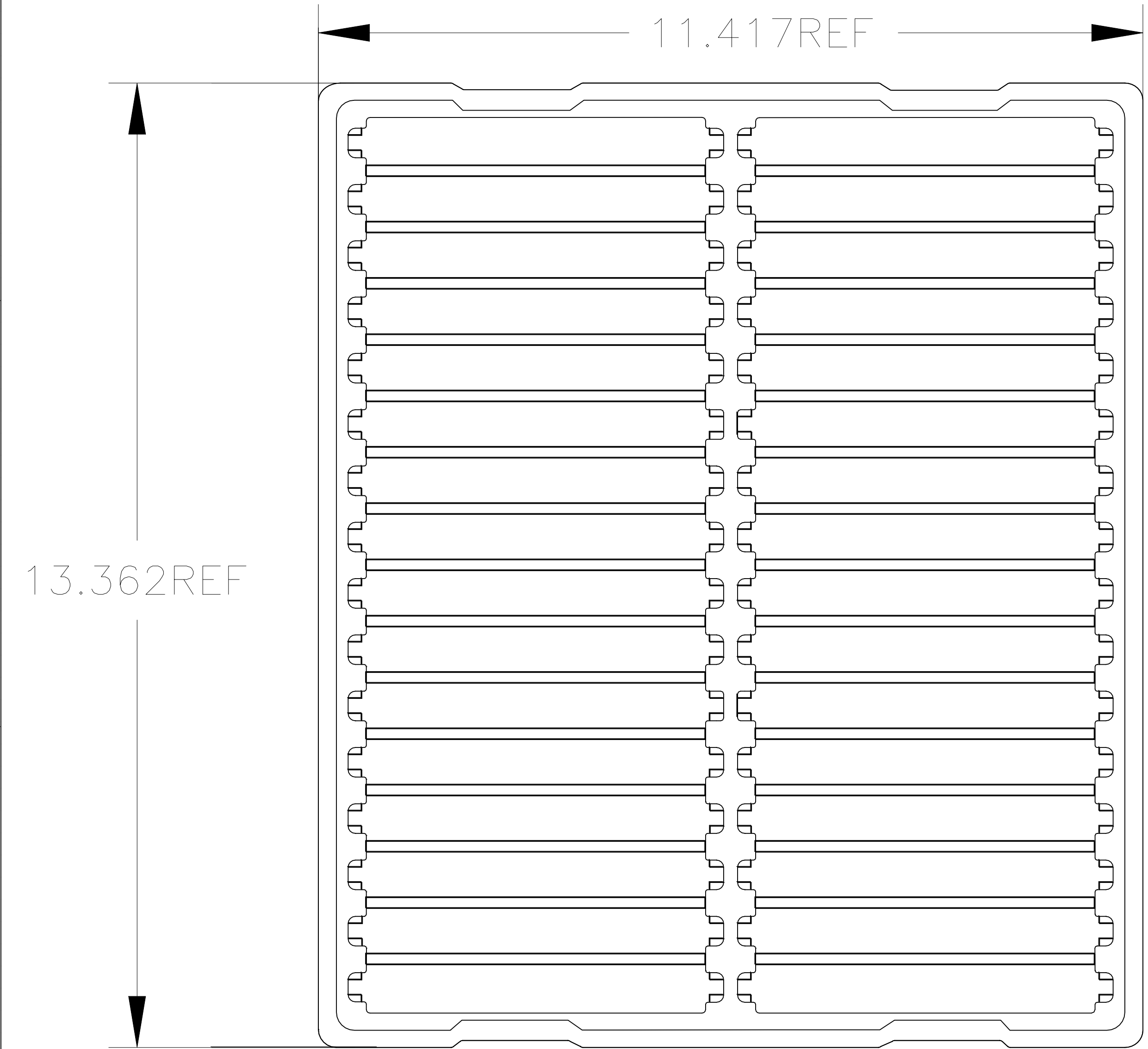


RECOMMENDED PC BOARD PATTERN
(CONNECTOR SIDE SHOWN)

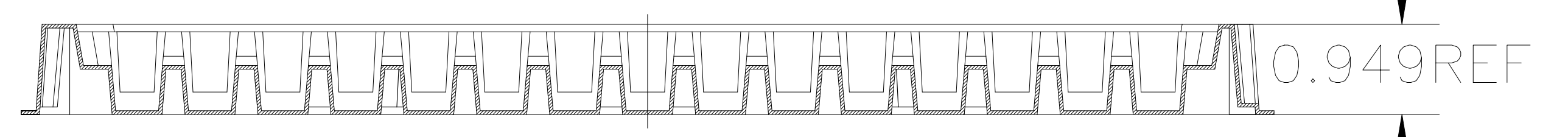
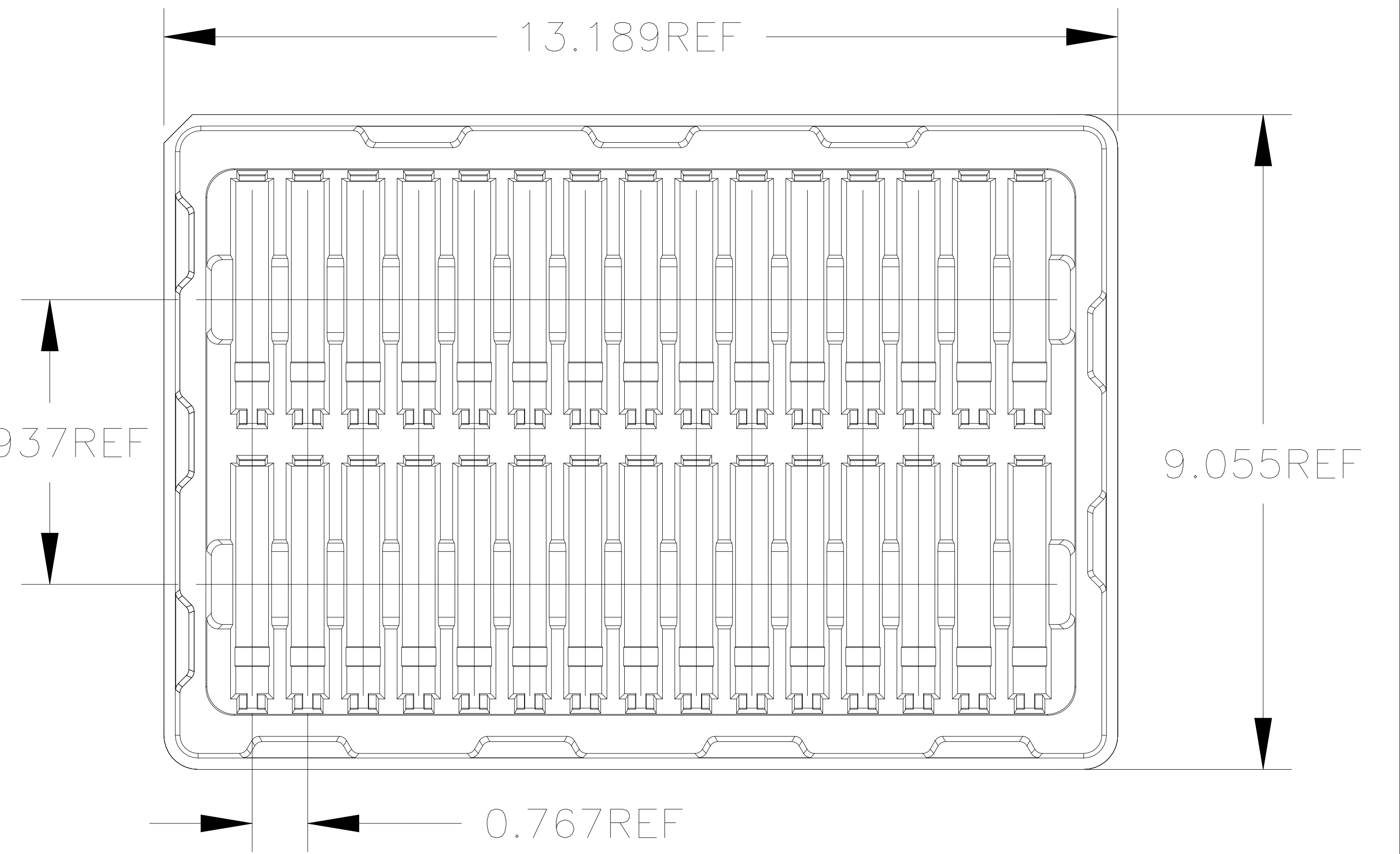
38-2
38-1
NO.

THIS DRAWING IS A CONTROLLED DOCUMENT.		DIN AL FRANTUM 09 JUN 05	TE Connectivity Ltd.
		CHK AL FRANTUM 09 JUN 05	
DIMENSIONS:	TOLERANCES UNLESS OTHERWISE SPECIFIED:	APVD	NAME
INCHES			CONNECTOR ASSEMBLY, 60 DUAL POSITION, .050 SERIES, STANDARD EDGE, SURFACE MOUNT
	0 PLC ± -	PRODUCT SPEC	108-14034
	1 PLC ± -	APPLICATION SPEC	114-13148
	2 PLC ± -	SIZE	A1
	3 PLC ± .005	WEIGHT	00779
	4 PLC ± -	SCALE	4:1
	ANGLES ± ± 2°	SHEET	2 of 3
MATERIAL SEE SHEET 1	FINISH SEE SHEET 1	RESTRICTED TO	REV S
CUSTOMER DRAWING		SCALE	4:1

REVISIONS				
P	LTR	DESCRIPTION	DATE	APVD
-		SEE SHEET 1	-	-



PACKAGE 1



PACKAGE 2

THIS DRAWING IS A CONTROLLED DOCUMENT.		DWG: AL FRANTUM 09 JUN 05	TE Connectivity Ltd.	
		CHK: AL FRANTUM 09 JUN 05		
DIMENSIONS: INCHES 		TOLERANCES UNLESS OTHERWISE SPECIFIED: 0. PLC ± - 1. PLC ± - 2. PLC ± - 3. PLC ± .005 4. PLC ± - ANGLES ± °		NAME: CONNECTOR ASSEMBLY, 60 DUAL POSITION, .050 SERIES, STANDARD EDGE, SURFACE MOUNT PRODUCT SPEC: 108-14034 APPLICATION SPEC: 114-13148
MATERIAL: SEE SHEET 1	FINISH: SEE SHEET 1	WEIGHT: -	SIZE: A1	CAGE CODE: 00779 DRAWING NO: 5145098 CUSTOMER DRAWING
		SCALE: 4:1	SHEET: 3 OF 3	REV: S

单击下面可查看定价，库存，交付和生命周期等信息

[>>TE Connectivity\(泰科\)](#)