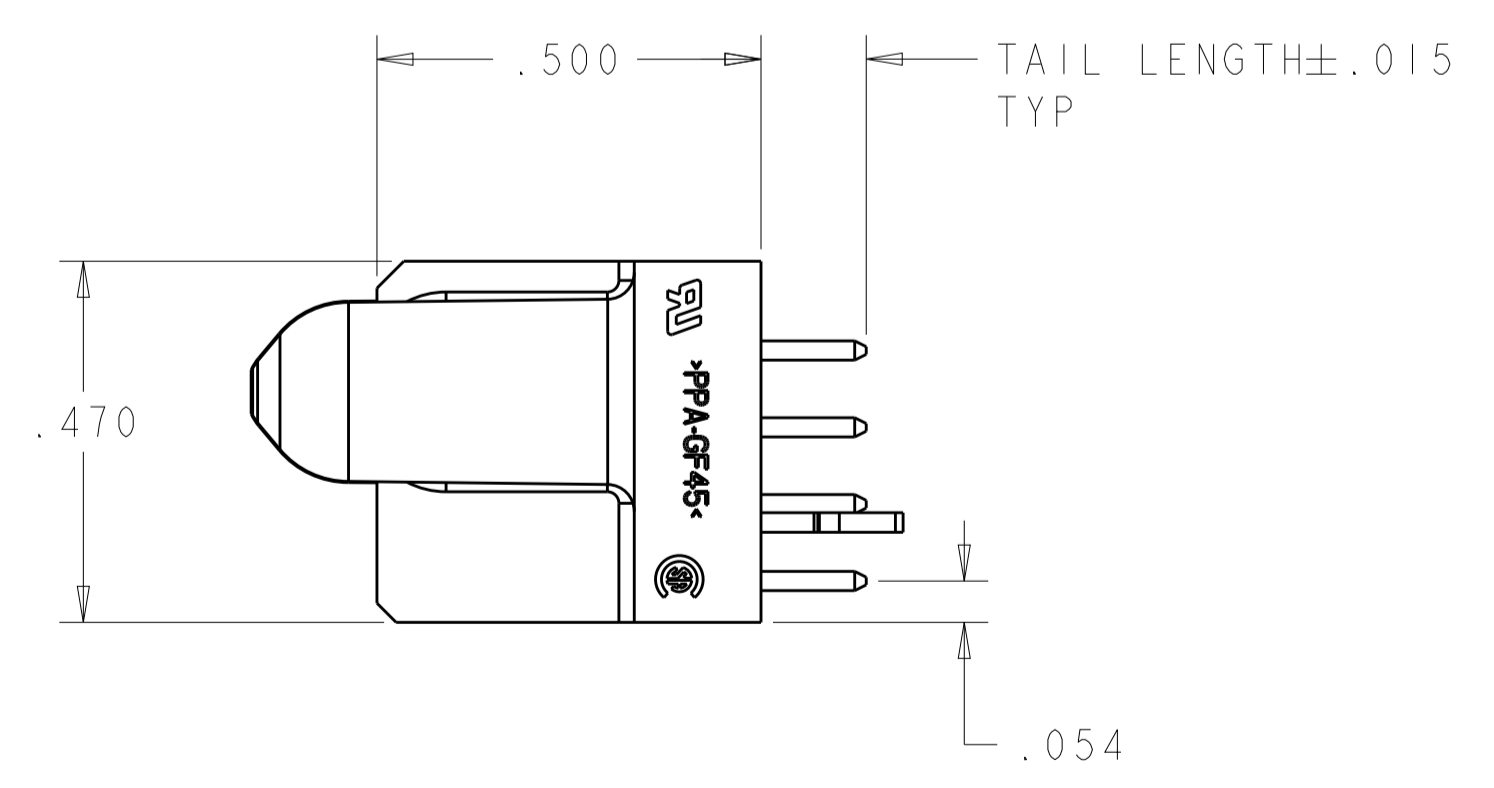
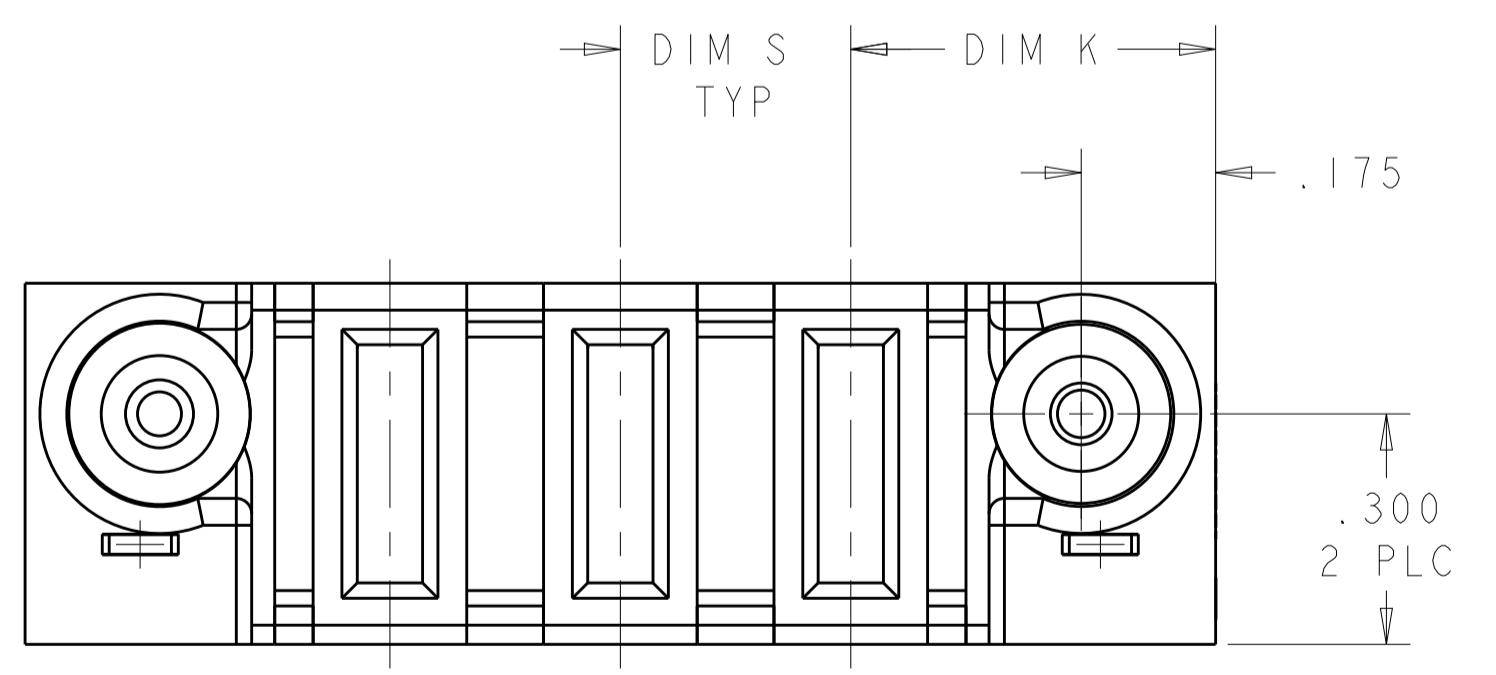
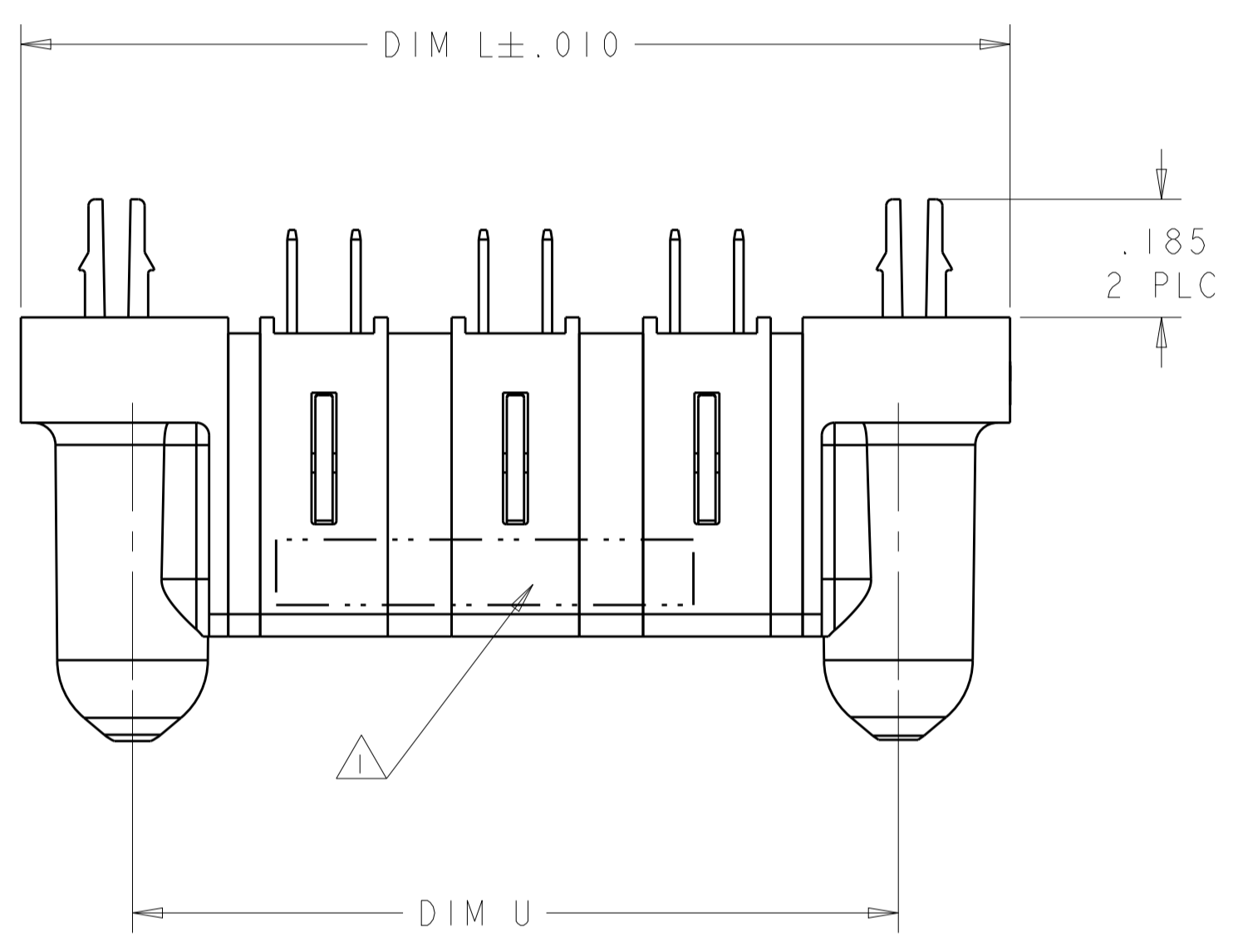
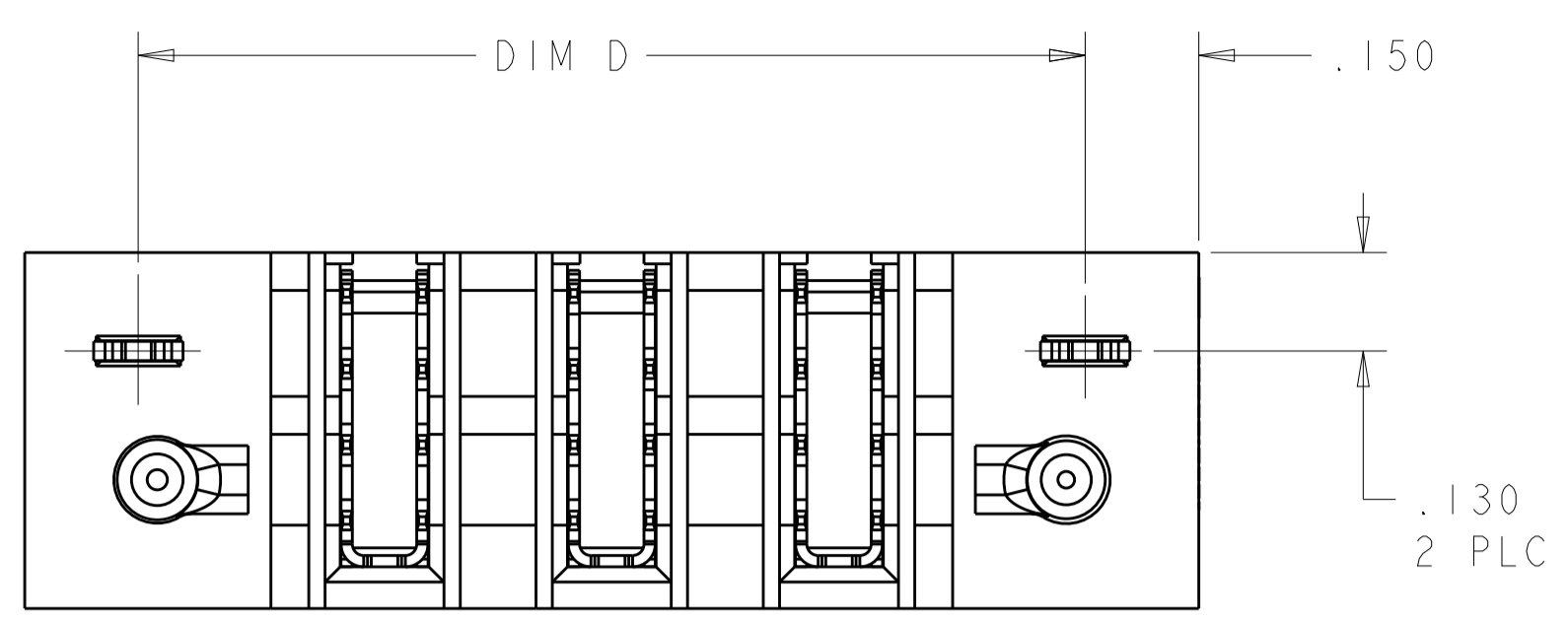


| LOC | DIST | REVISIONS |     |             |           |     |      |
|-----|------|-----------|-----|-------------|-----------|-----|------|
|     |      | P         | LTN | DESCRIPTION | DATE      | DWN | APVD |
| ES  | 00   | A2        |     | ADVISED     | 20MAR2013 | ML  | SZ   |



- ① "AMP", TRADEMARK, PART NUMBER AND DATE CODE TO BE MARKED IN AREA SHOWN
- ② MATERIAL: HOUSING - GLASS FILLED HIGH TEMP THERMO PLASTIC, UL94 V-0  
SIGNAL CONTACT - HIGH CONDUCTIVITY COPPER ALLOY  
POWER CONTACT - HIGH CONDUCTIVITY COPPER ALLOY
- ③ CONTACT PLATING: NOBLE METAL PLATING ON CONTACT FUNCTIONAL AREA OF SIGNAL AND POWER CONTACTS.
- ④ MECHANICAL CONNECTOR KEEP OUT ZONE
- ⑤ DATUM AND BASIC DIMENSIONS ESTABLISHED BY CUSTOMER
- ⑥ PCB - ALL HOLE DIAMETERS ARE FINISHED HOLE SIZES
- ⑦ PCB - .0453 ± .0010 DRILLED HOLES PLATED WITH .0003 MIN Sn OVER .001 TO .003 CU PLATING TO ACHIEVE A .040 ± .003 DIA HOLE
- ⑧ POWER CONTACT AREA LUBRICATED WITH LUBRICANT
- ⑨ NOT RELEASED FOR PRODUCTION.

|  |       |       |                             |       |   |             |
|--|-------|-------|-----------------------------|-------|---|-------------|
| 1.200                                  | .300  | 1.250 | 1.550                       | .475  | 3ACP  | 1892403-1   |
| DIM U                                  | DIM S | DIM D | DIM L                       | DIM K | DESCRIPTION   | PART NUMBER |
| THIS DRAWING IS A CONTROLLED DOCUMENT. |       |       | DWN: C.ZHOU ZOMAT2007       |       | TE Connectivity   |             |
| DIMENSIONS: INCHES                     |       |       | CHK: S.ZHAO S.YAO           |       |   |             |
| TOLERANCES UNLESS OTHERWISE SPECIFIED: |       |       | APVD: S.YAO                 |       | NAME: VERTICAL RECEPTACLE ASSEMBLY, WITH GUIDES MULTI-BEAM XL |             |
| 0 PLC ± .01                            |       |       | PRODUCT SPEC: 108-1973      |       | SIZE: A1  |             |
| 1 PLC ± .01                            |       |       | APPLICATION SPEC: 114-13038 |       | CAGE CODE: 1892403  |             |
| 2 PLC ± .005                           |       |       | WEIGHT: -                   |       | RESTRICTED TO: -  |             |
| 3 PLC ± .0020                          |       |       | Customer Drawing            |       | SCALE: 4:1 SHEET 1 OF 2 REV: A2                               |             |
| ANGLES: ± 7°                           |       |       |                             |       |   |             |
| FINISH: -                              |       |       |                             |       |   |             |



单击下面可查看定价，库存，交付和生命周期等信息

[>>TE Connectivity\(泰科\)](#)