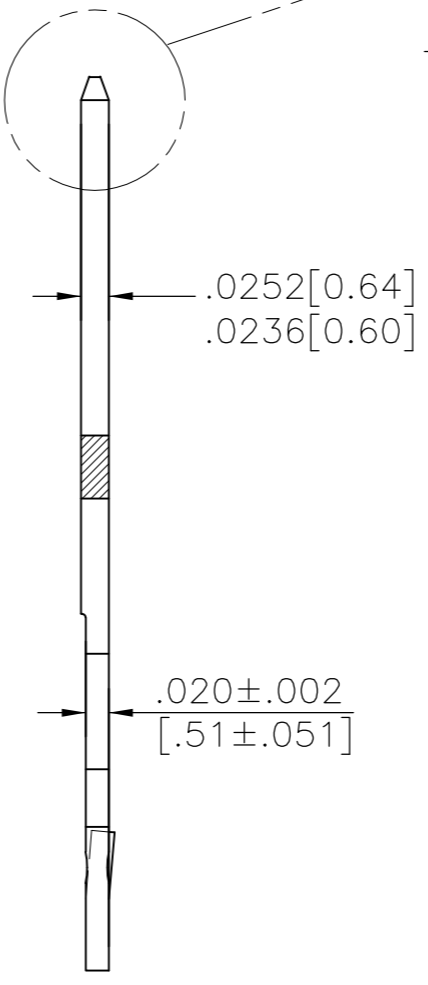
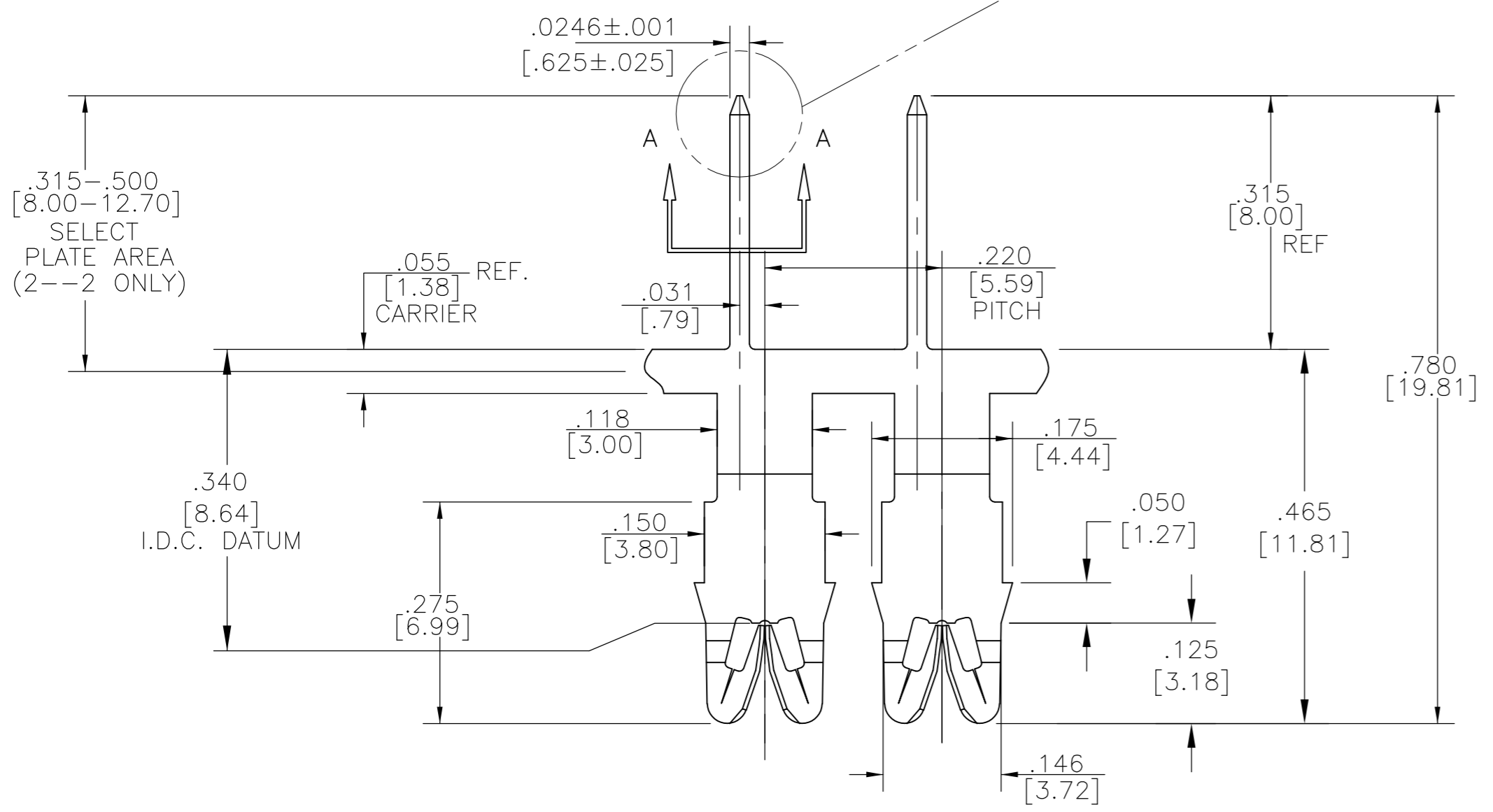
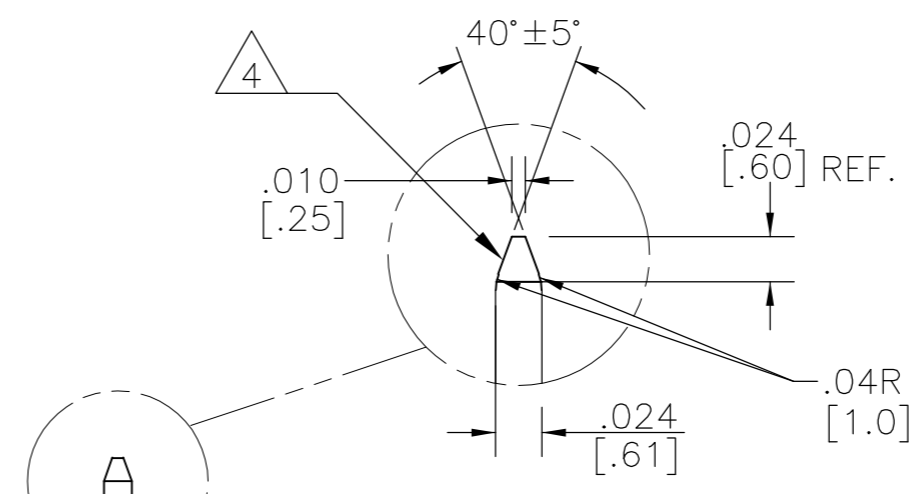
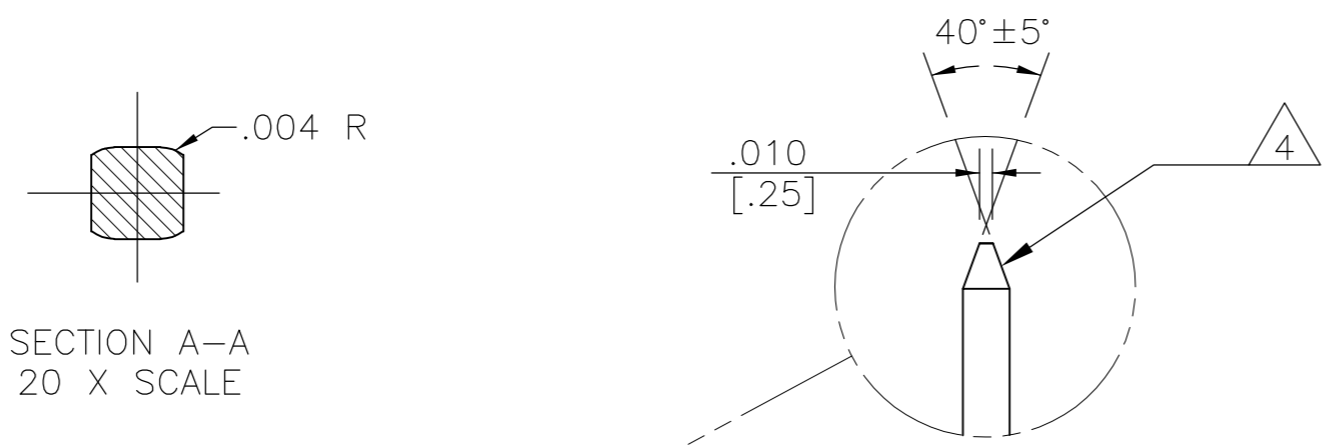
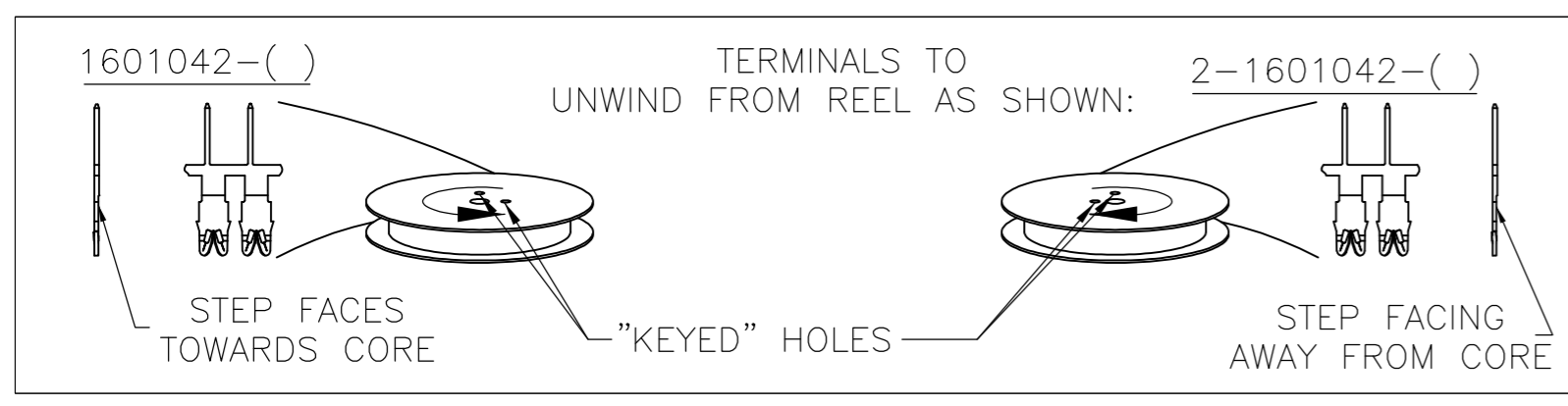
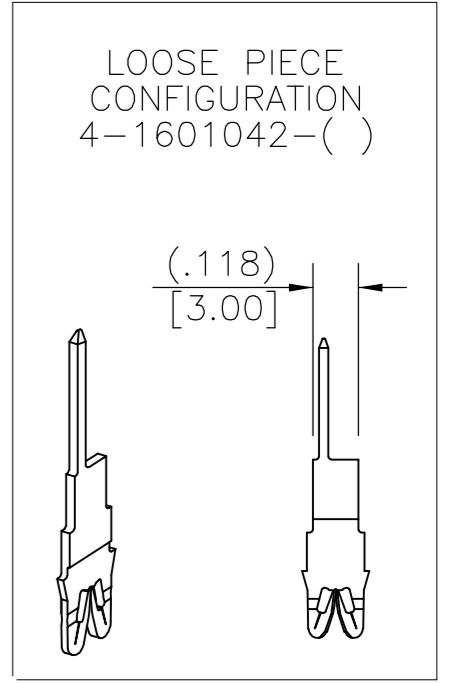


THIS DRAWING IS UNPUBLISHED. RELEASED FOR PUBLICATION  
 © COPYRIGHT - By - ALL RIGHTS RESERVED.

LOC		DIST		REVISIONS			
P	LTR	DESCRIPTION		DATE	DWN	APVD	
AF	50	C3	REVISED PER ECR-13-015346	03OCT2013	KH	GJ	



- 1 SPECIFICATIONS:  
MAGNET WIRE #18 - #34 AWG,  
.040"(1.02mm)-.006"(0.16mm) DIA COPPER.  
OTHER SIZES MAY BE ACCOMMODATED,  
CONSULT TYCO ELECTRONICS FOR APPROVAL.
- 2 POCKET RECOMMENDATION:  
#1601424
- 3 TERMINAL APPLICATION TO COMPLY WITH  
TYCO ELECTRONICS SPECIFICATION 114-13166.  
CONSULT TYCO ELECTRONICS ENGINEERING  
FOR THE PROPER INSERTION DEPTH.
- 4 TIP MAY BE RADIUSED WITHIN DIMENSIONS  
SHOWN AND HAVE CONVEX SIDES.
- 5 TWO(2) TERMINALS SHOWN FOR ILLUSTRATION  
PURPOSES ONLY
- 6 PRELIMINARY - NOT FOR PRODUCTION



-	-	-
-	-	-
-	-	-
PRE-TIN PLATE OVER NICKEL UNDERPLATE	-	2-1601042-3
SELECTIVE POST TIN PLATE OVER NICKEL UNDERPLATE	131-090-120	2-1601042-2
UNPLATED	131-089-000	1601042-1
FINISH	REFERENCE PART NUMBER	PART NUMBER

THIS DRAWING IS A CONTROLLED DOCUMENT.		DWN	J.WELLER	11JAN2002
DIMENSIONS: INCHES		CHK	M.FEHER	11JAN2002
TOLERANCES UNLESS OTHERWISE SPECIFIED:		APVD	K.RANDOLPH	11JAN2002
0 PLC	± -	NAME	TE Connectivity	
1 PLC	± -	PRODUCT SPEC	STANDARD WIRE RANGE TO OFFSET SQUARE PIN SIAMEZE TERMINAL	
2 PLC	± .01[0.25]	APPLICATION SPEC	108-2085	
3 PLC	± .005[0.13]	SIZE	A2	00779
4 PLC	± -	DRAWING NO	C=1601042	
ANGLES	± 2'	RESTRICTED TO	-	
MATERIAL	FINISH	WEIGHT	-	
BRASS, 3/4 HARD	SEE TABLE	CUSTOMER DRAWING	SCALE	1:1
		SHEET	1 of 1	
		REV	C3	

单击下面可查看定价，库存，交付和生命周期等信息

[>>TE Connectivity\(泰科\)](#)