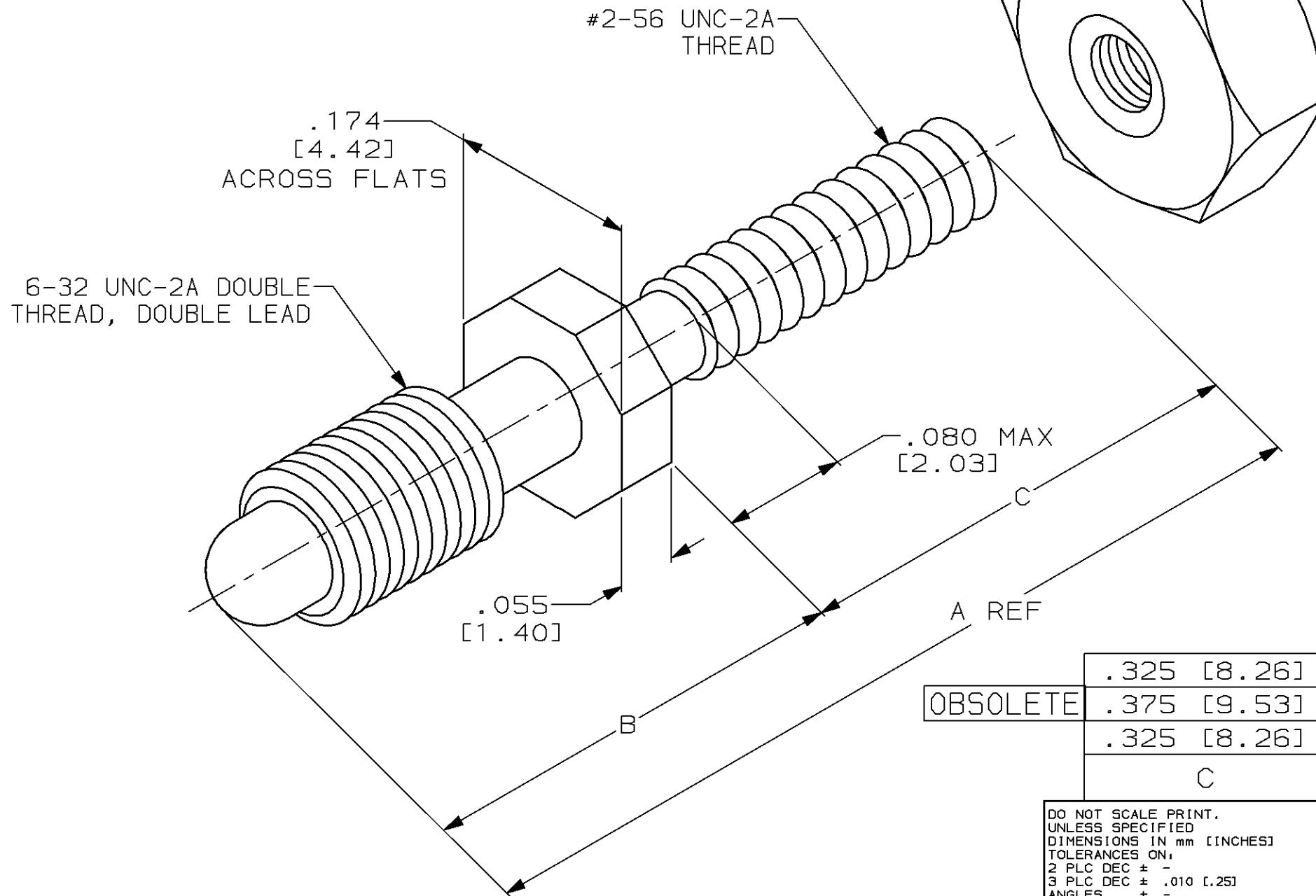


THIS DRAWING IS UNPUBLISHED. RELEASED FOR PUBLICATION, 19 .
 © COPYRIGHT 19 BY AMP INCORPORATED. ALL INTERNATIONAL RIGHTS RESERVED.

PROD 5394
 LOC DF
 DIST FO
 P F

REVISIONS		DATE	APPD
A	ADDED -3 ECN DF-5622 & REL PER NPR 91-0348 TA	DM	1-3-92
B	REV PER 0600-6466-97 TT	DM	16OCT98



	.325 [8.26]	.285 [7.24]	.610 [15.49]	532484-3
OBSOLETE	.375 [9.53]	.375 [9.53]	.750 [19.05]	532484-2
	.325 [8.26]	.375 [9.53]	.700 [17.78]	532484-1
	C	B	A REF	PART NO

DO NOT SCALE PRINT, UNLESS SPECIFIED DIMENSIONS IN mm [INCHES] TOLERANCES ON: 2 PLC DEC ± - 3 PLC DEC ± .010 [.25] ANGLES ± -	DR 12-18-91 T. ALEXANDER	AMP AMP Incorporated Harrisburg, PA 17105-3608
	CHK 1-3-92 D. MILLER	
MATERIAL STAINLESS STEEL	APPD 1-3-92 D. MILLER	NAME MALE JACKSCREW ASSY
FINISH PASSIVATED	APPD 1-7-92 T. ALEXANDER	SIZE B CAGE CODE 00779 DRAWING NO 532484
	PRODUCT SPEC -	SCALE N.T.S. SHEET 1 OF 1
	APPLICATION SPEC -	
	WEIGHT -	

单击下面可查看定价，库存，交付和生命周期等信息

[>>TE Connectivity\(泰科\)](#)