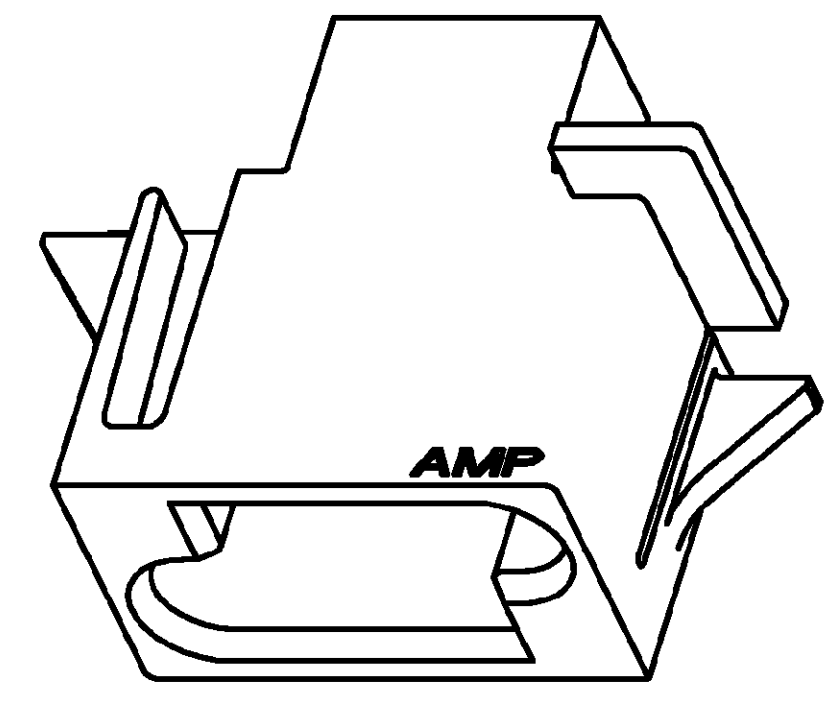
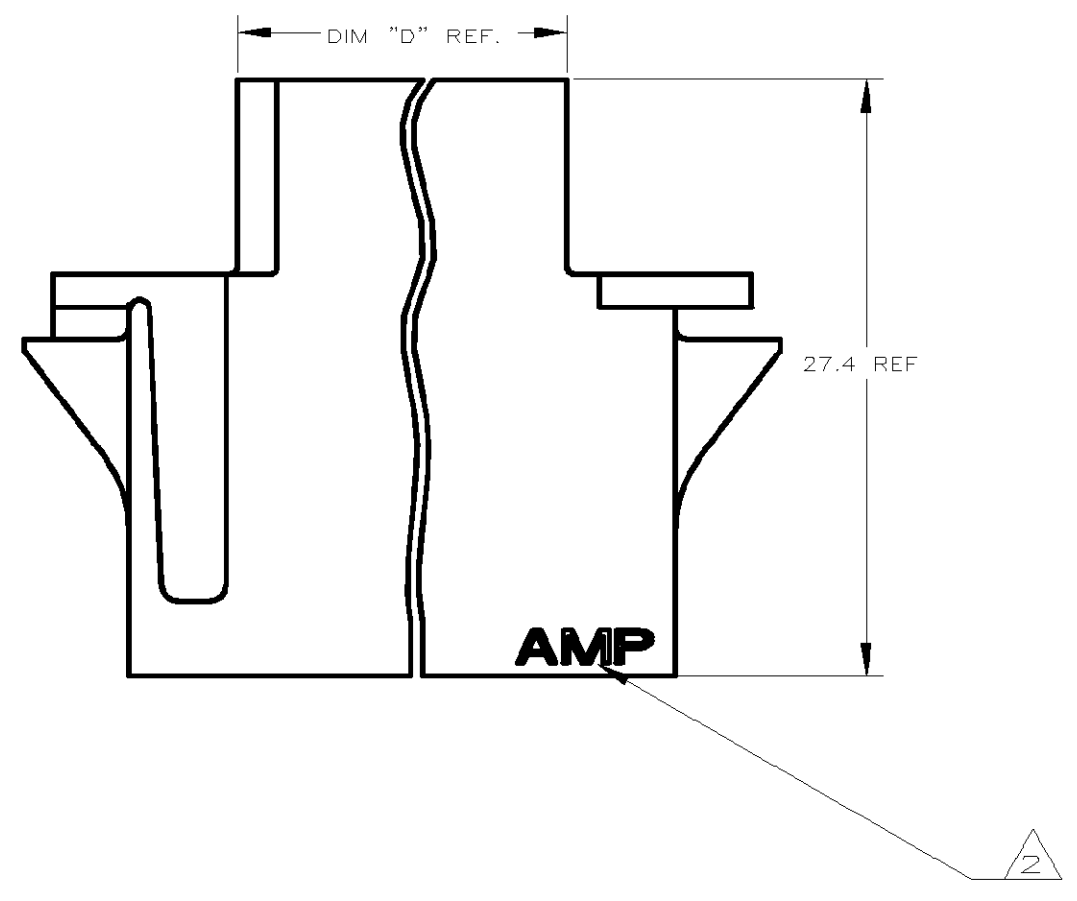
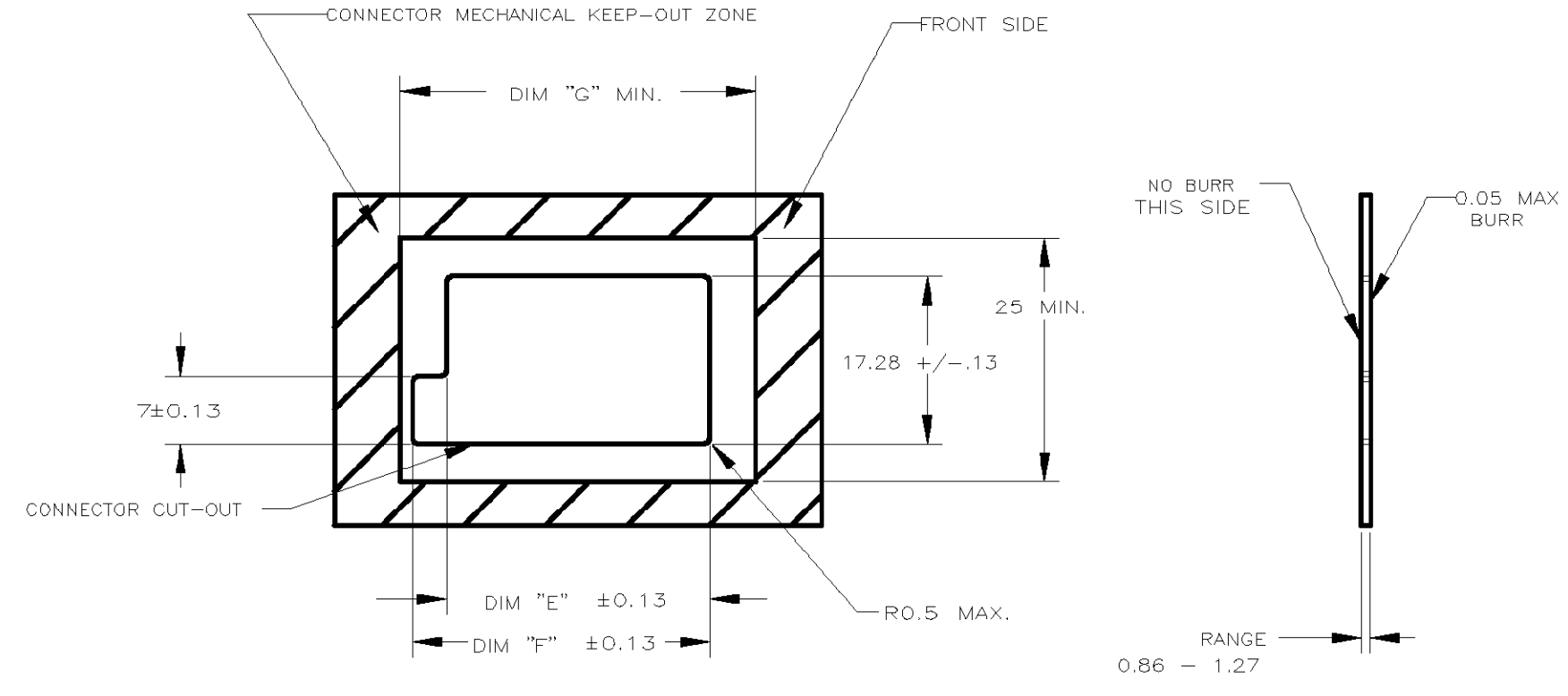
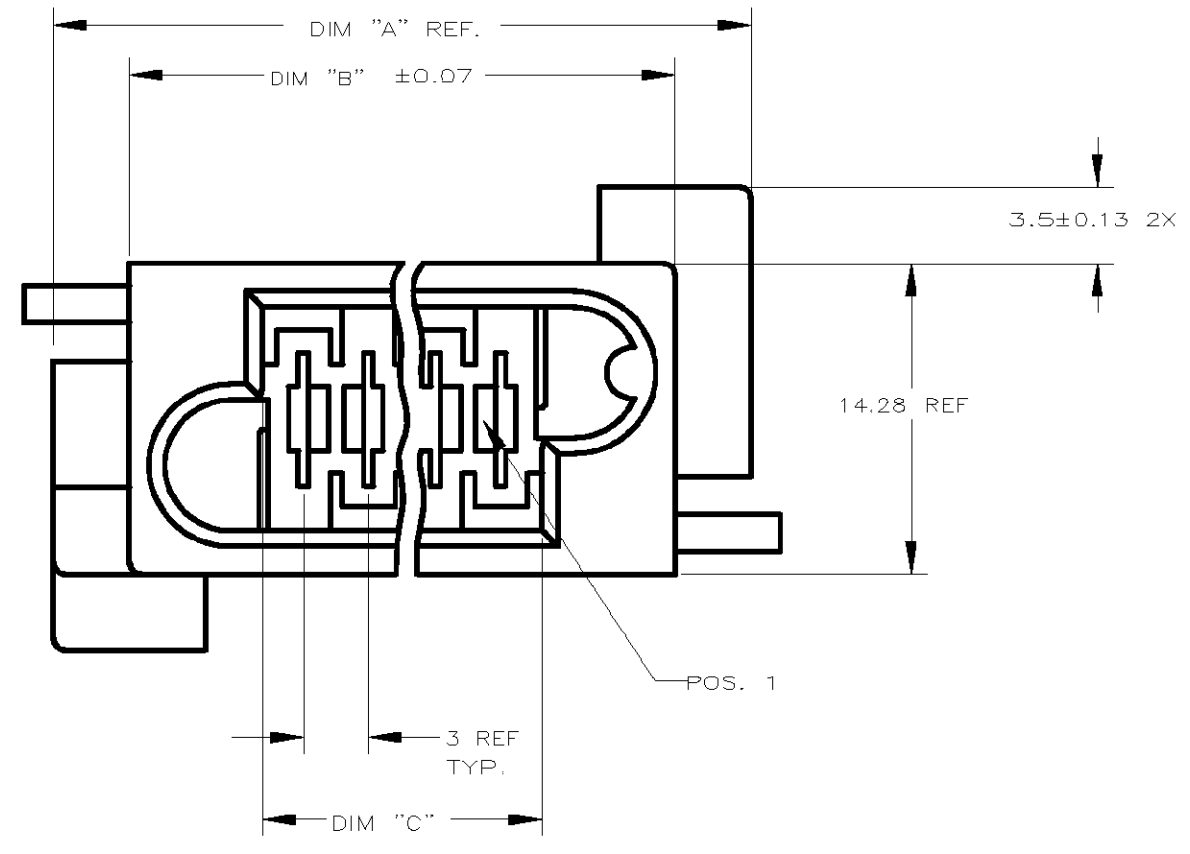


LOC	DIST	REVISIONS			
P	LTR	DESCRIPTION	DATE	DWN	APVD
GP	00	0	RELEASED EC 0512-0151-02 (PENDING)	-	-



- 1 MATERIAL: HOUSING - HIGH TEMP THERMOPLASTIC (UL 94 V-0), BLACK
- 2 "AMP" TRADEMARK TO APPEAR ON THIS SURFACE, APPROXIMATE LOCATION SHOWN.
- 3 THESE PART NUMBERS ARE NOT RELEASED TO PRODUCTION.

1489127-2 SHOWN



RECOMMENDED PANEL CUTOUT

P/N	POSITIONS	DIM "A"	DIM "B"	DIM "C"	DIM "D"	DIM "E"	DIM "F"	DIM "G"
1489127-1	3	29.0	22.0	9.75	12.1	25.0	28.5	33.5
1489127-2	4	32.0	25.0	12.75	15.1	28.0	31.5	36.5
1489127-3	5	35.0	28.0	15.75	18.1	31.0	34.5	39.5
1489127-4	6	38.0	31.0	18.75	21.1	34.0	37.5	42.5
1489127-5	7	41.0	34.0	21.75	24.1	37.0	40.5	45.5
1489127-6	8	44.0	37.0	24.75	27.1	40.0	43.5	48.5
1489127-7	9	47.0	40.0	27.75	30.1	43.0	46.5	51.5
1489127-8	10	50.0	43.0	30.75	33.1	46.0	49.5	54.5

THIS DRAWING IS A CONTROLLED DOCUMENT.

DWN: AL FRANTUM	14MAY2002	Tyco Electronics Corporation	
CHK: -	-	City, State, Zip	
APVD: -	-	NAME: MINI POWER DRAWER PLUG HOUSING	
PRODUCT SPEC: 108 - 1998	APPLICATION SPEC: 114 - 13067	SIZE: A2	CAGE CODE: 00779
WEIGHT: N/A	CUSTOMER DRAWING	DRAWING NO: 1489127	RESTRICTED TO: -
SCALE: 1:1		SHEET 1 OF 1 REV 0	

单击下面可查看定价，库存，交付和生命周期等信息

[>>TE Connectivity\(泰科\)](#)