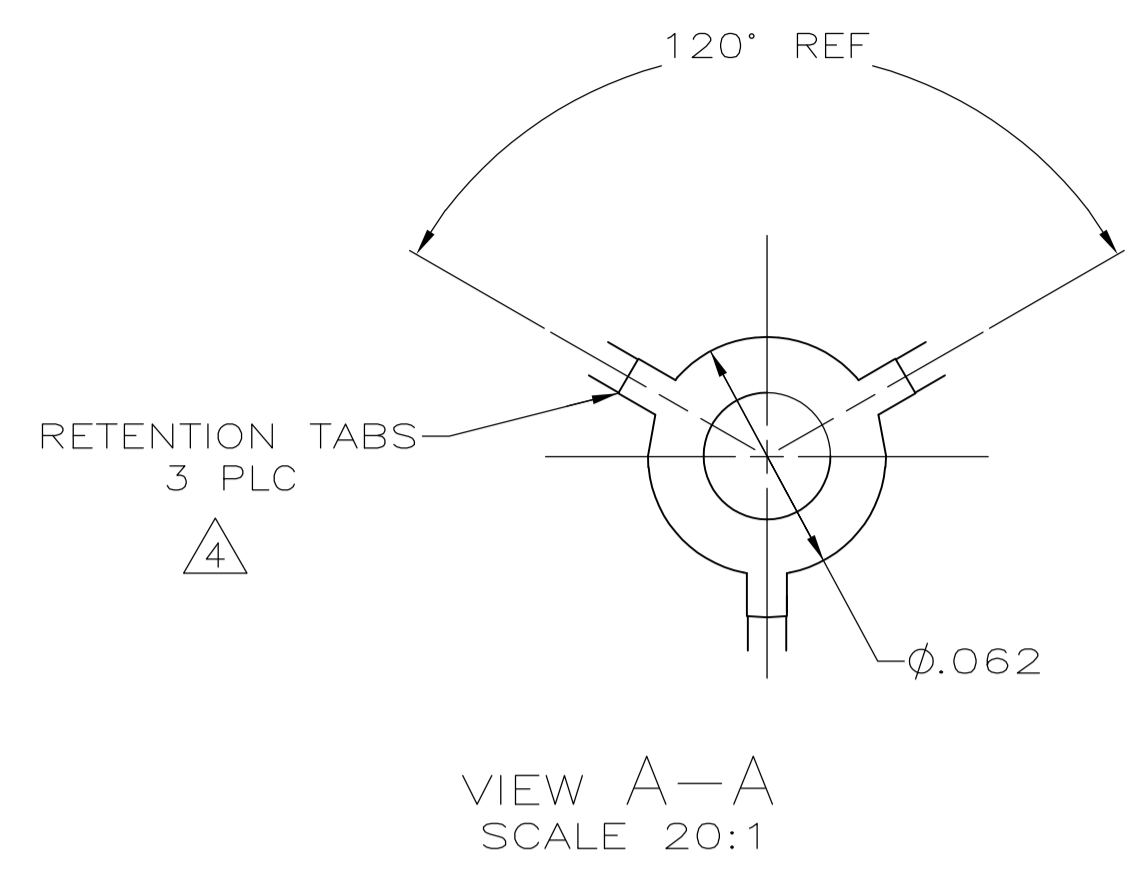
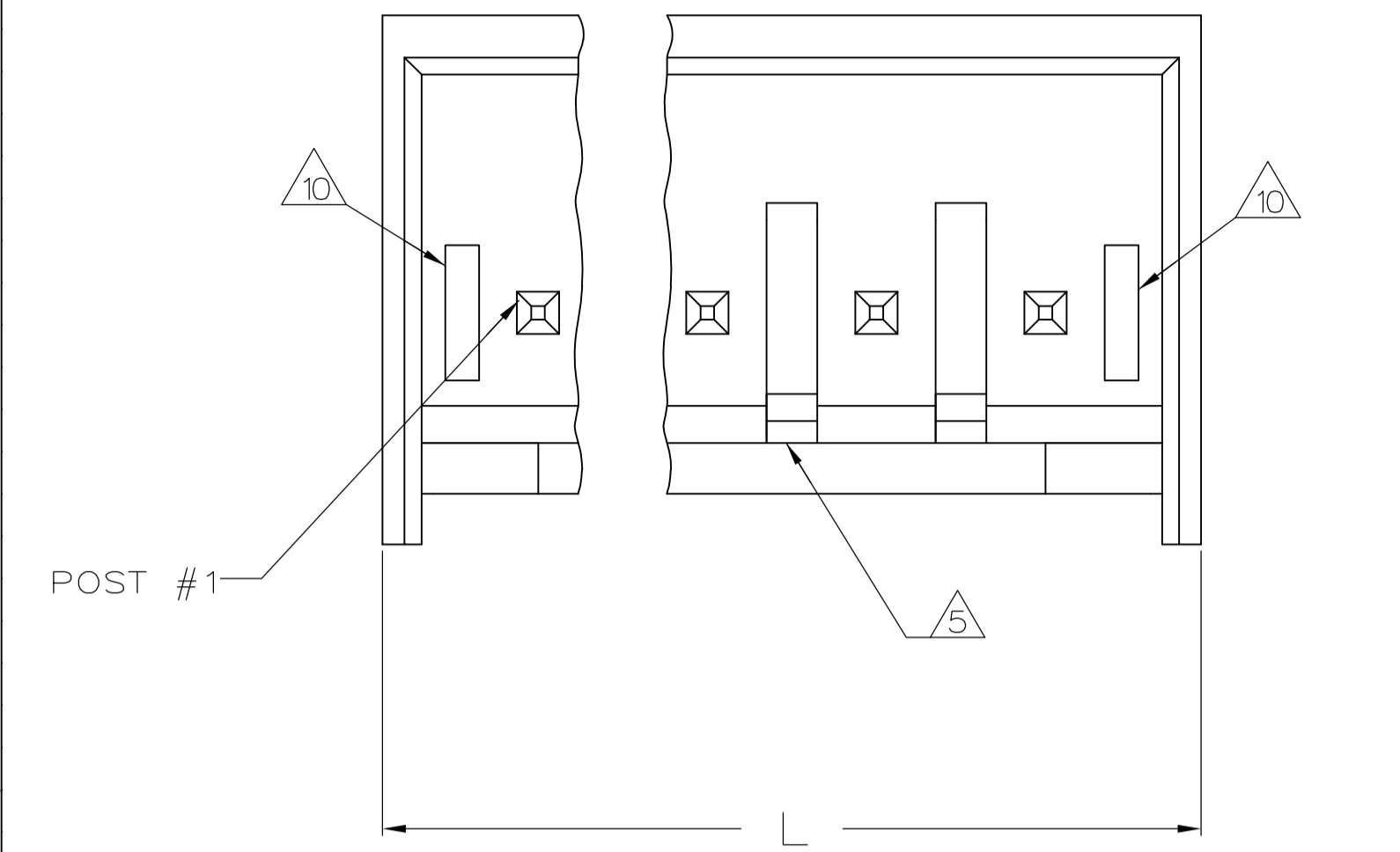
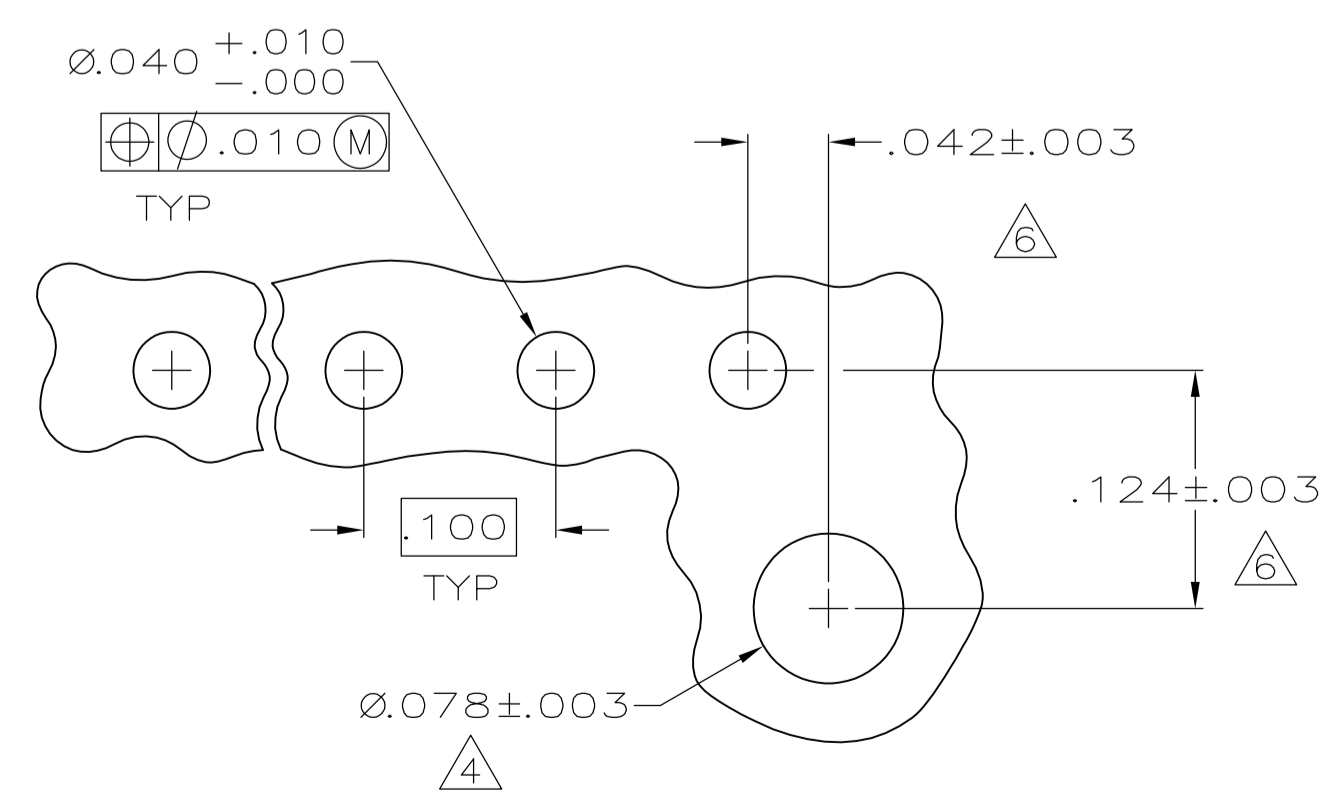
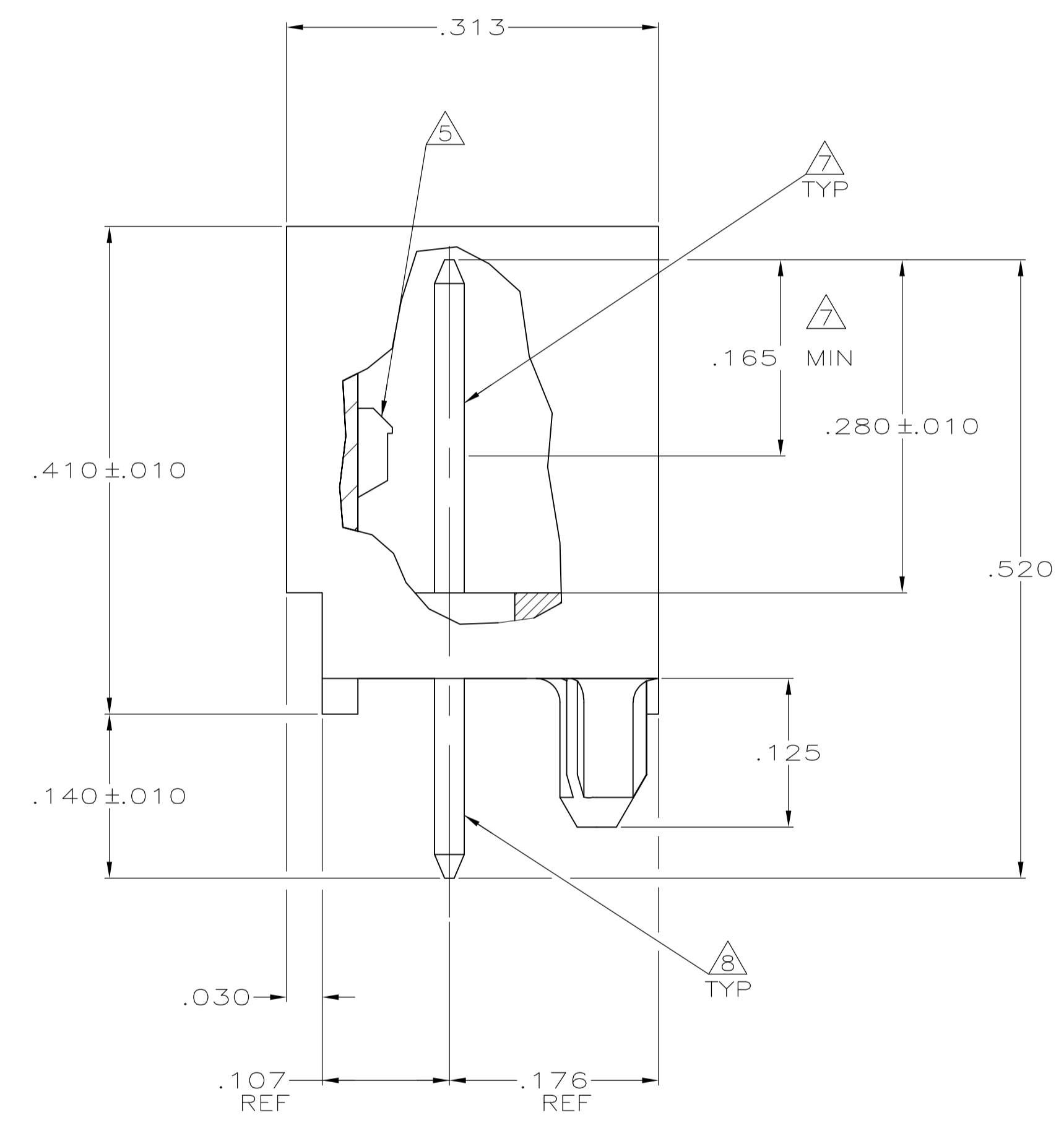
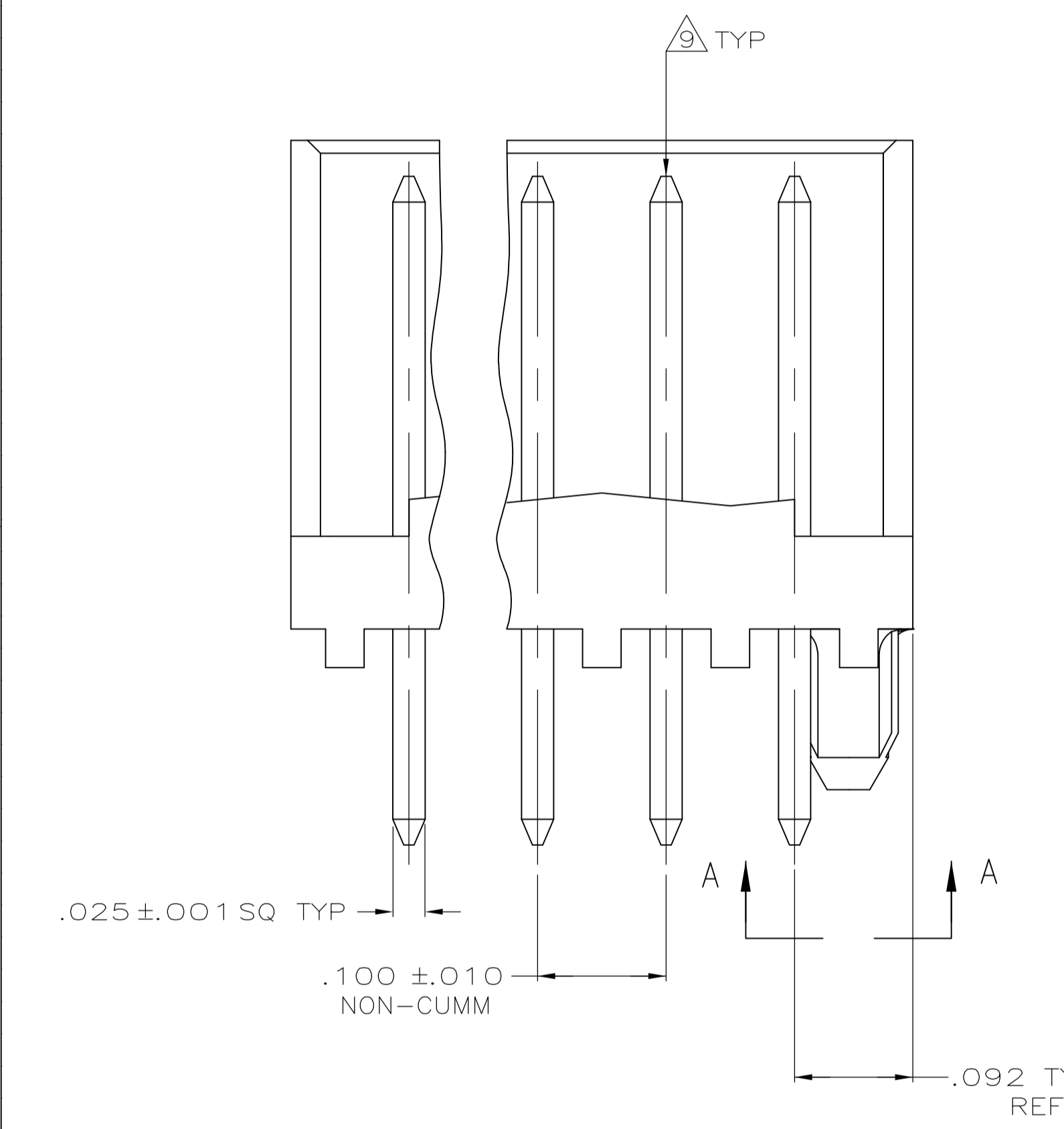


LOC		DIST		REVISIONS			
GP	00	REV	DESCRIPTION	DATE	BY	APPV	
F		REVISED PER	ECR-11-006470	12JUL11	HMR	SM	
G		ECR-13-008537		16SEP13	M.T	D.Z	



- 1 MATERIAL: HEADER - POLYESTER UL94V-0 (BLACK)
POST - COPPER ALLOY.
- 2 SOLDER SIDE OF P.C. BOARD SHOWN.
- 3 PARTS COMPLY WITH TYCO ELECTRONICS SOLDERABILITY SPEC 109-11-12 (TIN).
- 4 THE RETENTION TABS PROVIDE A ONE-TIME INTERFERENCE FIT IN THE .078 DIAMETER BOARD HOLE FOR HEADER ASSEMBLY RETENTION DURING SOLDERING.
- 5 LATCH DETENT FEATURE OCCURS 2 PLACES ON EACH END (MAXIMUM OF FOUR PER PART). FOR 2 THRU 5 CIRCUIT.
- 6 COORDINATE DIMENSION APPLIES FROM CENTER OF ACTUAL FEATURE.
- 7 GOLD PLATE, .000030 MIN, FOUR SIDES AS SHOWN, OVER NICKEL UNDERPLATE, .000050 MIN, ALL SIDES AND ENTIRE LENGTH OF POST.
OR
GOLD FLASH OVER PALLADIUM-NICKEL, .000030 MIN TOTAL THICKNESS AS SHOWN, OVER NICKEL UNDERPLATE .000050 MIN ALL SIDES AND LENGTH OF POST. EITHER PLATING MAY BE PROVIDED AT THE DISCRETION OF TYCO ELECTRONICS.
- 8 TIN PLATE, ALL FOUR SIDES, .140 REF.
- 9 POST MUST WITHSTAND 3.0 LBS (13.34 NEWTONS) MIN FORCE WITHOUT DISLODGING, EITHER DIRECTION.
- 10 SLOTS MAY OR MAY NOT APPEAR ON THESE PARTS.
- 11 MATTE TIN (100%) PLATE, ALL FOUR SIDES, .140 REF.
- 12 UL RECOGNIZED (UR) LOGO AND CSA LOGO ON THE SIDE OF THE PART. AMP LOGO MAY APPEAR ON THE SIDE OR ON THE BOTTOM OF THE PART.

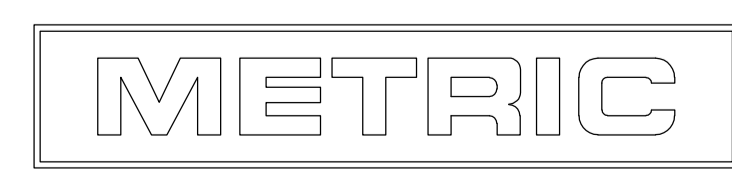


	.025	0.64	.124	3.15	-	-
.010	0.25	.107	2.72	-	-	-
.005	0.13	.100	2.54	.520	13.21	-
.003	0.08	.092	2.34	.410	10.41	-
.001	0.03	.078	1.98	.313	7.95	-
.000350	0.00889	.063	1.60	.280	7.11	-
.000150	0.00381	.062	1.57	.176	4.47	-
.000050	0.00127	.042	1.07	.165	4.19	-
.000030	0.00076	.040	1.02	.140	3.56	-
.000	0.00	.030	0.76	.125	3.18	-
IN	MM	IN	MM	IN	MM	

CONVERSION TABLE

IN	MM	NO OF POSITIONS	PART NUMBER
1.484	37.69	14	4-644897-4
1.384	35.15	13	4-644897-3
1.284	32.61	12	4-644897-2
1.184	30.07	11	4-644897-1
1.084	27.53	10	4-644897-0
.984	24.99	9	3-644897-9
.884	22.45	8	3-644897-8
.784	19.91	7	3-644897-7
.684	17.37	6	3-644897-6
.584	14.83	5	3-644897-5
.484	12.29	4	3-644897-4
.384	9.75	3	3-644897-3
.284	7.21	2	3-644897-2
1.484	37.69	14	1-644897-4
1.384	35.15	13	1-644897-3
1.284	32.61	12	1-644897-2
1.184	30.07	11	1-644897-1
1.084	27.53	10	1-644897-0
.984	24.99	9	644897-9
.884	22.45	8	644897-8
.784	19.91	7	644897-7
.684	17.37	6	644897-6
.584	14.83	5	644897-5
.484	12.29	4	644897-4
.384	9.75	3	644897-3
.284	7.21	2	644897-2

RECOMMENDED MOUNTING HOLE PATTERN FOR .063 THK PRINTED CIRCUIT BOARD



THIS DRAWING IS A CONTROLLED DOCUMENT.

DIN K. WHITAKER 27JUNE2005
CHK D. ROSSI 27JUNE2005

APPRO D. ROSSI 27JUNE2005

NAME CST-100 SHROUDED HEADER ASSEMBLY, FRICTION LOCK, STRAIGHT POST, .000030 GOLD

APPLICATION SPEC

SIZE CASE CODE DRAWING NO RESTRICTED TO
A1 00779 644897

WEIGHT

CUSTOMER DRAWING SCALE 10:1 SHEET 1 OF 1 REV G

单击下面可查看定价，库存，交付和生命周期等信息

[>>TE Connectivity\(泰科\)](#)