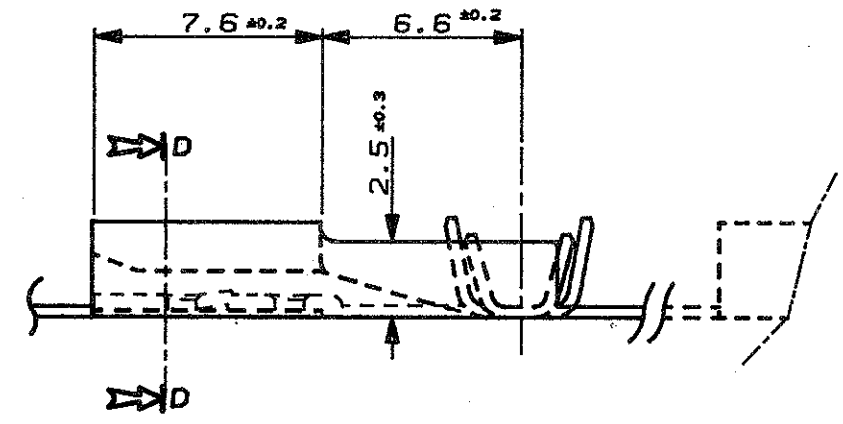


SCALA NON IMPEGNATIVA
(DO NOT SCALE)
DIMENSIONI IN mm
(DIMENSIONS IN mm)

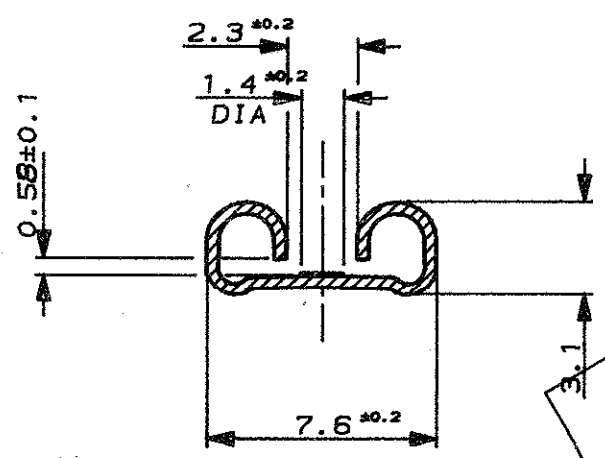
METRIC

PROIEZIONE EUROPEA
(EUROPEAN PROJECTION)

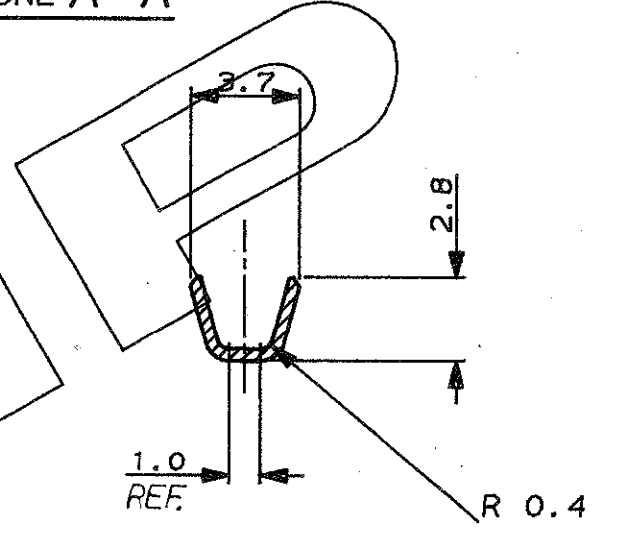
A
B
C
D
E



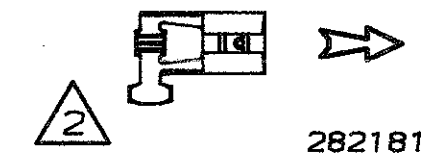
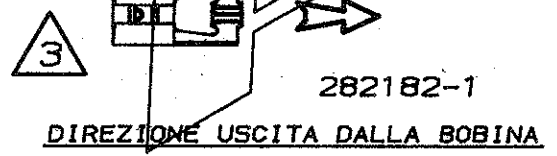
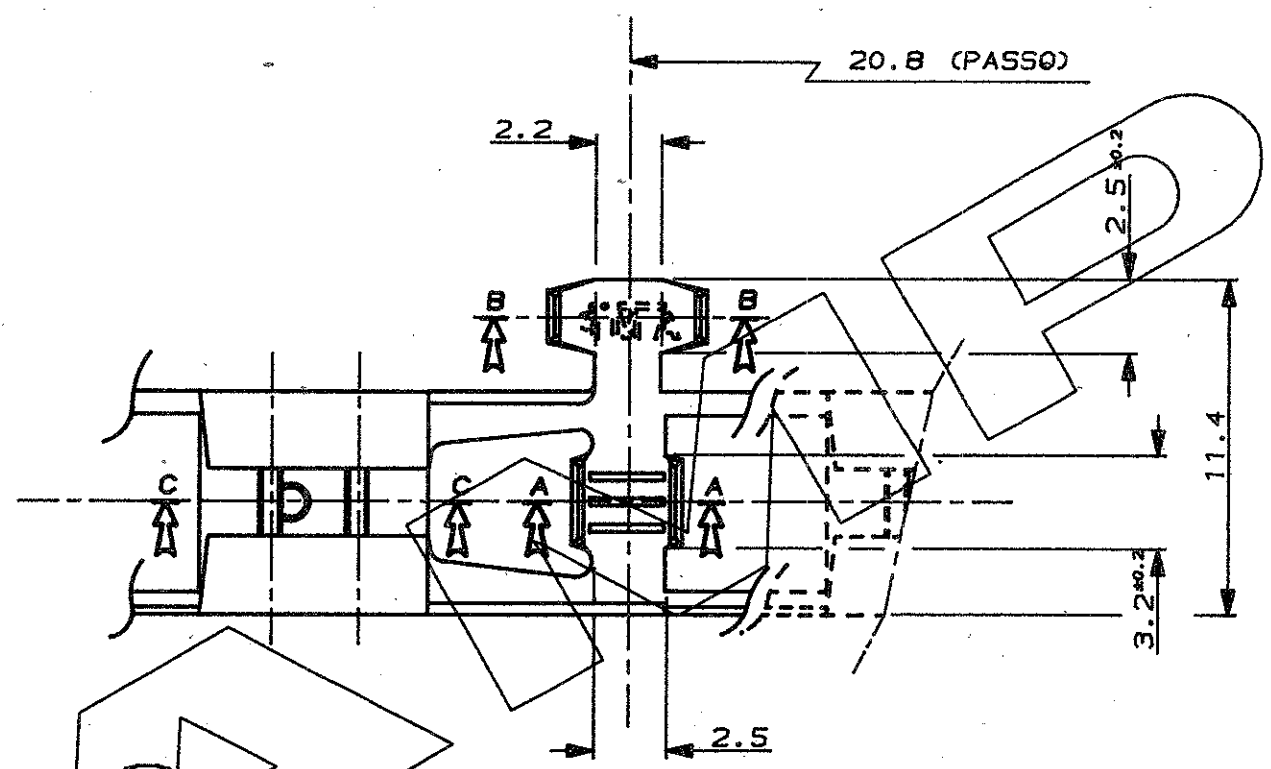
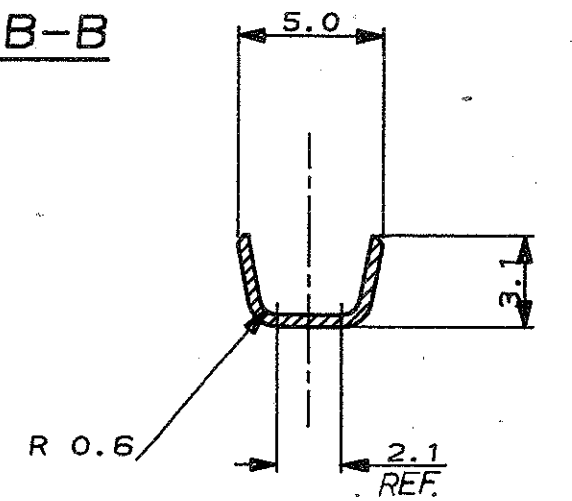
SEZIONE D-D



SEZIONE A-A



SEZIONE B-B



(WIRE) SEZ. FILO mm ²	(INS. DIA. STD) Ø ISOL. STD	(INS. DIA. REDUCED) Ø IS. RID. FASE 3
0.50	---	1.5-1.7
0.75	---	1.7-1.9
1.0	---	1.9-2.1
1.5	---	2.2-2.4

3	OBSOLETE	STAGNATO	OTTONE	282182-1
4	2	-	BR. FOSFOROSO	282181-2
2	2	STAGNATO	OTTONE	282181-1
		FINITURA / COLORE (FINISH / COLOUR)	MATERIALE (MATERIAL)	NUMERO (PART NUMBER)

CUSTOMER DWG. FOR REFERENCE ONLY DISEGNO PER CLIENTE SOLO PER RIFERIMENTO

THIS DRAWING IS UNPUBLISHED RELEASE FOR PUBLICATION 19

© COPYRIGHT 19 BY AMP INCORPORATED, HARRISBURG, PA. ALL INTERNATIONAL RIGHT RESERVED. AMP PRODUCTS MAY BE COVERED BY U.S. AND FOREIGN PATENT AND/OR PATENT PENDING

TOLLERANZE, SE NON DIVERSAMENTE SPECIFICATO (TOLERANCES, UNLESS OTHERWISE SPECIFIED)	DIAM. ISOLANTE (INS. DIA. RANGED)	RANGO FILO (WIRE RANGED)	SCALA (SCALE)
± 0.3	1.5-2.4 DIA	0.5-1.5mm ²	4:1

ANGOLI (ANGLES) ± 2°

AMP AMP ITALIA S.p.A.
Corso F.lli Cervi, 15
COLLENO (TORINO)

DESCRIZIONE (DESCRIPTION) .250 SRS.FLAG FASTON REC. CONTACT

LOC. I	SIZE A3	NUMERO (COMP. NO.)	(MASTER DWG.)	REV. D1	FOLIO (SHEET) 1 DI 1
--------	---------	--------------------	---------------	---------	----------------------

D1	REVISED PER ECO-09-026346	KK	NOV89
D	OBSOLETE FOR ETOO-0301-99	H.X.	STAR 2000
A	IN PRODUZIONE (ECN I-2903)	C.J.	8-6-91
REV.	REVISIONI (REVISION RECORD)	DIS. DATA (DATE)	APP. (APP.)

单击下面可查看定价，库存，交付和生命周期等信息

[>>TE Connectivity\(泰科\)](#)