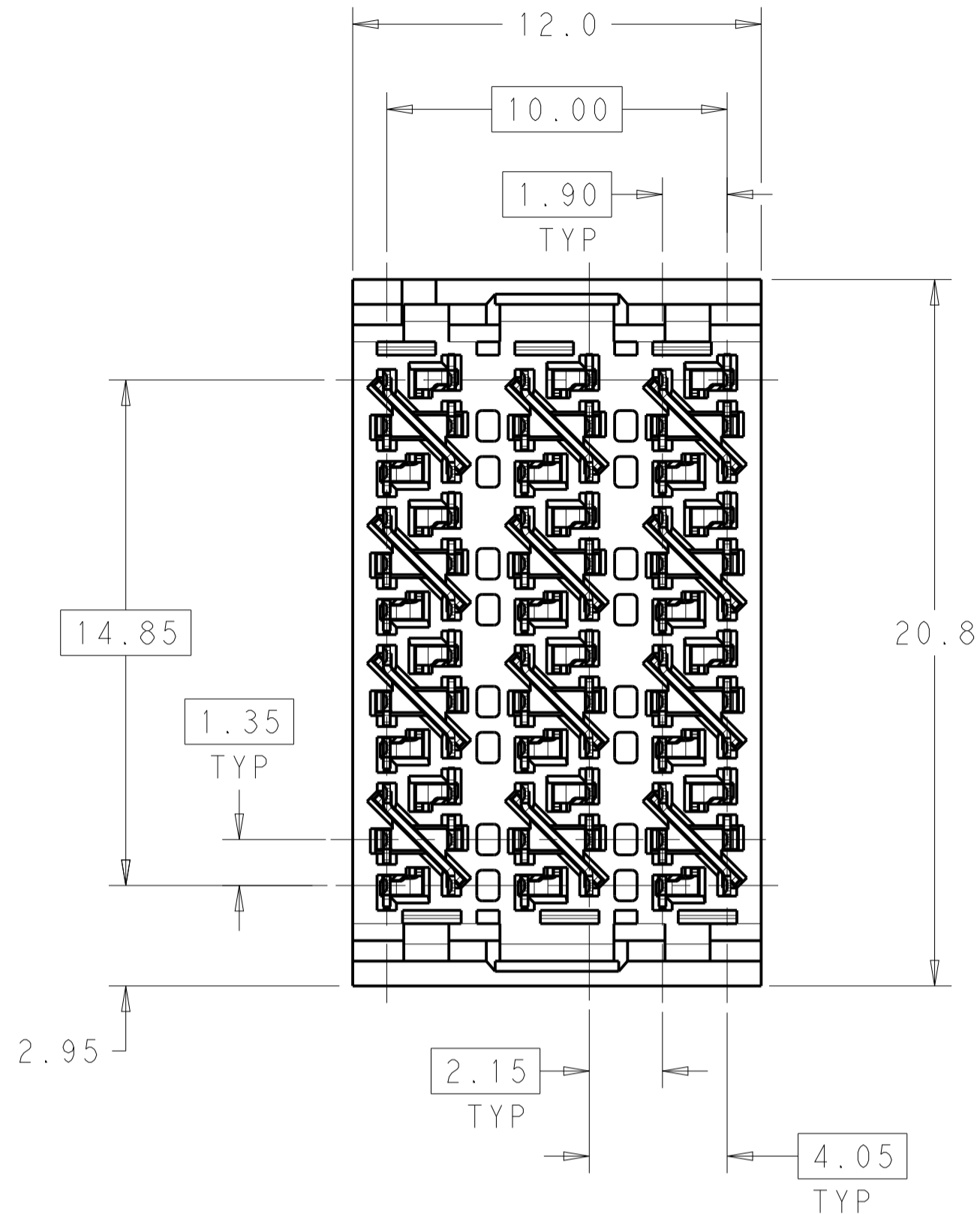
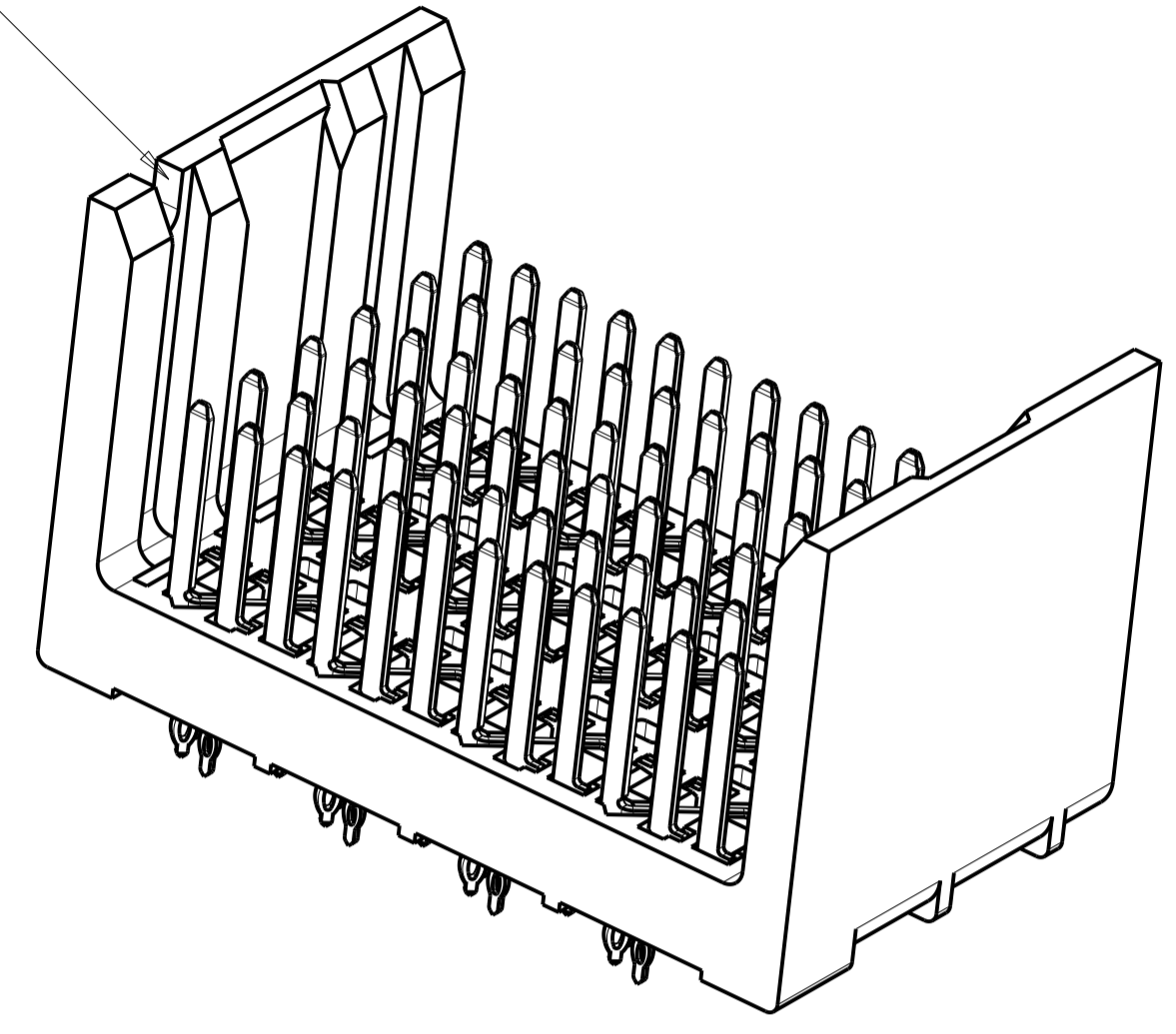


REVISIONS				
P.	LTN	DESCRIPTION	DATE	APPROV
C		REVISED PER ECO-14-013271	06SEP2014	AP DD

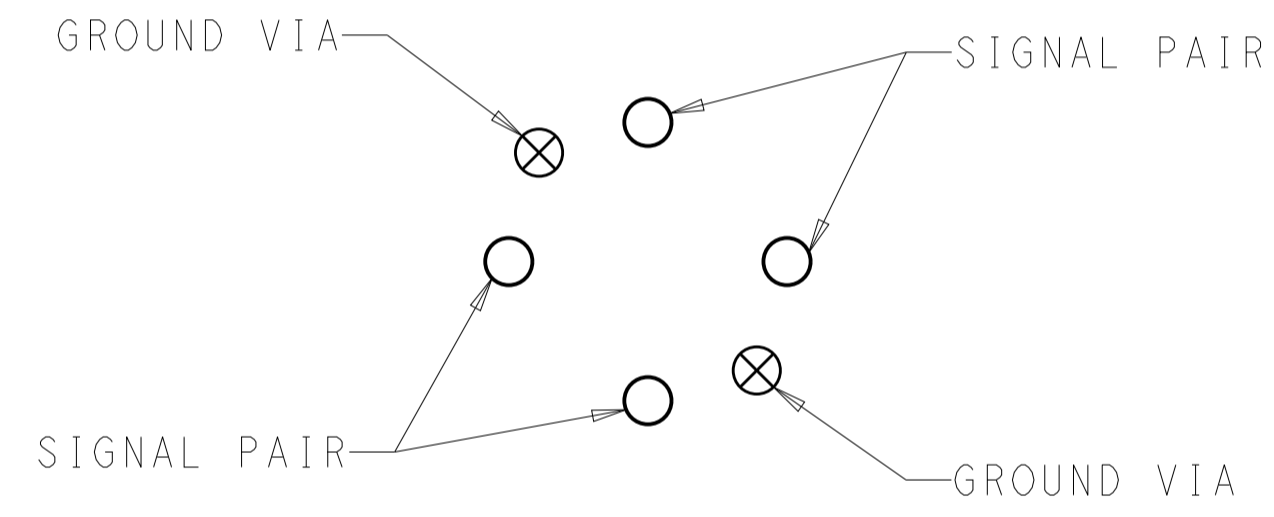


NOTCH DESIGNATES ROW A

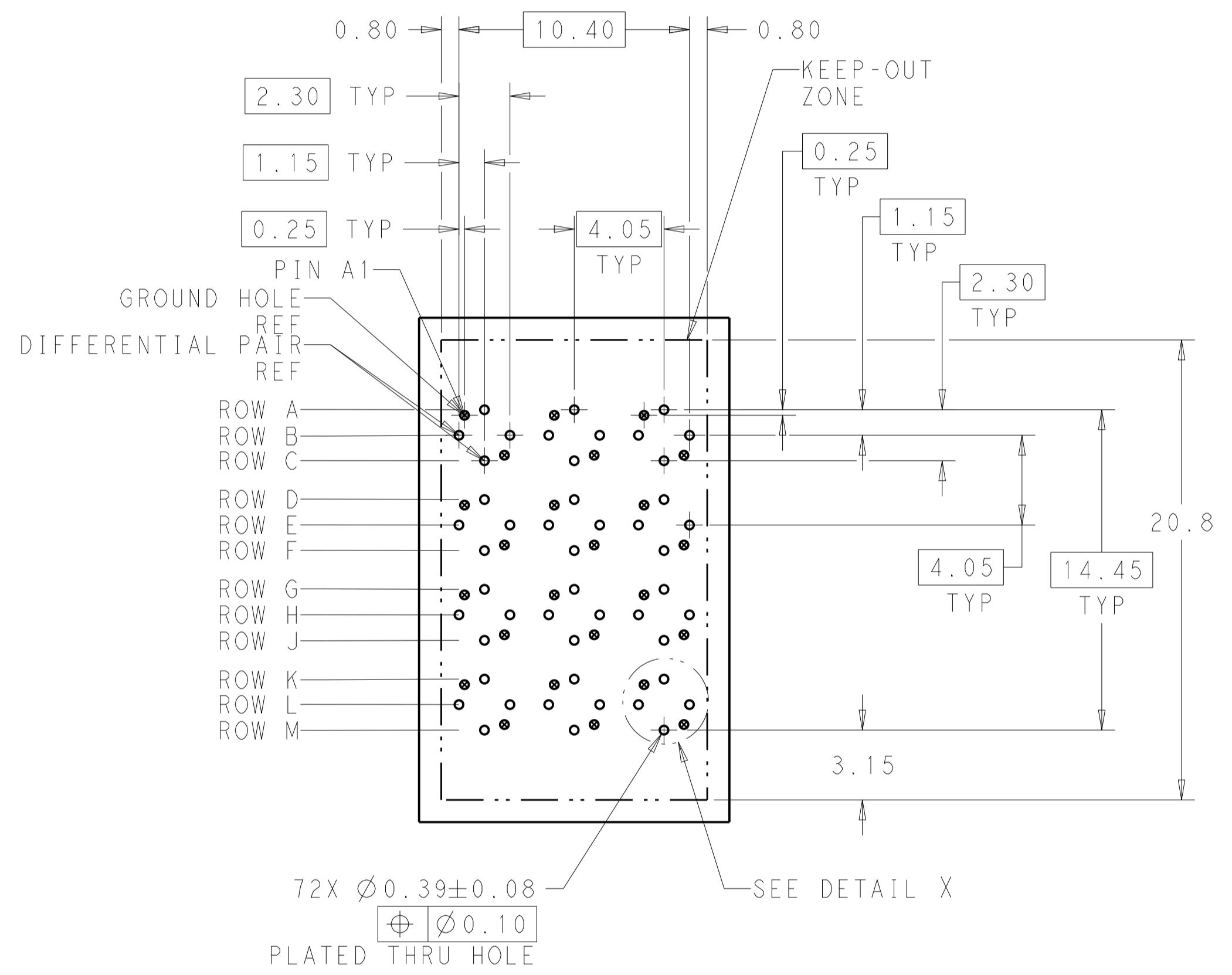


1 MATERIAL:
HOUSING: LCP, GLASS FILLED, UL94V-0.
TERMINALS: HIGH PERFORMANCE COPPER ALLOY.

2 FINISH:
30μ" MIN GOLD IN CONTACT AREA. SELECTIVE TIN ON PCB TAILS, NICKEL OVERALL.

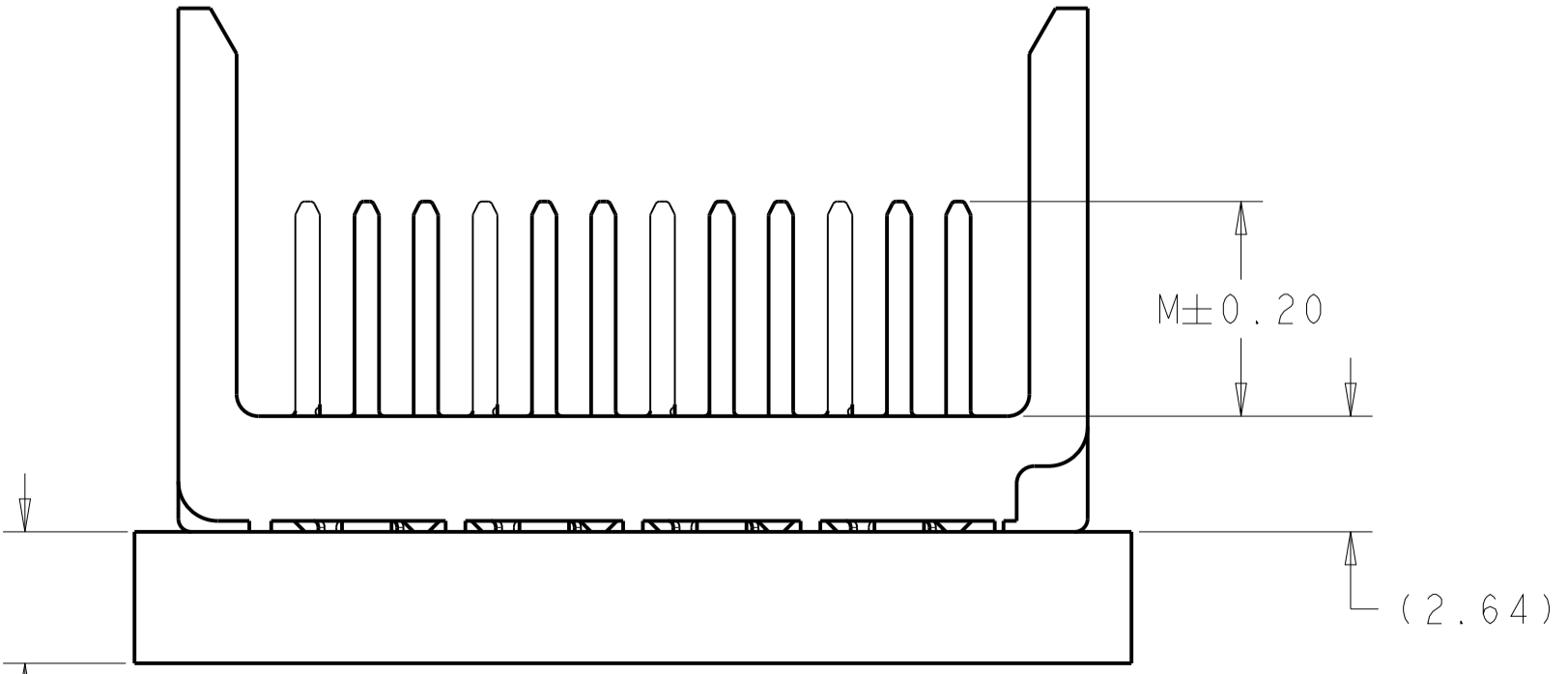
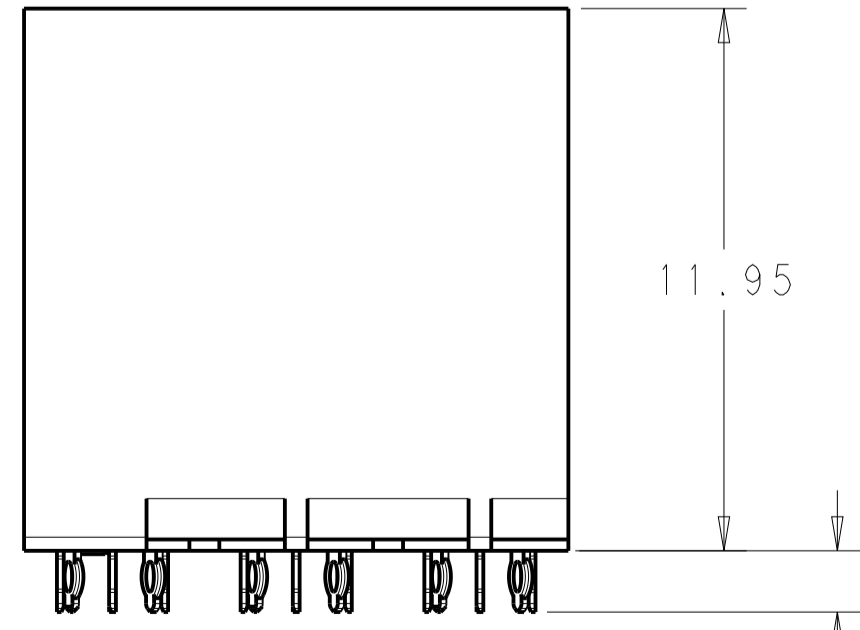


DETAIL X
SCALE 16:1



UNGUIDED
BACKPLANE HOLE PATTERN
(CONNECTOR SIDE)

REFER TO WWW.TE.COM
FOR PRODUCT AVAILABILITY



2	5.5	PART_NO: 1-2
2	4.9	PART_NO: 1-1
FINISH	DIM M	PART NUMBER

THIS DRAWING IS A CONTROLLED DOCUMENT.		DWN: KIRAN HOLAL 18OCT2012	TE Connectivity
DIMENSIONS: mm		CHK: DIXON DIRK 18OCT2012	
TOLERANCES UNLESS OTHERWISE SPECIFIED:		APPR: DIXON DIRK 18OCT2012	NAME: IMPACT, ORTHOGONAL, 4 PAIR, 6 COLUMN HEADER, UNGUIDED, OPEN END WALL SIGNAL MODULE, 0.39 PTH SIZE: CAGE CODE: DRAWING NO: A100779C=2132597 RESTRICTED TO:
0 PLC ±0.25		PRODUCT SPEC	
2 PLC ±0.13		APPLICATION SPEC	SCALE: 6:1 SHEET 1 OF 1 REV C
3 PLC ±		WEIGHT	
4 PLC ±		CUSTOMER DRAWING	
ANGLES ±			
FINISH: SEE TABLE			

单击下面可查看定价，库存，交付和生命周期等信息

[>>TE Connectivity\(泰科\)](#)