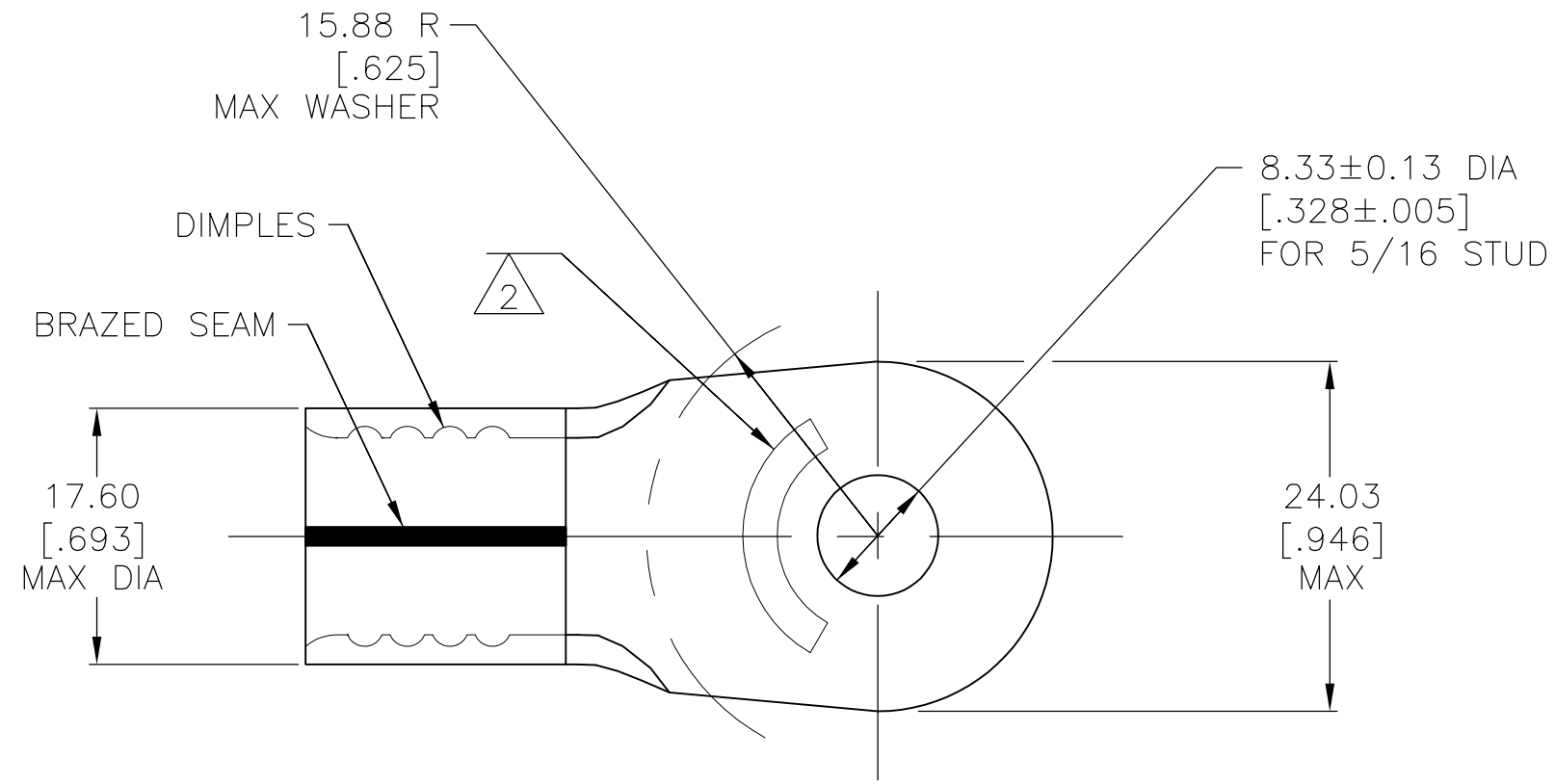


THIS DRAWING IS UNPUBLISHED. RELEASED FOR PUBLICATION  
 © COPYRIGHT - By - ALL RIGHTS RESERVED.

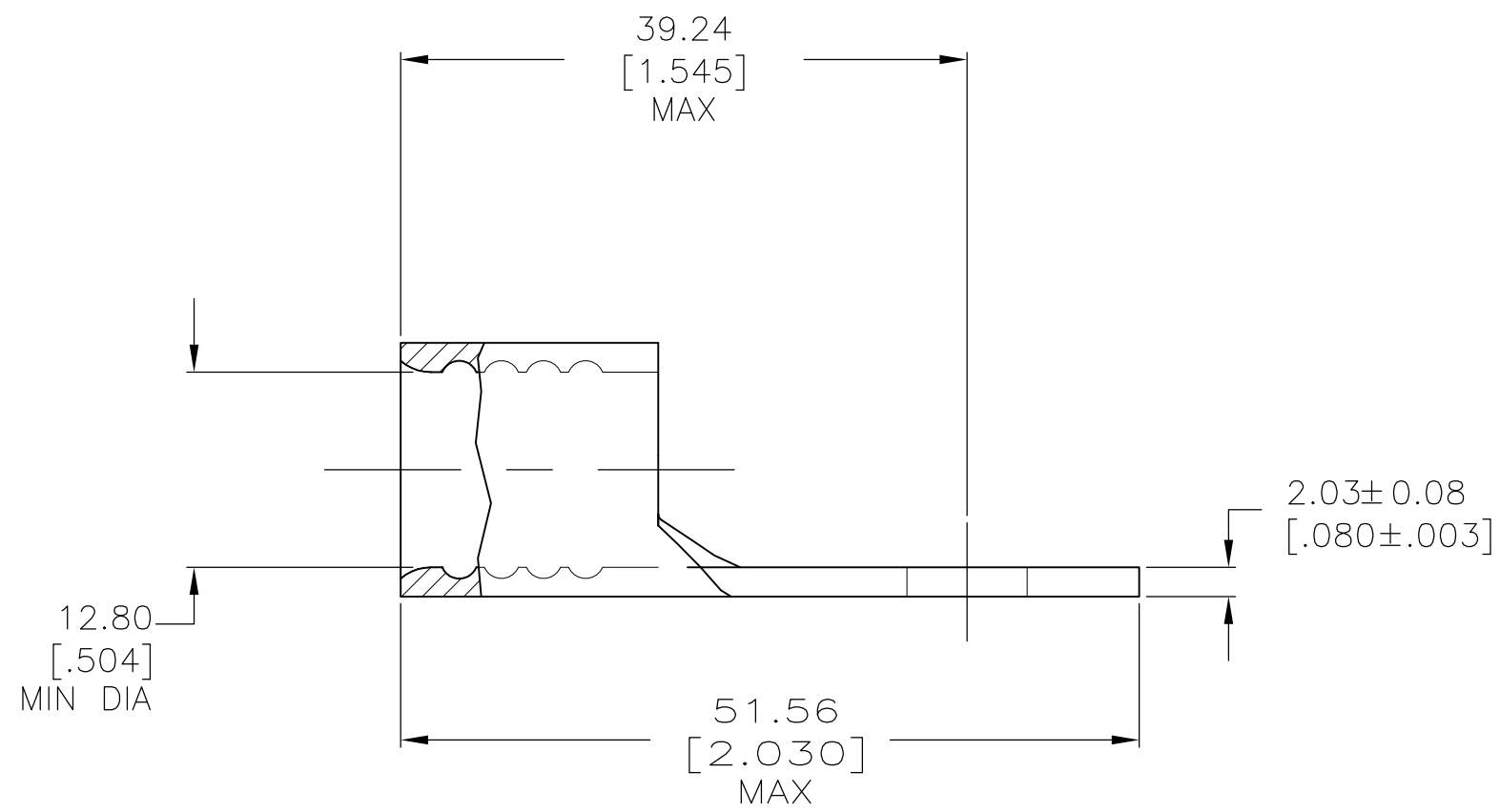
LOC	DIST	REVISIONS					
		P	LTR	DESCRIPTION	DATE	DWN	APVD
G	14	B2		REVISED PER ECO-12-013449	23JUL12	KH	DR



- 1 NICKEL PLATE 0.0076[.00030] MIN THK EXT PER SAE AMS QQ-N-290
- 2 STAMP AMP 2/0 W\* APPROX AS SHOWN

**AMP**  
WIRE RANGE

2/0 AWG  
SOLID OR STRANDED



132074-2

PART NO.

**AMP INCORPORATED  
CUSTOMER SERVICE SYSTEMS**

FOR ADDITIONAL PRODUCT INFORMATION OR COPIES OF DRAWINGS AND TECHNICAL DOCUMENTS	PRODUCT INFORMATION CENTER 1-800-522-6752
FOR APPLICATION TOOLING INFORMATION	TOOLING ASSISTANCE CENTER 1-800-722-1111
FOR ORDER ENTRY	1-800-526-5142

MAX RECOMMENDED OPERATING TEMPERATURE: 343°C[650°F] MAX
VOLTAGE RATING: N/A
CIRCULAR MIL AREA: 60.6-76.3mm²[119,500-150,500] SOLID OR STRANDED

THIS DRAWING IS A CONTROLLED DOCUMENT.

DIMENSIONS: mm [INCHES]	TOLERANCES UNLESS OTHERWISE SPECIFIED:
	0 PLC ± -
	1 PLC ± -
	2 PLC ± 0.20[.008]
	3 PLC ± -
	4 PLC ± -
	ANGLES ± -
MATERIAL COPPER PER ASTM B-152 ANNEALED	FINISH 1

DWN JR RUTH 25JAN10	NAME TERMINAL, RING TONGUE, STRATO-THERM 2/0 AWG, 5/16
CHK TOM MICHIELUTTI 25JAN10	
APVD TOM MICHIELUTTI 25JAN10	
PRODUCT SPEC APPLICATION SPEC	
WEIGHT -	RESTRICTED TO -
CUSTOMER DRAWING	SCALE 2:1

<b>TE</b> TE Connectivity	
SIZE A2	CAGE CODE 00779
DRAWING NO. C=132074	SHEET 1 OF 1
REV B2	

THIS DRAWING IS A CONTROLLED DOCUMENT FOR AMP INCORPORATED. IT IS SUBJECT TO CHANGE AND THE CONTROLLING ENGINEERING ORGANIZATION SHOULD BE CONTACTED FOR THE LATEST REVISION.

单击下面可查看定价，库存，交付和生命周期等信息

[>>TE Connectivity\(泰科\)](#)