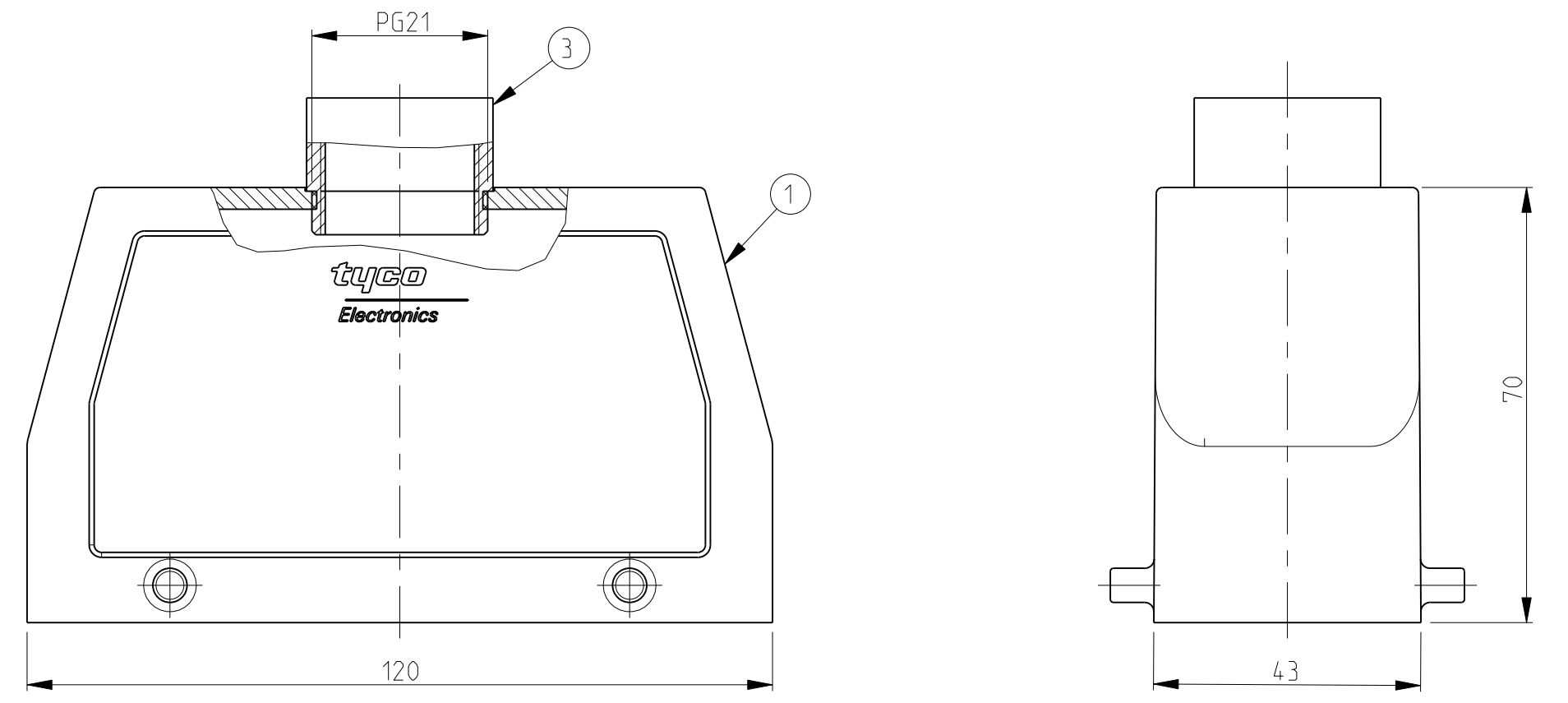
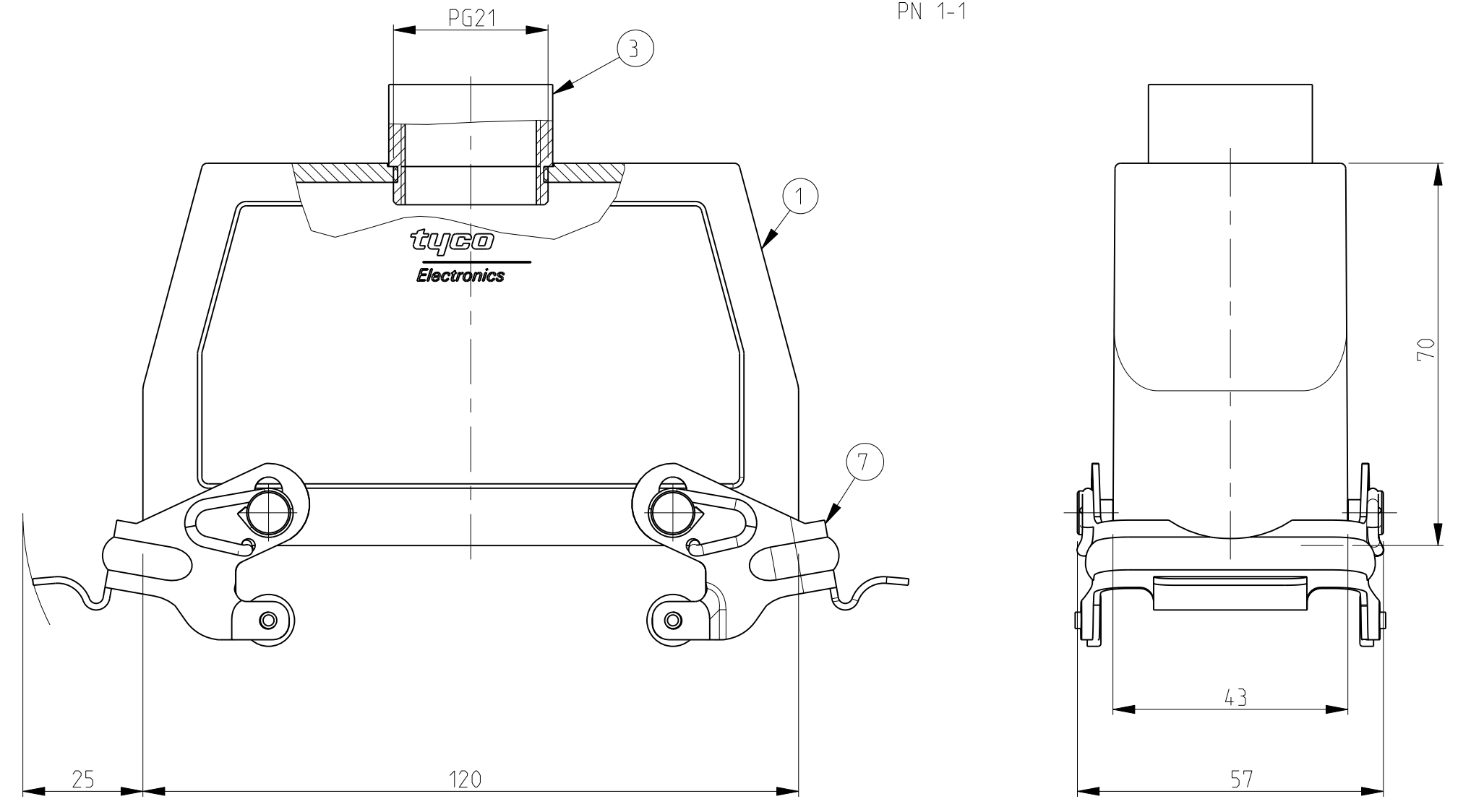


LOC	DIST	REVISIONS					
A	1	P	LTR	DESCRIPTION	DATE	DWN	APVD
		A5		REVISED PER ECR-16-016768	24JAN2018	SRG	MKO
		A6		ECR-17-013084	02APR18	SG	MKO

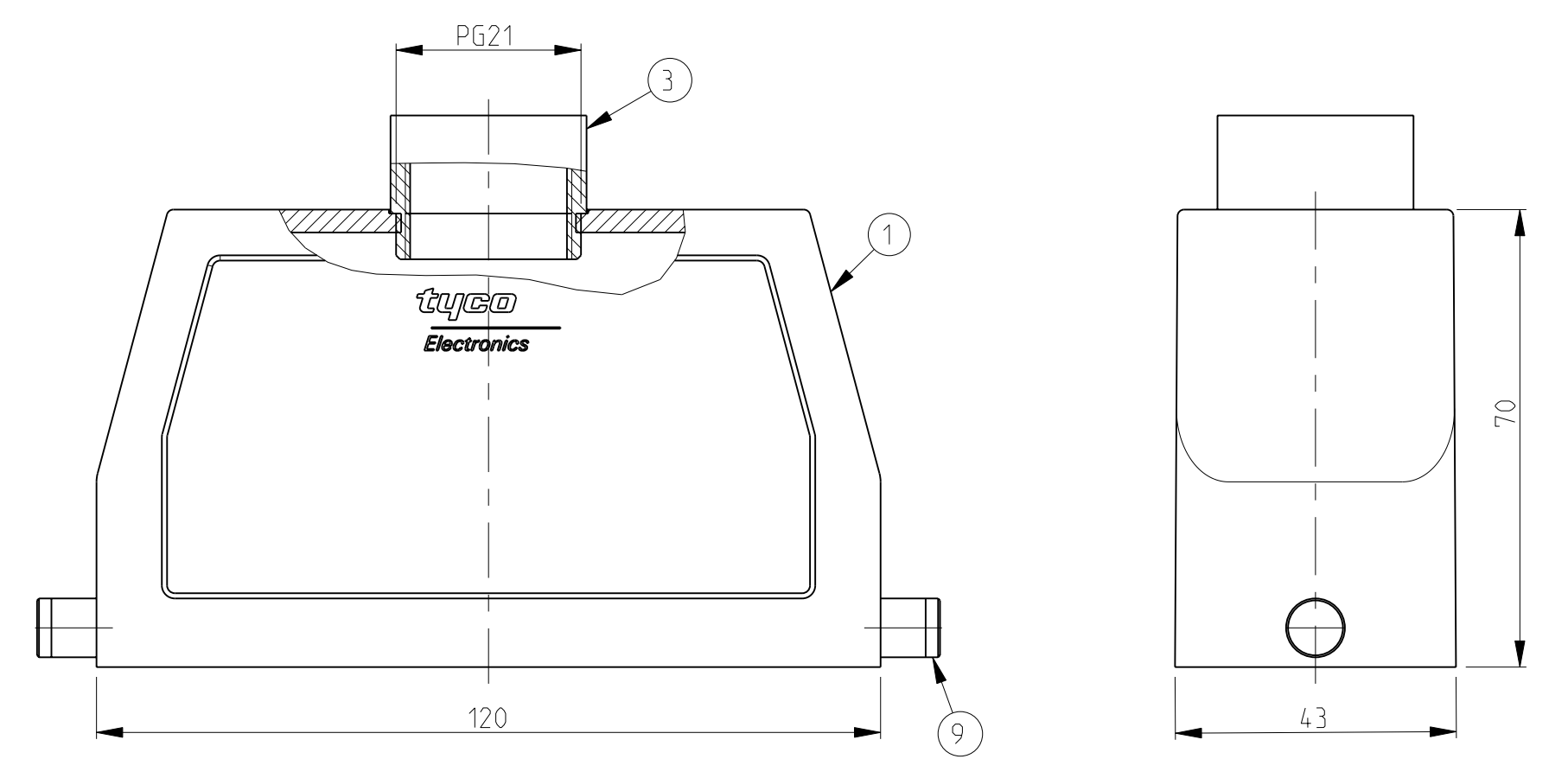
PN 1-6



PN 1-1

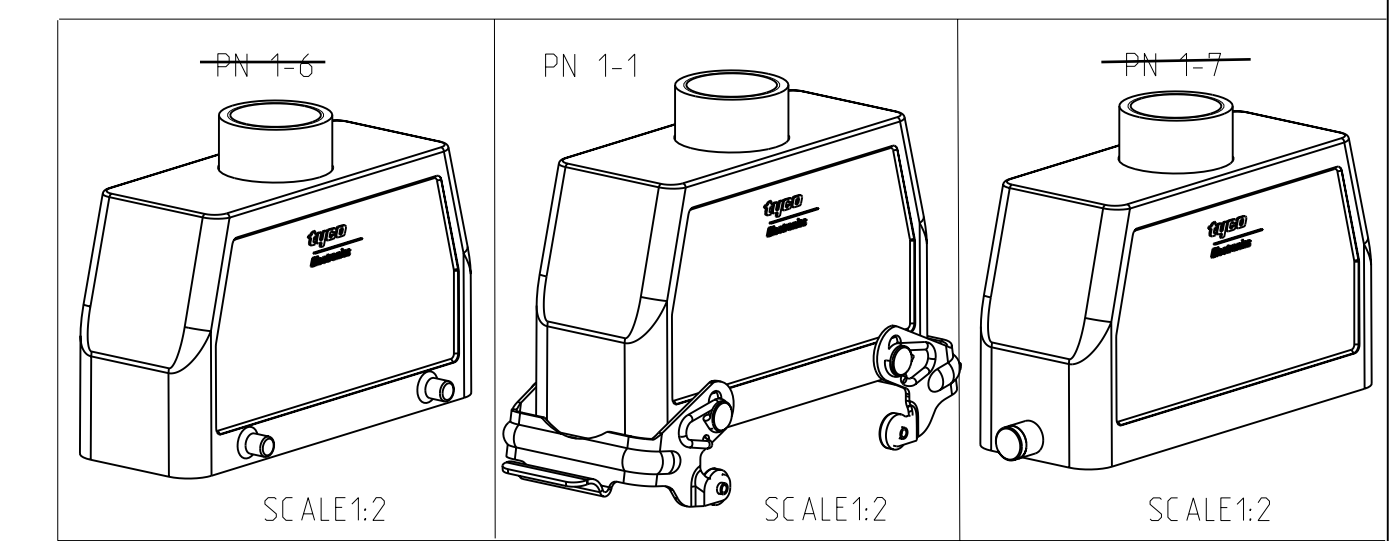


PN 1-7



NOTES.

- 1 Material:Housing:Aluminium Diecasting Alloy
- 2 Surface:Varnish grey
- 3 Varnish on the inside not necessary
- 4 Packaging Quantity 5 Pieces in a box



QTY	DESCRIPTION	MATERIAL	SURFACE	COLOR	ITEM NO	REMARKS
1	ZB Central clip	Stainless steel	-	-	12	
1	ZB Central clip	Steel	Zinc plated	Blue	11	
2	LB Clip bolt	Stainless steel	-	-	10	
2	LB Clip bolt	Steel	Zinc plated	Blue	9	
2	VS Locking clip	Stainless steel	-	-	8	
2	VS Locking clip	Steel	Zinc plated	Blue	7	
4	VS Clip bolt	Stainless steel	-	-	6	
1	O-Ring Pg21	Neoprene	-	Black	5	
1	Intermediate connecting piece 6kt Pg21	Brass	Nickel plated	-	4	
1	Intermediate connecting piece Pg21	Brass	Nickel plated	-	3	
1	HB Hood .24.Sto.1.21.Z	Aluminium	Aluminium oxide	Black	2	
1	HB Hood .24.Sto.1.21.Z	Aluminium	-	Grey	1	
2-3	DESCRIPTION	MATERIAL	SURFACE	COLOR	ITEM NO	REMARKS
1-3	ORDERING TEXT					
2-7	HB.24.Sto.1.21.Z					
1-7	HB-K.24.Sto.1.21.Z					
2-1	HB.24.Sto-VS.1.21.Z					
1-6	HB.24.Sto-GR.1.21.Z					
1-1	HB.24.Sto-GR.1.21.Z					
1-2	HB-K.24.Sto-GR.1.21.Z					
1-6	HB-Z.24.Sto.1.21.Z					
1-6	HB-K/Z.24.Sto.ZB.1.21.Z					

DIMENSIONS: mm		TOLERANCES UNLESS OTHERWISE SPECIFIED: 0 - 100 mm ±0.15 1 - 100 mm ±0.10 2 - 100 mm ±0.08 3 - 100 mm ±0.05 4 - 100 mm ±0.03 ANGLES ±0.5°		DWN: Schneider 12.11.1997 CHK: Schweiger 30.06.98 APVD:		NAME: Hood HB.24.Sto.1.21.Z	
MATERIAL:		FINISH:		PRODUCT SPEC: 108-74001 108-74003 APPLICATION SPEC: 114-74001 114-74004		SIZE: A   00779   C=1102324 SHEET 1 OF 1 REV A.6	
CUSTOMER DRAW ING				SCALE: 1:1		RESTRICTED TO:	

单击下面可查看定价，库存，交付和生命周期等信息

[>>TE Connectivity\(泰科\)](#)