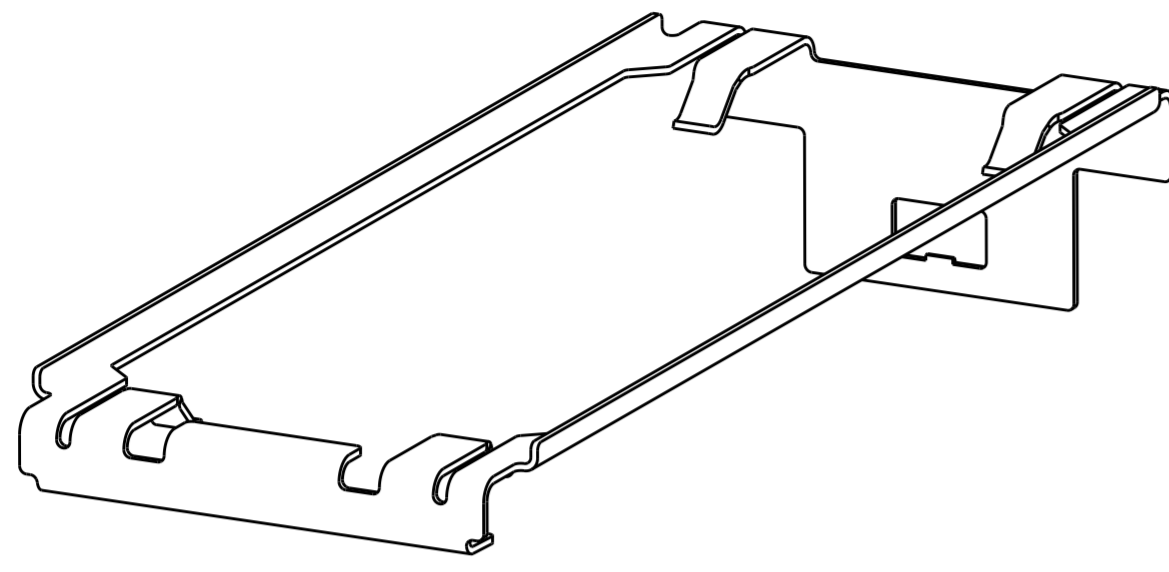
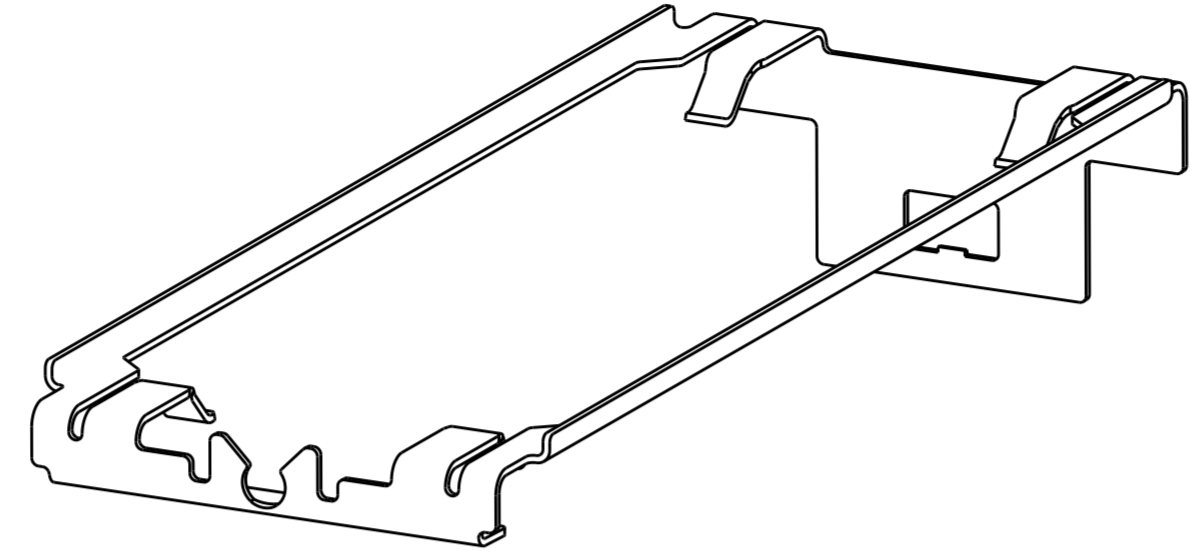


THIS DRAWING IS UNPUBLISHED. RELEASED FOR PUBLICATION  
 © COPYRIGHT copyright.d8te- ALL RIGHTS RESERVED.

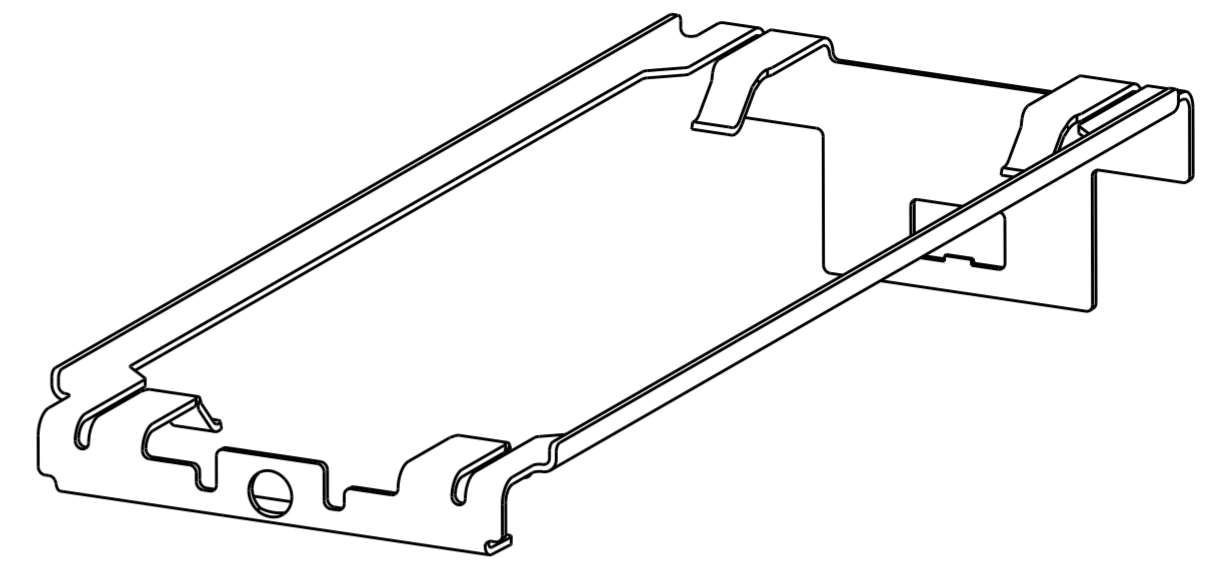
| REVISIONS |     |                           |           |       |
|-----------|-----|---------------------------|-----------|-------|
| P         | LTR | DESCRIPTION               | DATE      | APVD  |
| A         |     | INITIAL RELEASE           | 16DEC2014 | JY MC |
| B         |     | REVISED PER ECO-15-003702 | 10MAR2015 | JY MC |
| C         |     | REVISED PER ECO-18-013140 | 20AUG2018 | JY SH |



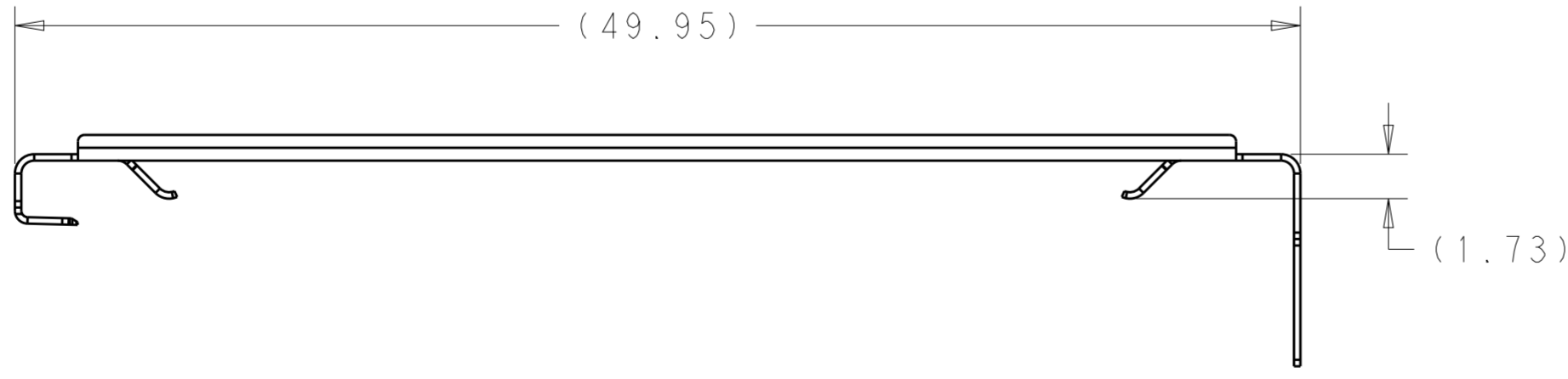
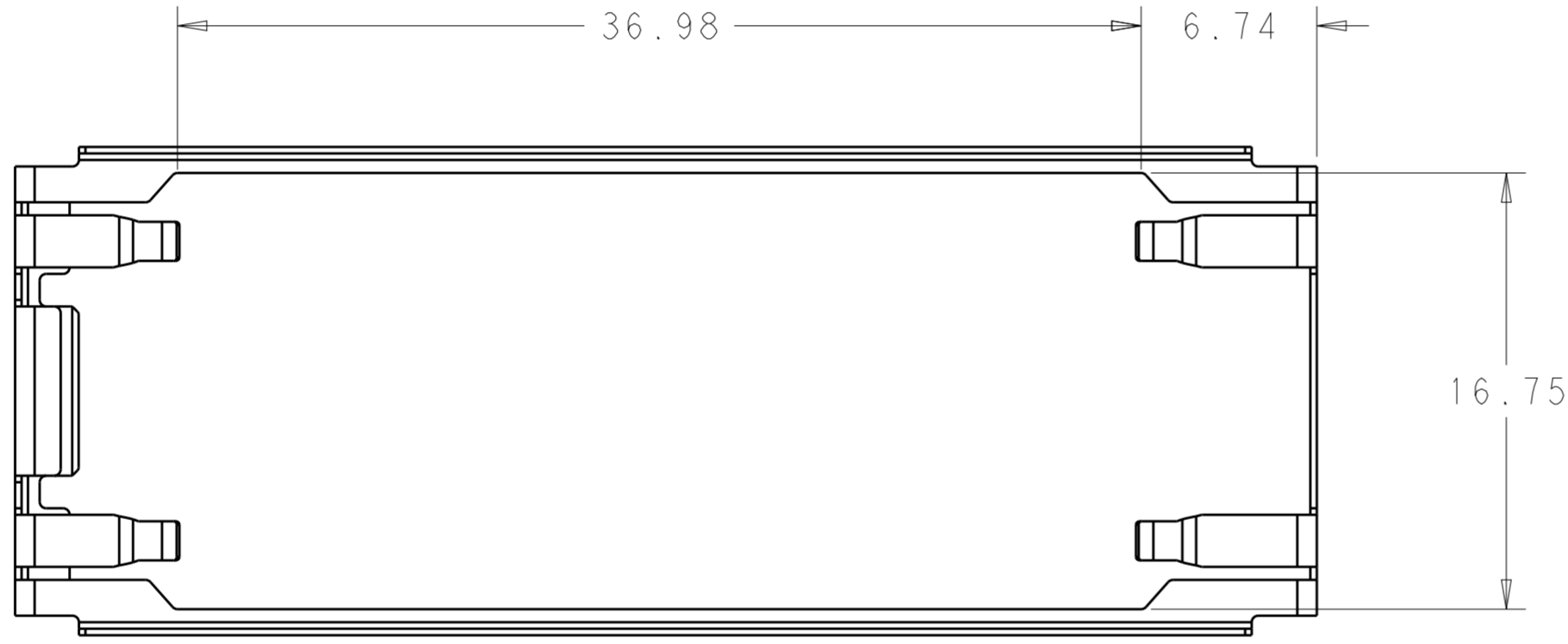
2227644-3  
SCALE 4:1



2227644-4  
SCALE 4:1

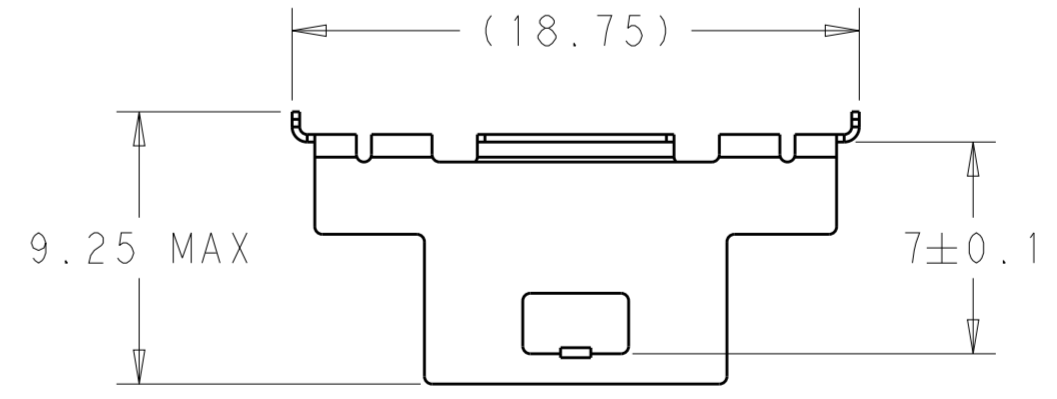


2227644-6  
SCALE 4:1



SCALE 4:1

1. MATERIAL: 0.25mm THICKNESS PASSIVATED STAINLESS STEEL.



|             |
|-------------|
| 2227644-6   |
| 2227644-4   |
| 2227644-3   |
| PART NUMBER |

|  |   |  |                            |  |
|--|---|--|----------------------------|--|
| THIS DRAWING IS A CONTROLLED DOCUMENT. |   | DWN 20-Aug-18<br>Jason Yang            | <b>STE</b> TE Connectivity |  |
|  |   | CHK 12AUG2014<br>Jason Yang            |                            |  |
| DIMENSIONS: mm                         |   | TOLERANCES UNLESS OTHERWISE SPECIFIED: |                            | NAME                                     |
| 0 PLC ±                                |   | 1 PLC ±0.3                             |                            | CLIP, HEAT SINK, THRU BEZEL, 1X4, zQSFP+ |
| 2 PLC ±0.25                            |   | 3 PLC ±                                |                            |  |
| 4 PLC ±                                |   | ANGLES ±                               |                            |  |
| FINISH                                 |   | FINISH                                 |                            |  |
| MATERIAL                               | - | PRODUCT SPEC                           | -                          | SIZE                                     |
|  |   | APPLICATION SPEC                       | -                          | CAGE CODE                                |
|  |   | WEIGHT                                 | -                          | DRAWING NO                               |
|  |   | Customer Drawing                       |                            | A200779                                  |
|  |   | SCALE                                  | 2:1                        | DRAWING NO                               |
|  |   | SHEET                                  | 1 OF 1                     | RESTRICTED TO                            |
|  |   | REV                                    | C                          |  |

单击下面可查看定价，库存，交付和生命周期等信息

[>>TE Connectivity\(泰科\)](#)