

4

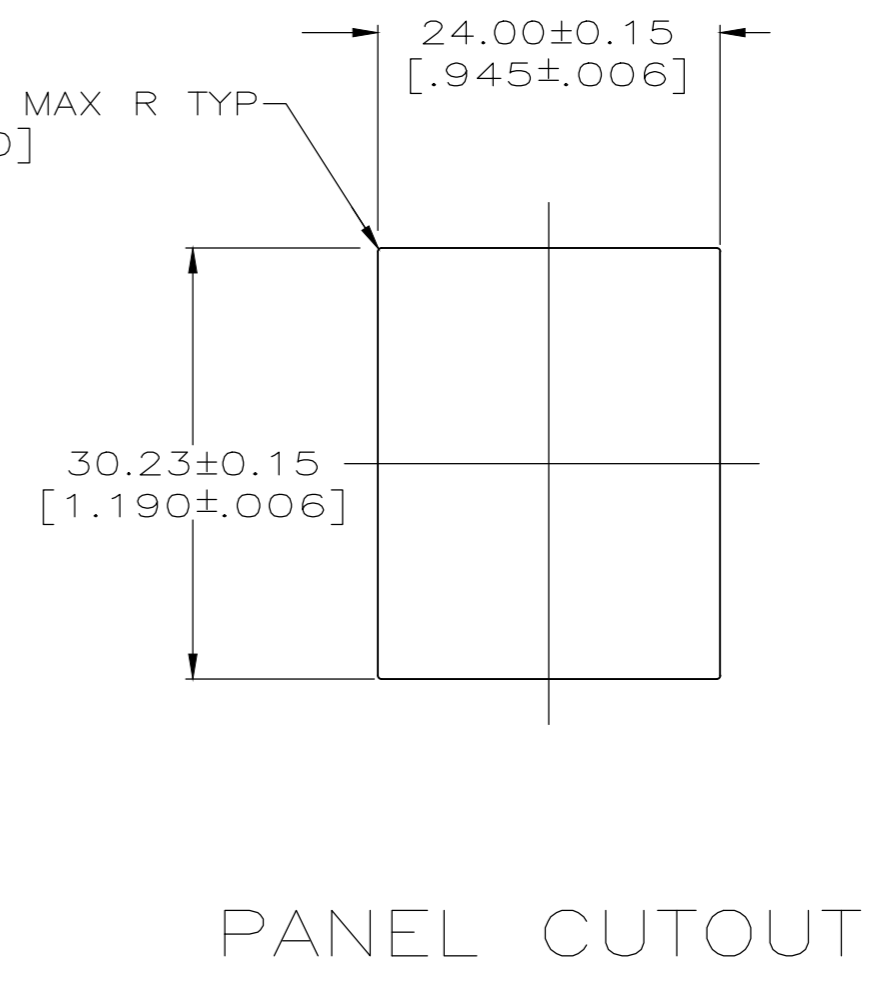
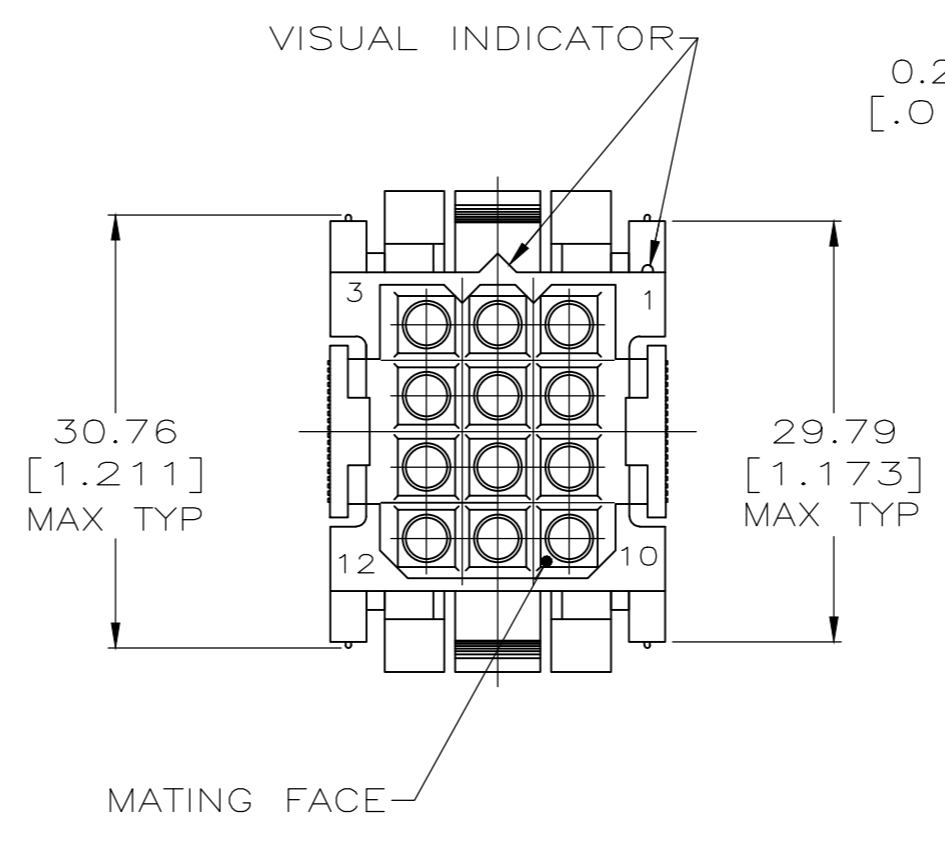
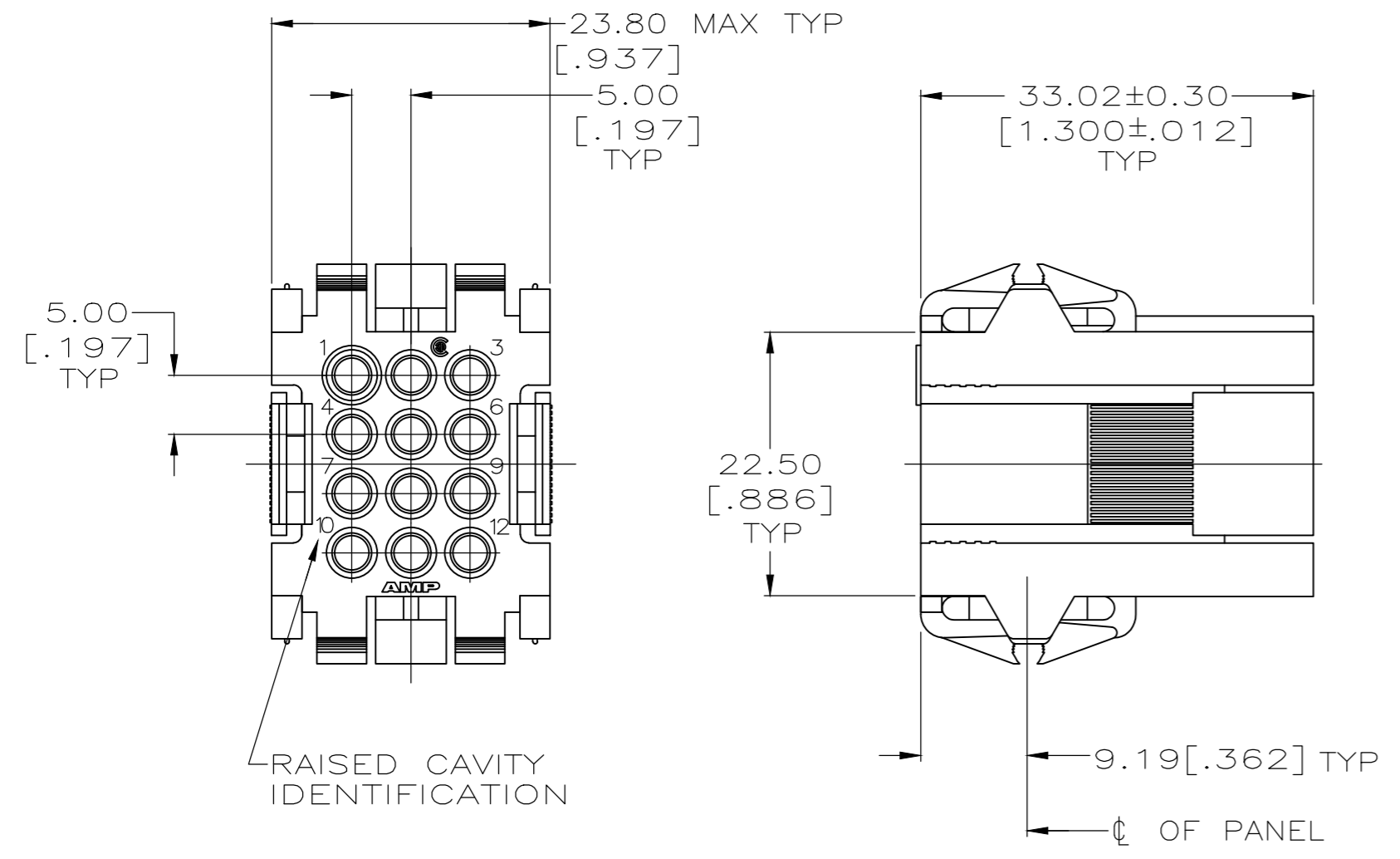
3

2

1

THIS DRAWING IS UNPUBLISHED. RELEASED FOR PUBLICATION
 © COPYRIGHT - By - ALL RIGHTS RESERVED.

REVISIONS				
P	LTR	DESCRIPTION	DATE	APVD
R		REVISED PER ECO-20-002227	19FEB2020	RK MZ



- 1 PANEL RETENTION MECHANISM ACCOMMODATES PANEL THICKNESSES FROM 0.76[.030] TO 2.29[.090].
- 2 SAME AS 207018-1 EXCEPT: ROUNDED EDGES ON THE OUTSIDE OF THE HOUSING AND A 45° ANGLE ON THE OUTSIDE OF THE HOUSING BY THE LOCKING LATCHES, REF 927675.
- 3 HOUSING MATERIAL: PA66, BLACK, UL 94 V-0 RATED.

2 SUPERSEDED BY 207018-1	207018-2
	207018-1
	PART NO

THIS DRAWING IS A CONTROLLED DOCUMENT.		DWN W.LENKER 08/26/92	TE Connectivity HOUSING, RECEPTACLE, 12 POSITION, METRIMATE	
DIMENSIONS: mm [INCHES]		CHK R.STONE 8-31-92		
TOLERANCES UNLESS OTHERWISE SPECIFIED:		APVD -	NAME	
0 PLC ± -		PRODUCT SPEC	108-10033	
1 PLC ± -		APPLICATION SPEC	-	
2 PLC ± 0.25 [.010]		SIZE	CAGE CODE	DRAWING NO
3 PLC ± -		WEIGHT	A2	00779
4 PLC ± -		CUSTOMER DRAWING	C-207018	
ANGLES ± -		SCALE	2:1	
FINISH -		SHEET	1 of 1	
MATERIAL 3		REV	R	

207018
B

A

单击下面可查看定价，库存，交付和生命周期等信息

[>>TE Connectivity\(泰科\)](#)