

NOTES:

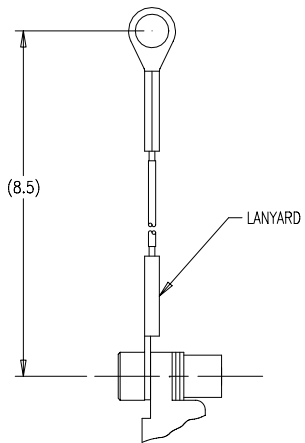
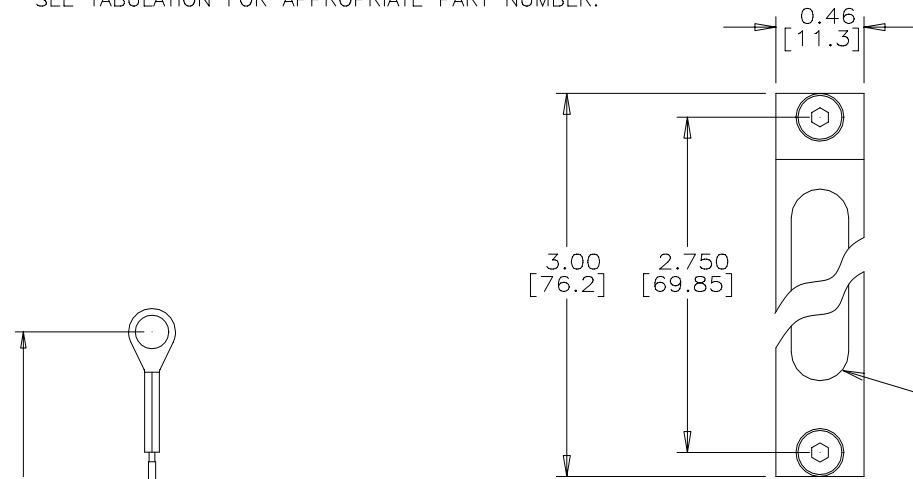
1. THIS PROTECTIVE COVER IS DESIGNED TO PROTECT THE INTERFACE OF MTC100 PLUG CONNECTORS. THE PARTS ALSO OFFER ELECTROMAGNETIC EMISSION PROTECTION.

2. **MATING TORQUE**
FOR PROPER MATING CONDITION, SCREWS MUST BE EQUALLY TIGHTENED AND LOOSENED BY ONE HALF TURN A TIME TO PREVENT ANY DAMAGES TO THE MATING GASKET. RETENTION SCREWS ARE TO BE TORQUED TO 7 ± 0.5 in-lbs.

3. MATERIAL:
- a. HOUSING ALUMINUM ALLOY PER QQ-A-601 OR QQ-A-225
 - b. ADAPTER SCREW STAINLESS STEEL PER QQ-S-763
 - c. GASKET CONDUCTIVE FLUOROSILICONE ELASTOMER
 - d. FLAT WASHER STAINLESS STEEL PER QQ-S-766
 - e. ADAPTER NUT STAINLESS STEEL PER QQ-S-766
 - f. PANEL WASHER STAINLESS STEEL PER QQ-S-766
 - g. LANYARD STAINLESS STEEL PER QQ-S-766

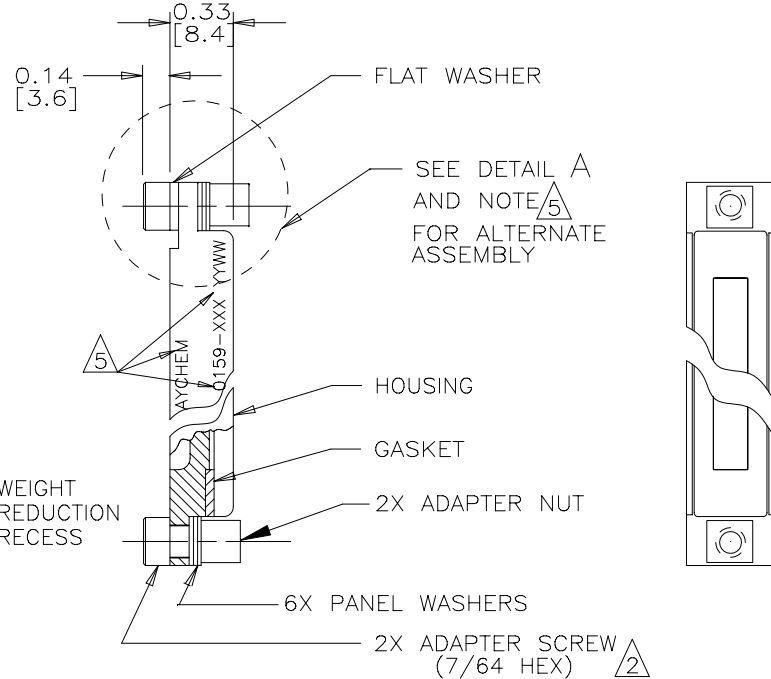
4. FINISH:
- a. HOUSING CADMIUM PLATE PER QQ-P-416 OVER NICKEL UNDERPLATE
 - b. ADAPTER SCREW CADMIUM PLATE PER QQ-P-416
 - c. FLAT WASHER CADMIUM PLATE PER QQ-P-416
 - d. ADAPTER NUT CADMIUM PLATE PER QQ-P-416
 - e. PANEL WASHER CADMIUM PLATE PER QQ-P-416
 - f. LANYARD CADMIUM PLATE PER QQ-P-416

5. "RAYCHEM", PART NUMBER AND DATE CODE STAMPED APPROXIMATELY AS SHOWN. SEE TABULATION FOR APPROPRIATE PART NUMBER.



DETAIL A
FOR CHA-0159-009 PART ONLY

5 PART NUMBER	DESCRIPTION	WEIGHT (MAXIMUM)
CHA-0159	WITHOUT LANYARD	.044 LBS. [20.13 gr.]
CHA-0159-009	WITH LANYARD PER DETAIL A	.047 LBS. [21.44gr.]



SPECIFICATION CONTROL DRAWING

UNLESS OTHERWISE SPECIFIED DIMENSIONS ARE IN INCHES. METRIC DIMENSIONS ARE IN BRACKETS.	DRAWN	ZS.ORBAN	11/9/2001	tyco /Electronics/Raychem WIRE AND HARNESSING PRODUCTS 307 CONSTITUTION DRIVE MENLO PARK, CALIFORNIA 94025
	CHECKED			
DECIMALS .XXX ±.010 { .25 mm } .XX ±.02 { .5 mm }	APPROVED			TITLE COVER, PROTECTIVE, RECEPTACLE TYPE, 2", EME COMPATIBLE MTC100 SERIES
	APPROVED	M.HIGGY	11/9/2001	
ANGLES .X ±	CAD NAME	T30327.DWG		
WEIGHT SEE TABULATION	THIRD ANGLE PROJECTION			
DO NOT SCALE THIS DRAWING				SIZE A CODE IDENT. NO. 06090 DWG. NO. CHA-0159-XXX REV A

**If this document is printed it becomes uncontrolled.
Check with the web for latest revision.**

REVISIONS			
LTR	DESCRIPTION	DATE	APPROVED
A	REVISED PER ECN T-30327	11/30/2001	M.HIGGY

DWG NO. CHA-0159XXX SHEET 1

单击下面可查看定价，库存，交付和生命周期等信息

[>>TE Connectivity\(泰科\)](#)