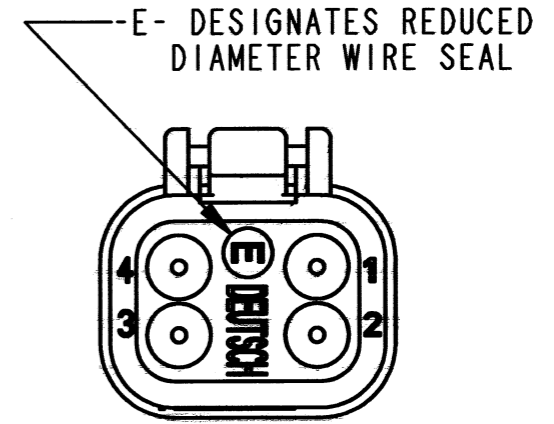
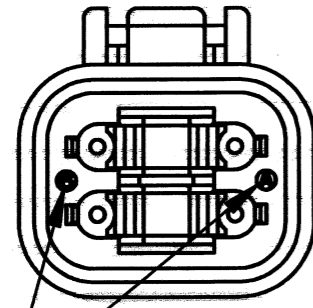
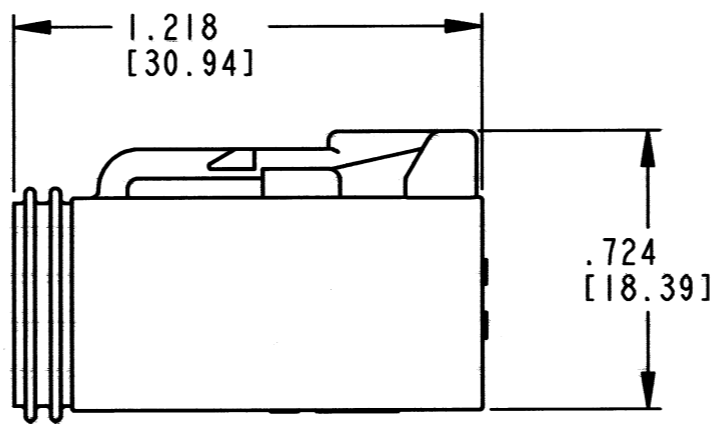
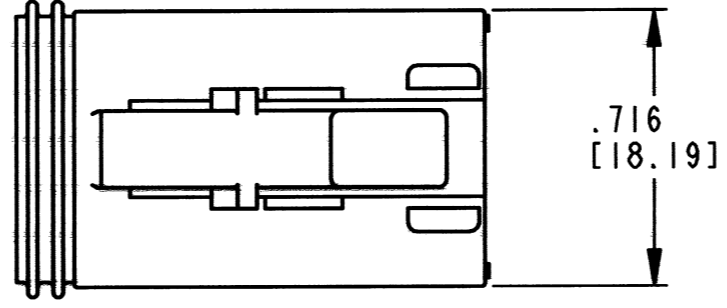
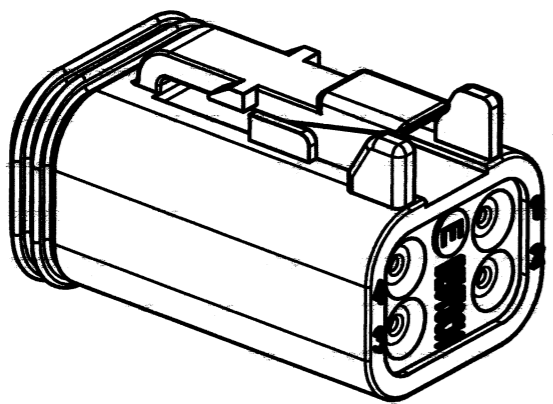


REV  
A DT06-4S-C015

REVISIONS			
SYM	DESCRIPTION	DATE	APPROVED
NC	NEW RELEASE PER E.O. P17200	3-29-01	R.D.R.
A	REVISED PER E.O. P21282	4-12-12	RDR

CONTACT SIZE	MIN. INSUL O.D.	MAX. INSUL O.D.	WIRE RANGE [mm <sup>2</sup> ]
16	.053 [1.35]	.120 [3.05]	14-20 AWG [2.0-0.5]



DATE CODE: YEAR TO BE REPRESENTED BY LAST NUMERICAL DIGIT, EX: 6=2006  
MONTH USES SEQUENTIAL ALPHA CHARACTERS, EX: A=JANUARY


- 5. THIS PLUG MATES WITH THE DT04-4P-\*\*\*\*RECEPTACLE. (\*\*\*\*=ALL MODIFICATIONS). CONTACT FACTORY FOR MODIFICATION.
- 4. FOR CONTACTS AND WIRE PERFORMANCE AND APPLICATION CHARACTERSTICS, SEE ENVELOPE DRAWING 0425-015-0000 AND 0425-017-0000.
- 3. MATERIAL - HOUSING: PLASTIC; COLOR: GRAY  
SEALS: RUBBER
- 2. ALL DIMENSIONS ARE ±.025[0.63] UNLESS OTHERWISE SPECIFIED.

NOTES: 1. ALL DIMENSIONS ARE INCHES [MILLIMETERS].

SIGNATURE & DATE	
DR	T. YOHANNES 20MAR01
CHK	B. Sanford 4/11/2012
PE	A. Messers 7/6/12
APPD	S. Beaudin 4/12
SCALE	NONE WT

4 WAY PLUG  
W/REDUCED WIRE SEAL  
-C015 MOD.  
DT SERIES

ENVELOPE

EP	MATL. CODE
 3850 INDUSTRIAL AVE. HEMET, CA 92545	
<b>DEUTSCH</b> INDUSTRIAL	
<b>B</b>	<b>DT06-4S-C015</b>
DWG SIZE	CODE SHEET   OF
11139	

单击下面可查看定价，库存，交付和生命周期等信息

[>>TE Connectivity\(泰科\)](#)