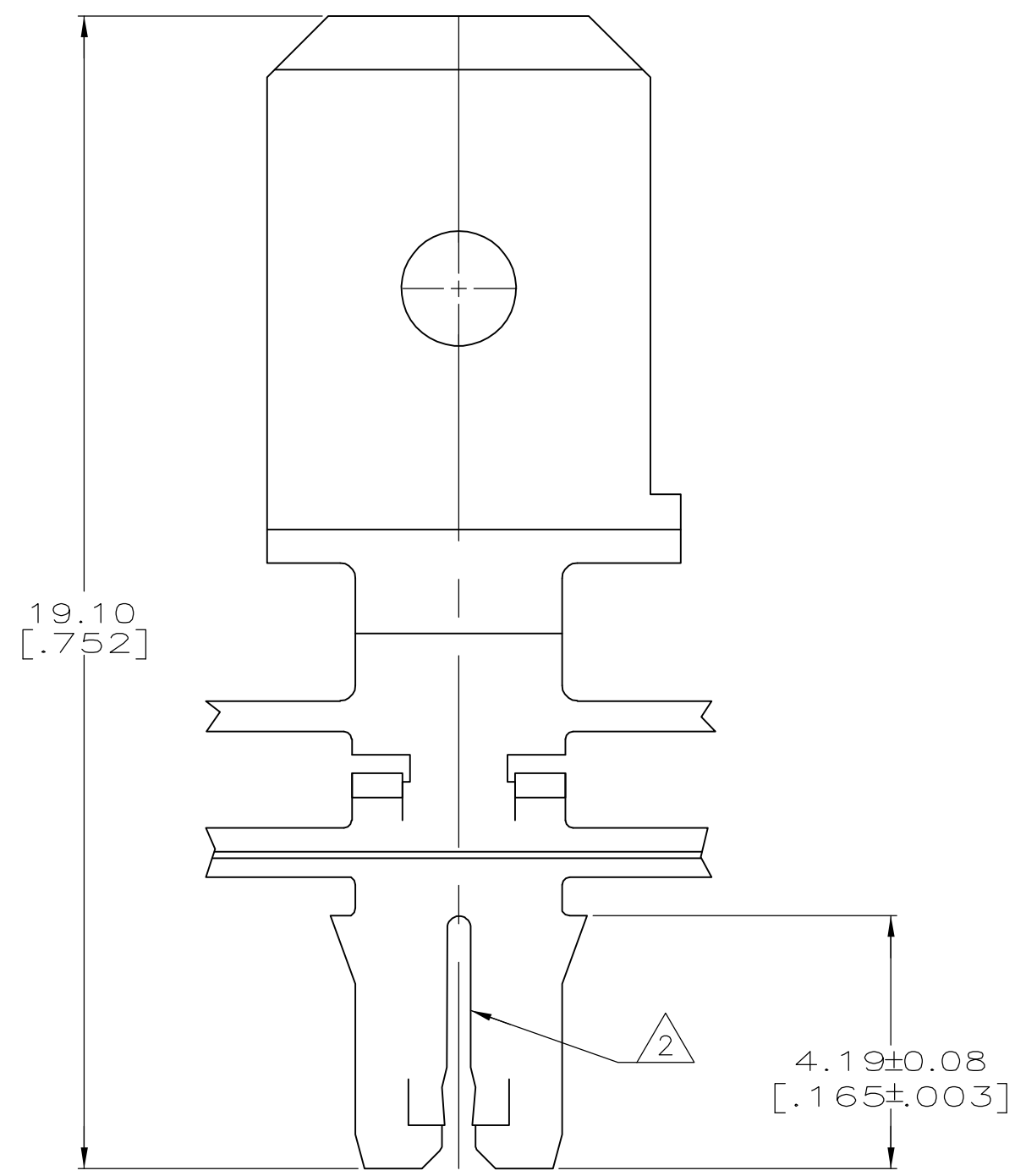
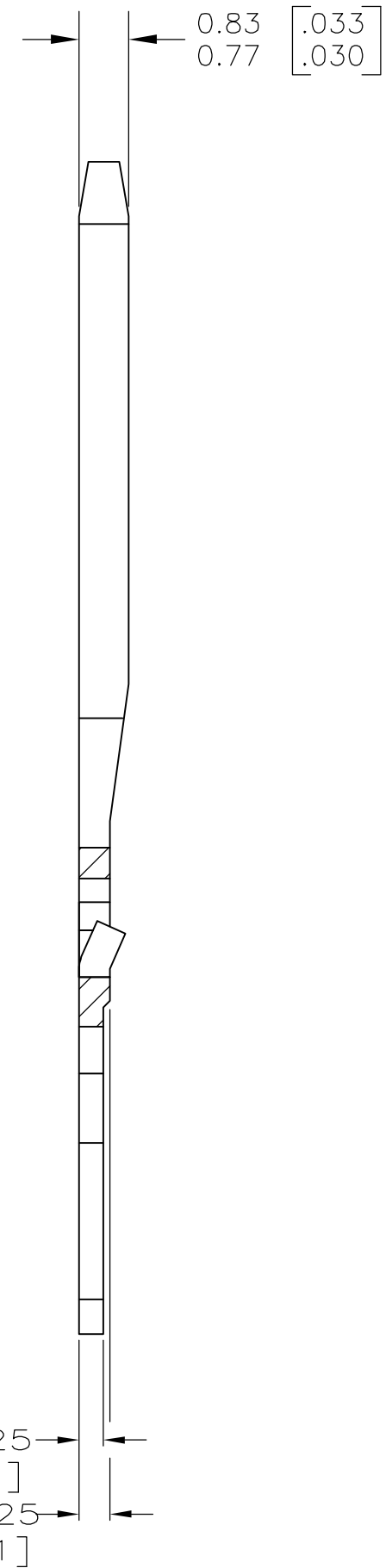
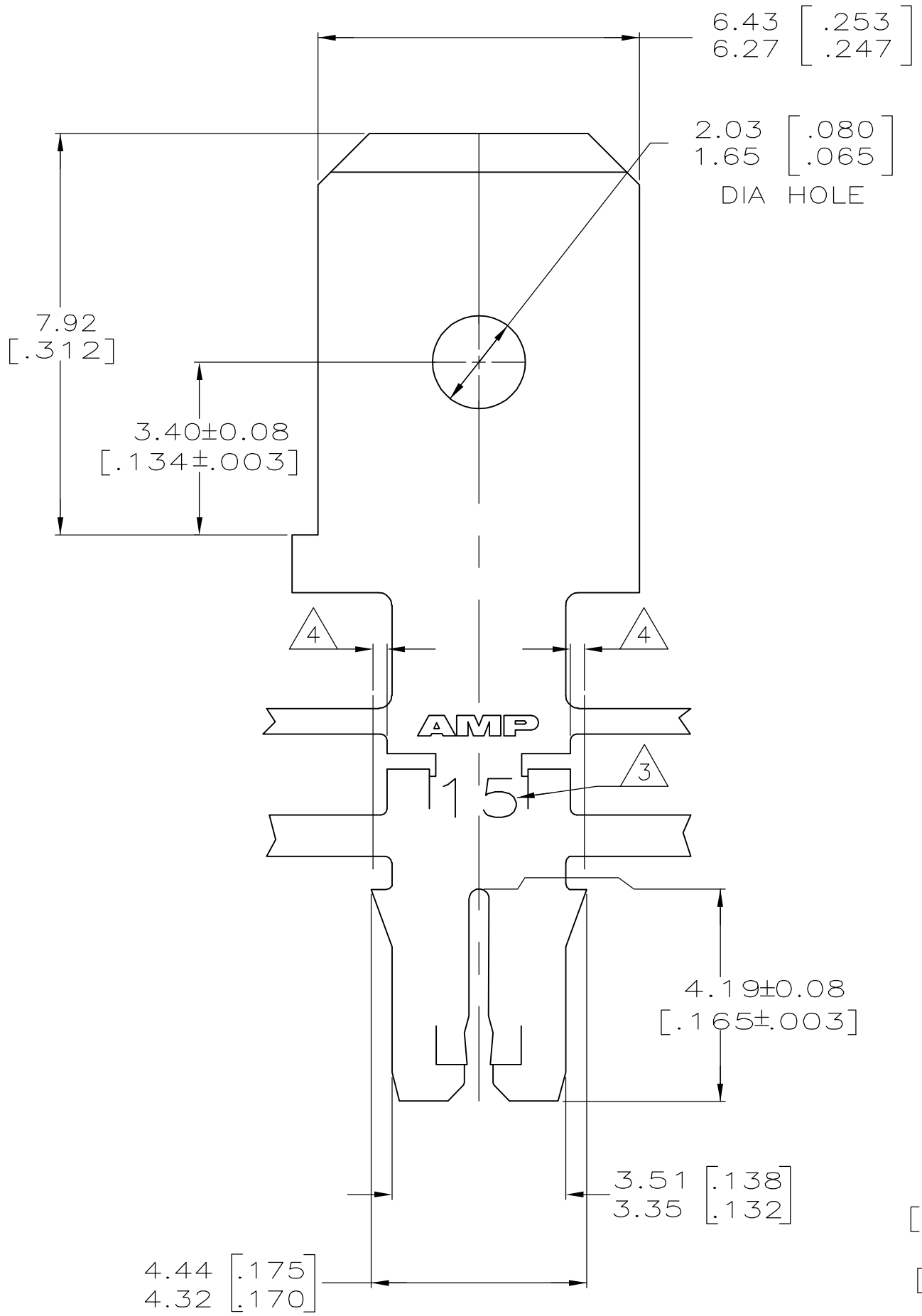


THIS DRAWING IS UNPUBLISHED. RELEASED FOR PUBLICATION
 © COPYRIGHT BY TYCO ELECTRONICS CORPORATION. ALL RIGHTS RESERVED.

LOC		DIST		REVISIONS					
AF		50		P	LTR	DESCRIPTION	DATE	DWN	APVD
				J		REVISED PER ECR-06-010423	21SEP06	HMR	KR

- 1 CONTINUOUS STRIP ON REELS WITH TERMINALS LOCATED ON 8.38 ± 0.08 [$.330 \pm .003$] CENTERS
- 2 SLOT ACCEPTS 0.57-0.81mm [#23-#20] AWG COPPER MAGNET WIRE. TWO WIRES OF THE SAME SIZE MAX PER SLOT FOR #23 GAGE. ONE WIRE MAX PER SLOT FOR #22-#20 AWG
- 3 IDENTIFICATION NUMBER 15 FOR THE MAGNET WIRE SLOT SIZE
- 4 0.25[.010] MAX CARRIER CUT-OFF TABS



OBSOLETE	082 PRE-MILLED BRASS	63719-2
	4M PRE-MILLED BRASS	63719-1
	MATERIAL	PART NO

THIS DRAWING IS A CONTROLLED DOCUMENT.		DWN	L.A.MAYER	9-27-93		Tyco Electronics Corporation	
DIMENSIONS: mm [INCHES]		CHK	M.S. FEHER	9-27-93		Harrisburg, PA 17105-3608	
TOLERANCES UNLESS OTHERWISE SPECIFIED:		APVD	A.HUNT III	9-27-93	NAME		
0 PLC	± -	PRODUCT SPEC		TAB, 6.35 [.250] FASTON™			
1 PLC	± -	APPLICATION SPEC		MAG-MATE™ Slim Line			
2 PLC	± 0.13 [.005]	108-1484		SIZE			
3 PLC	± -	114-2140		CAGE CODE	DRAWING NO	RESTRICTED TO	
4 PLC	± -	MIN TIN PLATE		00779	63719	-	
ANGLES	± 1°	MATERIAL		A2		-	
SEE TABLE		FINISH		00779		-	
		0.002032 [.000080]		00779		-	
		MIN TIN PLATE		00779		-	
		CUSTOMER DRAWING		00779		-	
		SCALE 10:1		SHEET 1 of 1		REV J	

单击下面可查看定价，库存，交付和生命周期等信息

[>>TE Connectivity\(泰科\)](#)