

THIS DRAWING IS UNPUBLISHED.

RELEASED FOR PUBLICATION

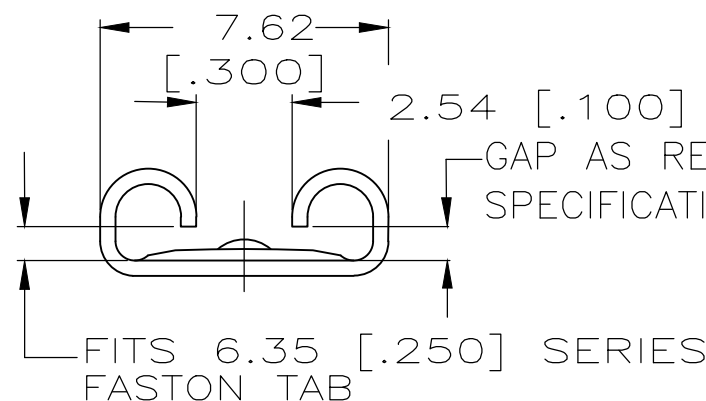
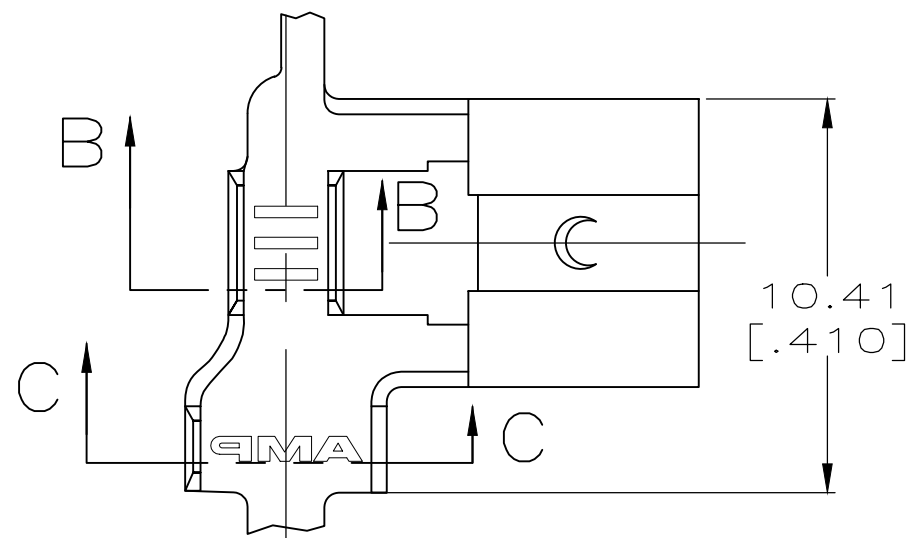
ALL RIGHTS RESERVED.

© COPYRIGHT - By -

LOC AF DIST 50

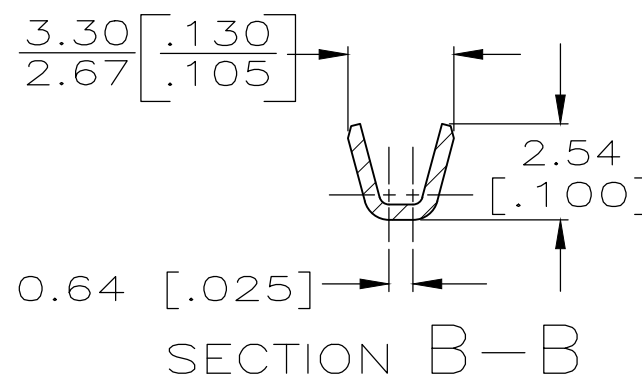
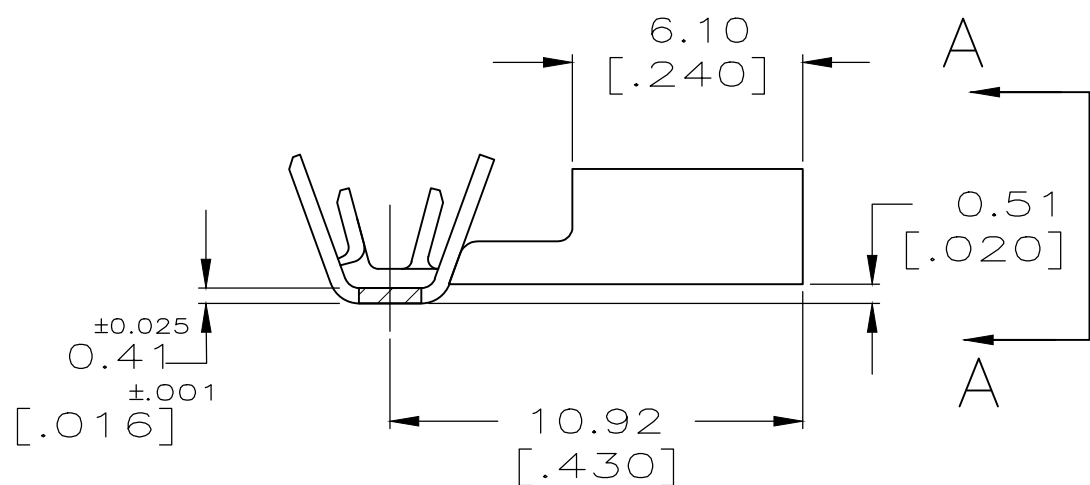
REVISIONS

P	LTR	DESCRIPTION	DATE	DWN	APVD
F1		REVISED PER ECR-20-009164	28JUL2020	MK	DH

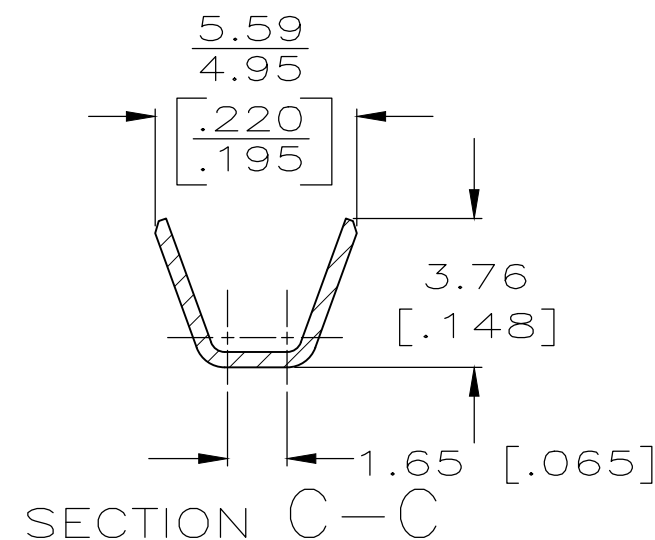


1 CONTINUOUS STRIP ON REELS.

VIEW A-A




SECTION B-B



SECTION C-C

TIN	1.52-2.54 [.060-.100] DIA	0.3-0.9mm ² [22-18] AWG	0.84-0.76 [.033-.030]	62814-2
-				62814-1
FINISH	INSUL RANGE	WIRE SIZE	MATING TAB THK	PART NO

THIS DRAWING IS A CONTROLLED DOCUMENT.		DWN JR RUTH 4/8/91	 TE Connectivity RECEPTACLE, FASTON, FLAG, 6.35 [.250] SERIES					
DIMENSIONS: mm [INCHES]		CHK MS FEHER 4/8/91						
TOLERANCES UNLESS OTHERWISE SPECIFIED:		APVD C MEYERS 4/8/91						
0 PLC ± - 1 PLC ± - 2 PLC ± - 3 PLC ± 0.38 [.015] 4 PLC ± - ANGLES ± -		NAME						
MATERIAL BRASS		FINISH SEE TABLE	PRODUCT SPEC	SIZE	CAGE CODE	DRAWING NO	RESTRICTED TO	
			APPLICATION SPEC	A3	00779	C-62814	-	
			WEIGHT -	CUSTOMER DRAWING		SCALE 5:1	SHEET 1 OF 1	REV F1

单击下面可查看定价，库存，交付和生命周期等信息

[>>TE Connectivity\(泰科\)](#)