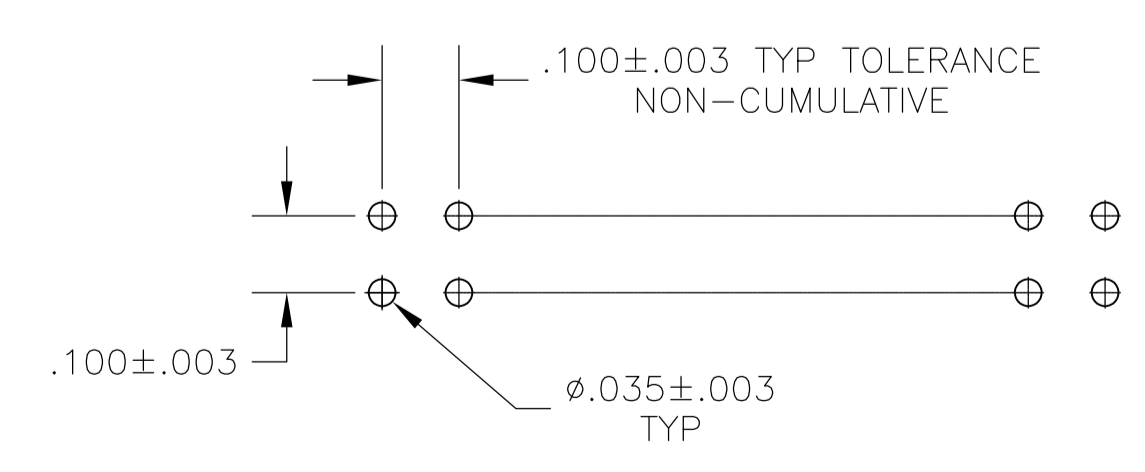
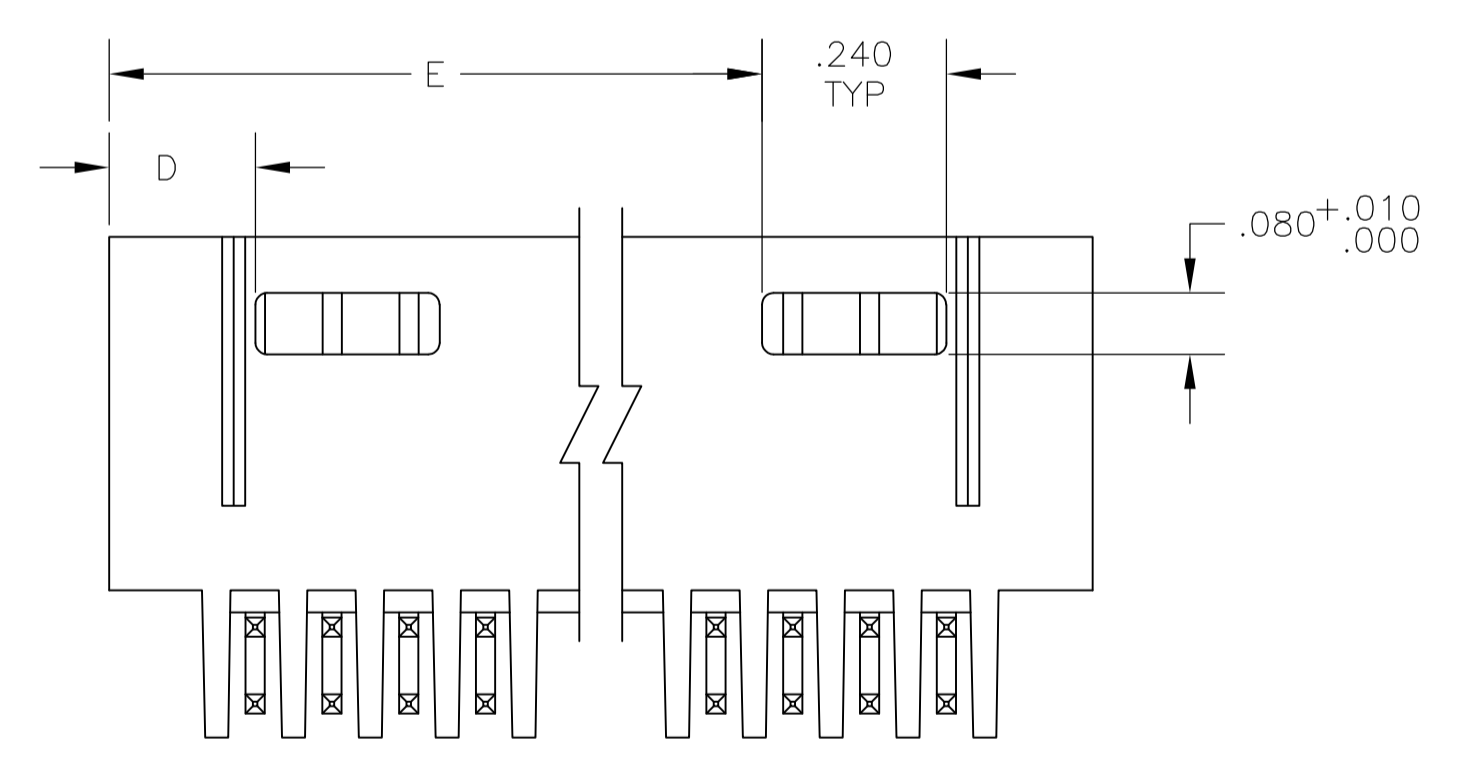
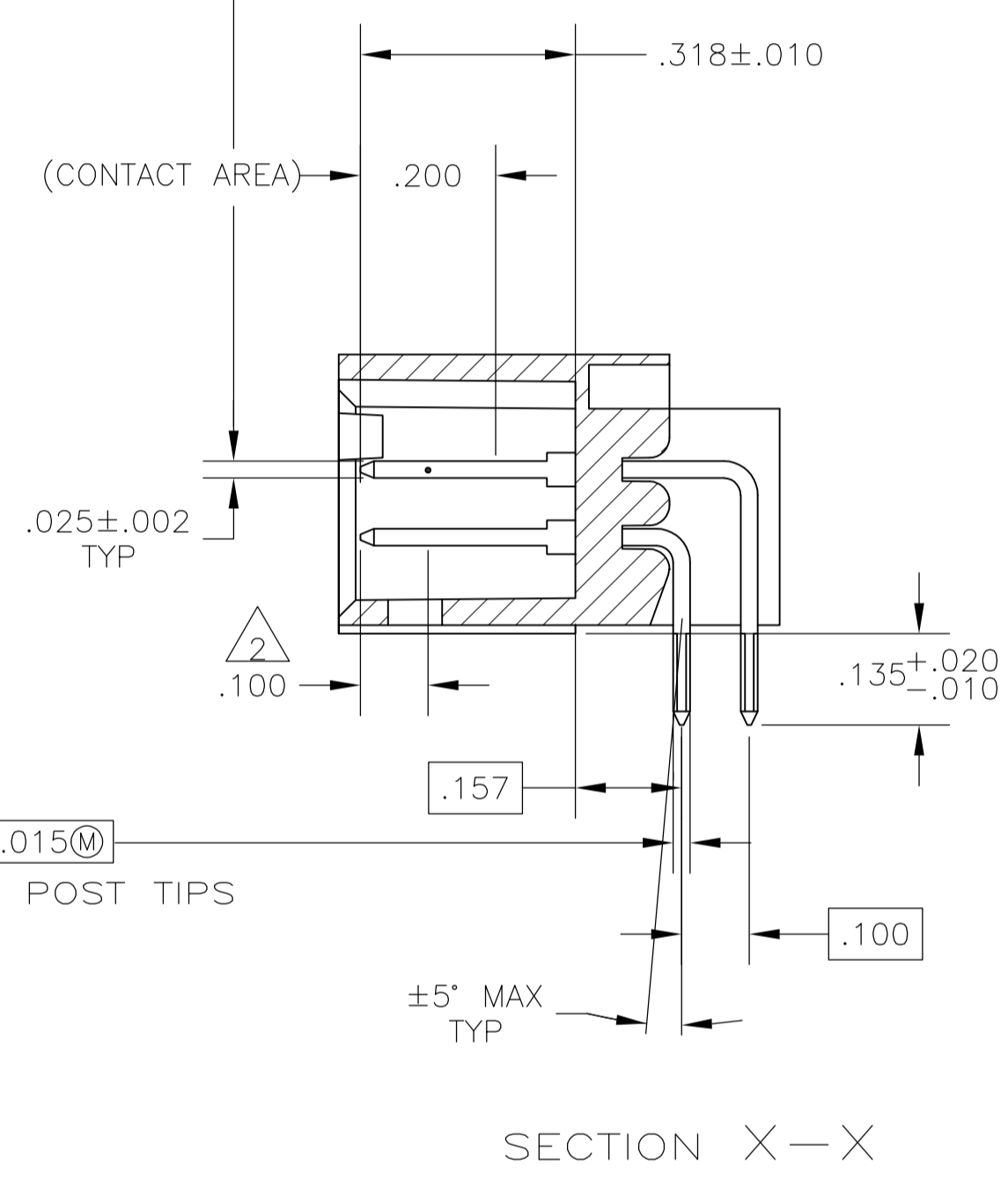
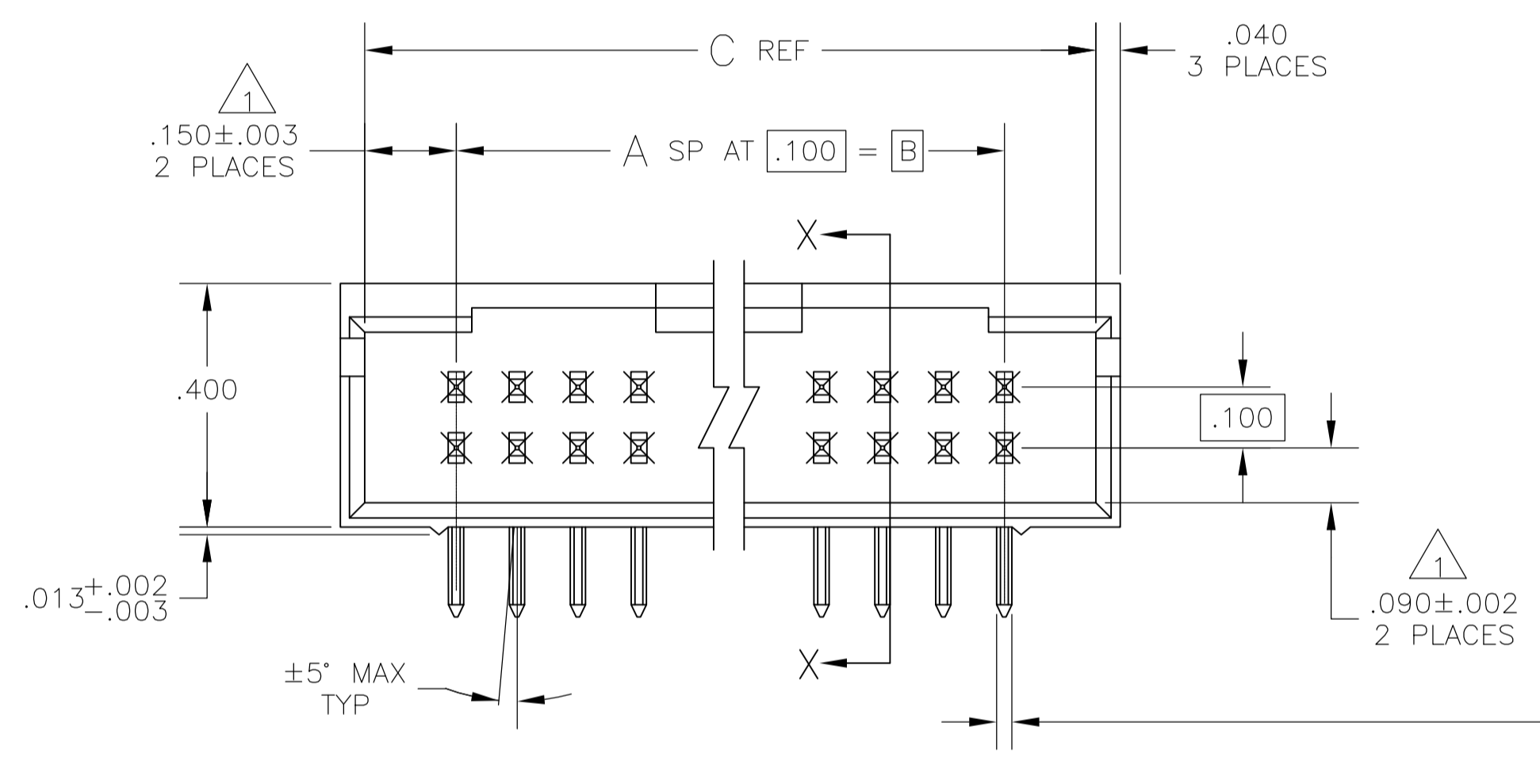
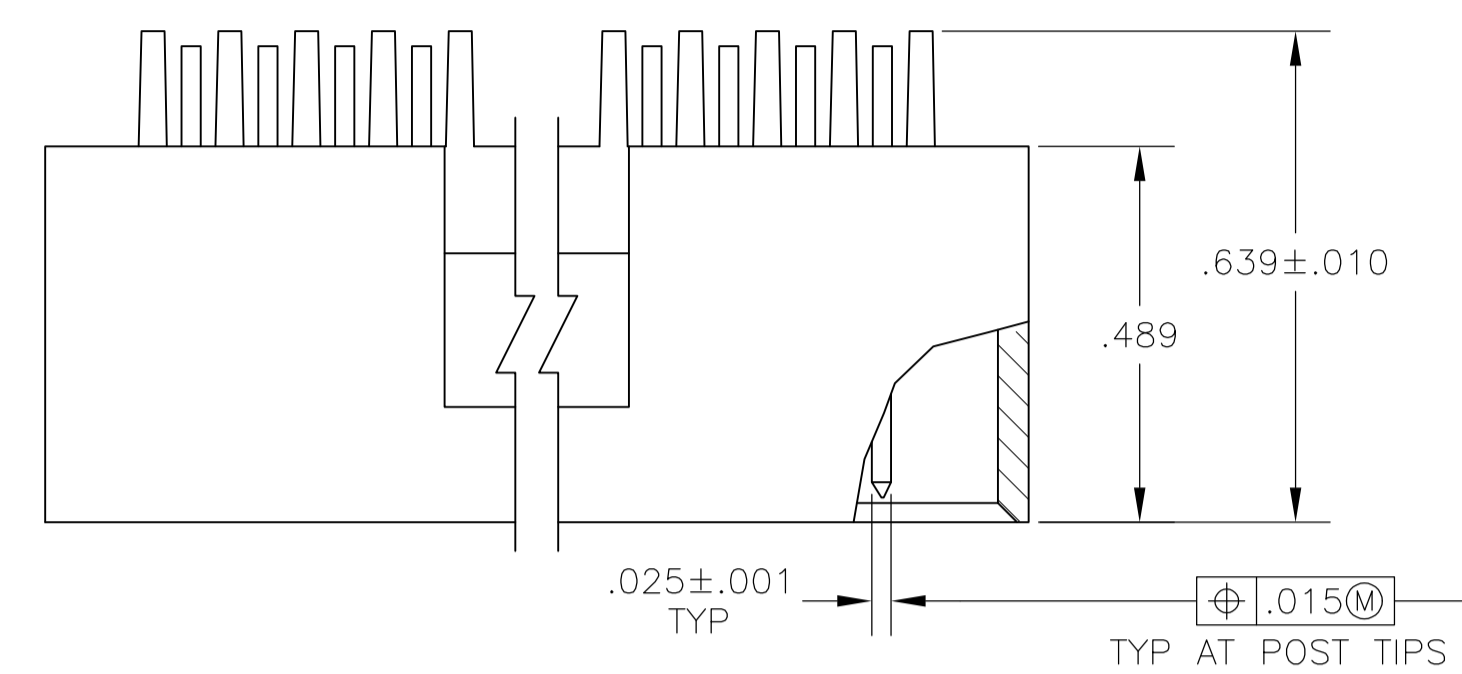


LOC		DIST		REVISIONS				
AD	00	P	LTR	DESCRIPTION	DATE	DMN	APVO	
		N4	REVISED	PER ECO-12-008028	27APR12	KH	MM	

- 1 THE NOTED DIMENSION APPLIES AT THE INTERSECTION OF THE POST AND HOUSING
- 2 POINT OF MEASUREMENT FOR PLATING THICKNESS.
- 3 POSTS: .000030 GOLD IN CONTACT AREA .000100-.000200 MATTE TIN LEAD ON SOLDER TAIL, ALL OVER .000050 NICKEL
- 4 POSTS: .000030 GOLD IN CONTACT AREA .000100-.000200 MATTE TIN ON SOLDER TAIL, ALL OVER .000050 NICKEL
- 5 OBSOLETE PARTS: OBSOLETE CIS STREAMLINING PER D.RENAUD/D.SINISI



PLATING	E	D	C	B	A	NO OF POSN	ASSEMBLY PART NUMBER		
5 OBSOLETE	4	4	3.490	.190	3.800	3.500	35	72	8-103167-3
5 OBSOLETE	4	4	3.390	.190	3.700	3.400	34	70	8-103167-2
5 OBSOLETE	4	4	3.290	.190	3.600	3.300	33	68	8-103167-1
5 OBSOLETE	4	4	3.190	.190	3.500	3.200	32	66	8-103167-0
5 OBSOLETE	4	4	3.090	.190	3.400	3.100	31	64	7-103167-9
5 OBSOLETE	4	4	2.990	.190	3.300	3.000	30	62	7-103167-8
5 OBSOLETE	4	4	2.890	.190	3.200	2.900	29	60	7-103167-7
5 OBSOLETE	4	4	2.790	.190	3.100	2.800	28	58	7-103167-6
5 OBSOLETE	4	4	2.690	.190	3.000	2.700	27	56	7-103167-5
5 OBSOLETE	4	4	2.590	.190	2.900	2.600	26	54	7-103167-4
5 OBSOLETE	4	4	2.490	.190	2.800	2.500	25	52	7-103167-3
5 OBSOLETE	4	4	2.390	.190	2.700	2.400	24	50	7-103167-2
5 OBSOLETE	4	4	2.290	.190	2.600	2.300	23	48	7-103167-1
5 OBSOLETE	4	4	2.190	.190	2.500	2.200	22	46	7-103167-0
5 OBSOLETE	4	4	2.090	.190	2.400	2.100	21	44	6-103167-9
5 OBSOLETE	4	4	1.990	.190	2.300	2.000	20	42	6-103167-8
5 OBSOLETE	4	4	1.890	.190	2.200	1.900	19	40	6-103167-7
5 OBSOLETE	4	4	1.790	.190	2.100	1.800	18	38	6-103167-6
5 OBSOLETE	4	4	1.690	.190	2.000	1.700	17	36	6-103167-5
5 OBSOLETE	4	4	1.590	.190	1.900	1.600	16	34	6-103167-4
5 OBSOLETE	4	4	1.490	.190	1.800	1.500	15	32	6-103167-3
5 OBSOLETE	4	4	1.390	.190	1.700	1.400	14	30	6-103167-2
5 OBSOLETE	4	4	1.290	.190	1.600	1.300	13	28	6-103167-1
5 OBSOLETE	4	4	1.190	.190	1.500	1.200	12	26	6-103167-0
5 OBSOLETE	4	4	1.090	.190	1.400	1.100	11	24	5-103167-9
5 OBSOLETE	4	4	.990	.190	1.300	1.000	10	22	5-103167-8
5 OBSOLETE	4	4	.890	.190	1.200	.900	9	20	5-103167-7
5 OBSOLETE	4	4	.790	.190	1.100	.800	8	18	5-103167-6
5 OBSOLETE	4	4	.690	.190	1.000	.700	7	16	5-103167-5
5 OBSOLETE	4	4	.590	.190	.900	.600	6	14	5-103167-4
5 OBSOLETE	4	4	.490	.190	.800	.500	5	12	5-103167-3
5 OBSOLETE	4	4	.390	.190	.700	.400	4	10	5-103167-2
5 OBSOLETE	4	4	.290	.190	.600	.300	3	8	5-103167-1
5 OBSOLETE	3	3	3.490	.190	3.800	3.500	35	72	3-103167-3
5 OBSOLETE	3	3	3.390	.190	3.700	3.400	34	70	3-103167-2
5 OBSOLETE	3	3	3.290	.190	3.600	3.300	33	68	3-103167-1
5 OBSOLETE	3	3	3.190	.190	3.500	3.200	32	66	3-103167-0
5 OBSOLETE	3	3	3.090	.190	3.400	3.100	31	64	2-103167-9
5 OBSOLETE	3	3	2.990	.190	3.300	3.000	30	62	2-103167-8
5 OBSOLETE	3	3	2.890	.190	3.200	2.900	29	60	2-103167-7
5 OBSOLETE	3	3	2.790	.190	3.100	2.800	28	58	2-103167-6
5 OBSOLETE	3	3	2.690	.190	3.000	2.700	27	56	2-103167-5
5 OBSOLETE	3	3	2.590	.190	2.900	2.600	26	54	2-103167-4
5 OBSOLETE	3	3	2.490	.190	2.800	2.500	25	52	2-103167-3
5 OBSOLETE	3	3	2.390	.190	2.700	2.400	24	50	2-103167-2
5 OBSOLETE	3	3	2.290	.190	2.600	2.300	23	48	2-103167-1
5 OBSOLETE	3	3	2.190	.190	2.500	2.200	22	46	2-103167-0
5 OBSOLETE	3	3	2.090	.190	2.400	2.100	21	44	1-103167-9
5 OBSOLETE	3	3	1.990	.190	2.300	2.000	20	42	1-103167-8
5 OBSOLETE	3	3	1.890	.190	2.200	1.900	19	40	1-103167-7
5 OBSOLETE	3	3	1.790	.190	2.100	1.800	18	38	1-103167-6
5 OBSOLETE	3	3	1.690	.190	2.000	1.700	17	36	1-103167-5
5 OBSOLETE	3	3	1.590	.190	1.900	1.600	16	34	1-103167-4
5 OBSOLETE	3	3	1.490	.190	1.800	1.500	15	32	1-103167-3
5 OBSOLETE	3	3	1.390	.190	1.700	1.400	14	30	1-103167-2
5 OBSOLETE	3	3	1.290	.190	1.600	1.300	13	28	1-103167-1
5 OBSOLETE	3	3	1.190	.190	1.500	1.200	12	26	1-103167-0
5 OBSOLETE	3	3	1.090	.190	1.400	1.100	11	24	103167-9
5 OBSOLETE	3	3	.990	.190	1.300	1.000	10	22	103167-8
5 OBSOLETE	3	3	.890	.190	1.200	.900	9	20	103167-7
5 OBSOLETE	3	3	.790	.190	1.100	.800	8	18	103167-6
5 OBSOLETE	3	3	.690	.190	1.000	.700	7	16	103167-5
5 OBSOLETE	3	3	.590	.190	.900	.600	6	14	103167-4
5 OBSOLETE	3	3	.490	.190	.800	.500	5	12	103167-3
5 OBSOLETE	3	3	.390	.190	.700	.400	4	10	103167-2
5 OBSOLETE	3	3	.290	.190	.600	.300	3	8	103167-1

THIS DRAWING IS A CONTROLLED DOCUMENT.

STE TE Connectivity

HDR ASSY, MOD II, SHROUDED, 4 SIDES, DBL ROW, .100X.100 RIGHT ANGLE, W/ .025 SQ POSTS

DATE: 27JUL87
 CHK: R FLICKER
 APVO: R FLICKER
 NAME: R FLICKER

SIZE: A1
 WEIGHT: --
 CUSTOMER DRAWING

SCALE: 4:1
 SHEET: 1 of 1
 REV: N4

单击下面可查看定价，库存，交付和生命周期等信息

[>>TE Connectivity\(泰科\)](#)