

THIS DRAWING IS UNPUBLISHED.

RELEASED FOR PUBLICATION

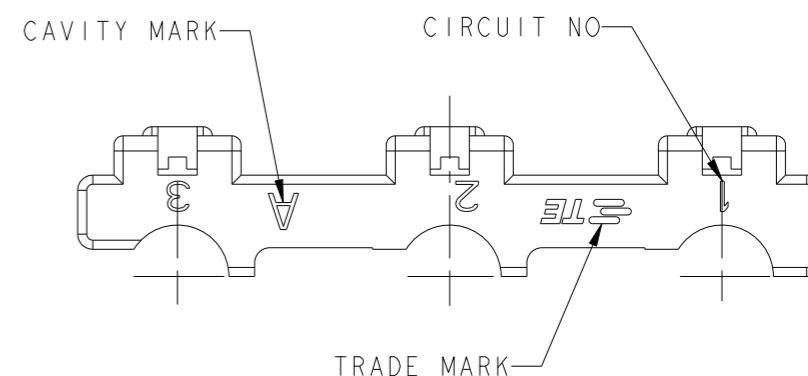
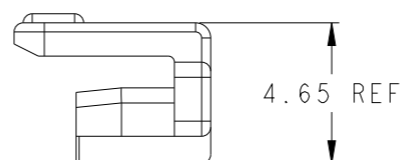
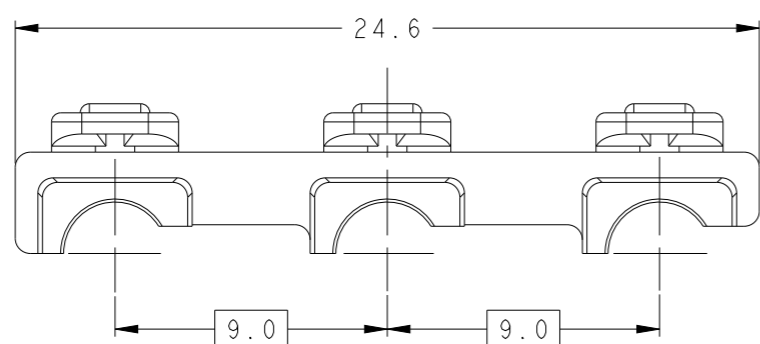
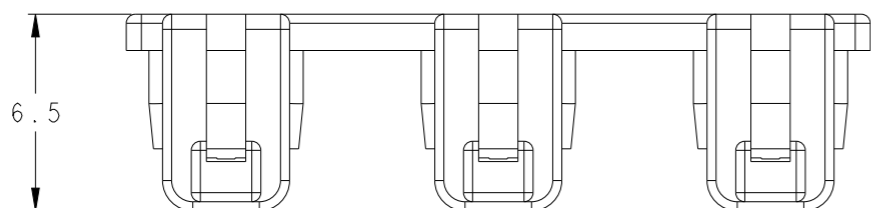
20

© COPYRIGHT 20 BY -

ALL RIGHTS RESERVED.

REVISIONS


P	LTR	DESCRIPTION	DATE	DWN	APVD
	B	REVISED PER ECR-21-105872	06 JUL 2021	SC	D. Z



NOTE,

1. APPLICABLE WIRE: UL1015 TYPE, AWG #16~#12

*-1903414-2	BLACK	2232563-1
MATING P/N	COLOR	P/N

THIS DRAWING IS A CONTROLLED DOCUMENT.		DWN SC KIM	30 JUN 2021	 TE Connectivity	
DIMENSIONS: mm		CHK -	-		
TOLERANCES UNLESS OTHERWISE SPECIFIED:		APVD DANIEL ZHANG	30 JUN 2021	NAME GRACE HI-CURRENT(GHC)	
0 PLC ± ±0.3 1 PLC ± ±5° 2 PLC ± ±5° 3 PLC ± ±5° 4 PLC ± ±5° ANGLES ± ± FINISH -		PRODUCT SPEC 108-78357		9.0mm 3POS TPA HOUSING	
MATERIAL PA66, UL94V-0		APPLICATION SPEC 114-5356		SIZE A3	CAGE CODE 00779
		WEIGHT -		DRAWING NO C-2232563	RESTRICTED TO -
		CUSTOMER DRAWING	SCALE 4:1	SHEET 1 OF 2	REV B

THIS DRAWING IS UNPUBLISHED.

RELEASED FOR PUBLICATION

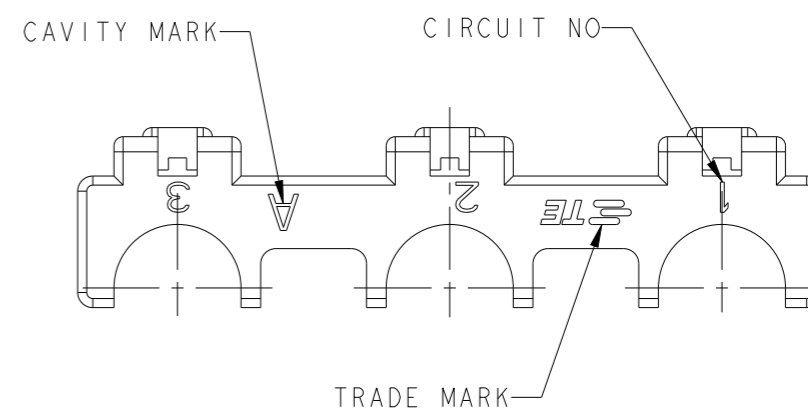
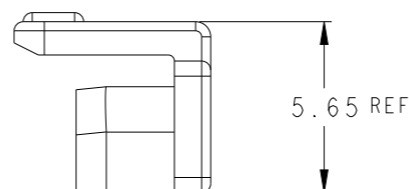
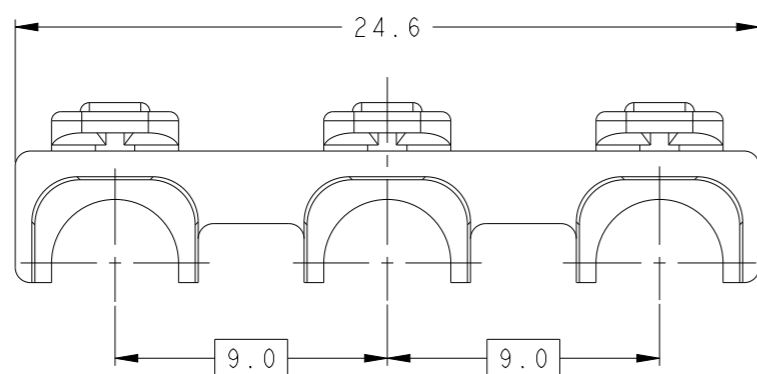
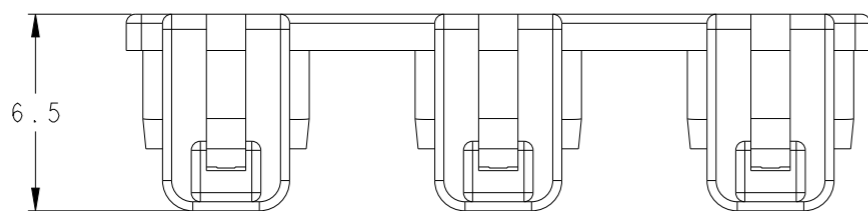
20

© COPYRIGHT 20 BY -

ALL RIGHTS RESERVED.

REVISIONS



P	LTR	DESCRIPTION	DATE	DWN	APVD
		SEE SHEET 1			



NOTE,

1. APPLICABLE WIRE: UL1015 TYPE, AWG #16~#12

*-1903414-2	BLACK	I-2232563-1
MATING P/N	COLOR	P/N

THIS DRAWING IS A CONTROLLED DOCUMENT.		DWN SC KIM 26OCT2016	 TE Connectivity NAME GRACE HI-CURRENT(GHC) 9.0mm 3POS TPA HOUSING				
DIMENSIONS: mm		CHK BH CHO 26OCT2016					
		APVD BW KANG 26OCT2016					
TOLERANCES UNLESS OTHERWISE SPECIFIED:		PRODUCT SPEC 108-78357					
0 PLC ± ±0.3 1 PLC ± ±5° 2 PLC ± ± 3 PLC ± ± 4 PLC ± ± ANGLES ± ± FINISH -		APPLICATION SPEC 114-5356	SIZE A3	CAGE CODE 00779	DRAWING NO C-2232563	RESTRICTED TO -	
MATERIAL PA66, UL94V-0		WEIGHT -	CUSTOMER DRAWING		SCALE 4:1	SHEET 2 OF 2	REV B

单击下面可查看定价，库存，交付和生命周期等信息

[>>TE Connectivity\(泰科\)](#)