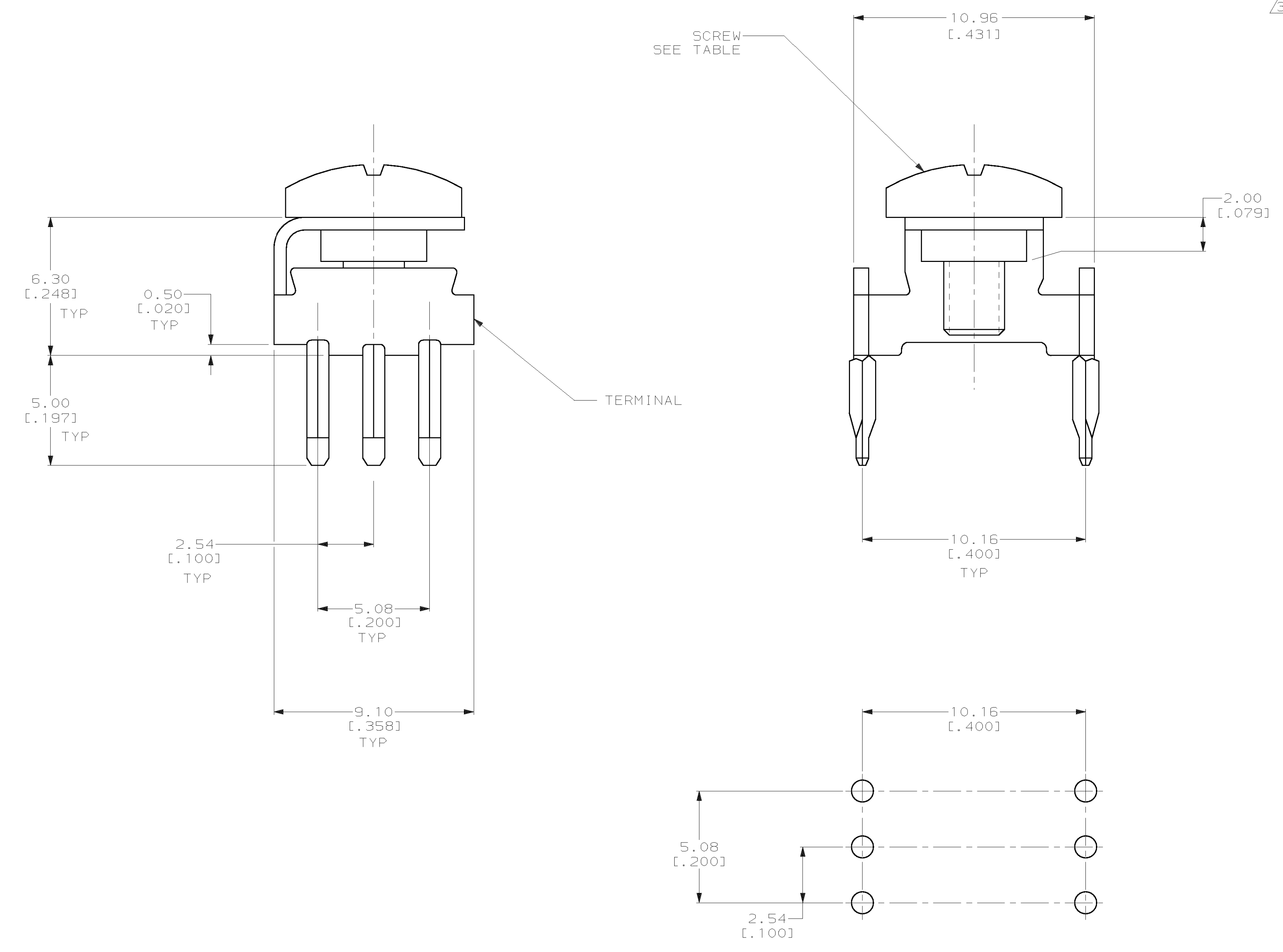


LOC		DIST		P		F		ZONE		LTR		REVISIONS			
FT	0											DESCRIPTION	DATE	APPD	
												C	REVISE PER ECN 063B-0428-00	24AUG00	SU/SH

- ① TERMINAL: PHOSPHOR BRONZE; SCREW: STAINLESS STEEL.
- ② 2.54μm[.000100] MIN TIN OVER 1.25μm[.000050] MIN NICKEL.
- ③ PASSIVATED.



RECOMMENDED P.C. BOARD LAYOUT

PLATED THROUGH HOLE SPECIFICATION	
DRILLED HOLE	1.6±0.025
Cu- THICKNESS	25-75 μm
SnPb- THICKNESS	4-10 μm
FINISHED HOLE	1.39-1.54
FINISHED HOLE (AFTER REFLOW)	1.36-1.54

THIS DRAWING IS A CONTROLLED DOCUMENT FOR AMP INCORPORATED. IT IS SUBJECT TO CHANGE AND THE CONTROLLING ENGINEERING ORGANIZATION SHOULD BE CONTACTED FOR THE LATEST REVISION.

M4 X 0.5		213816-2	
M4 X 0.6		213816-1	
SCREW		PART NUMBER	
DO NOT SCALE PRINT. UNLESS SPECIFIED DIMENSIONS IN mm [INCHES] TOLERANCES ON: 2 PLC DEC ± 0.13 (.005) 3 PLC DEC ± - ANGLES ± -		DR 11-01-94 D.BROCKWAY	
MATERIAL		CHK 11-11-94 R.STONE	
FINISH		APPD 11-11-94 T.COULSON	
SCREW: ③		APPD 11-11-94 T.COULSON	
TERMINAL: ②		PRODUCT SPEC -	
APPLICATION SPEC -		SIZE	CAGE CODE
WEIGHT -		D	00779
		DRAWING NO	G-213816
		SCALE	8:1
		SHEET	1 OF 1

AMP AMP Incorporated
 Harrisburg, PA 17105-3608

POWER TAP ASSY, 6 POSN

单击下面可查看定价，库存，交付和生命周期等信息

[>>TE Connectivity\(泰科\)](#)