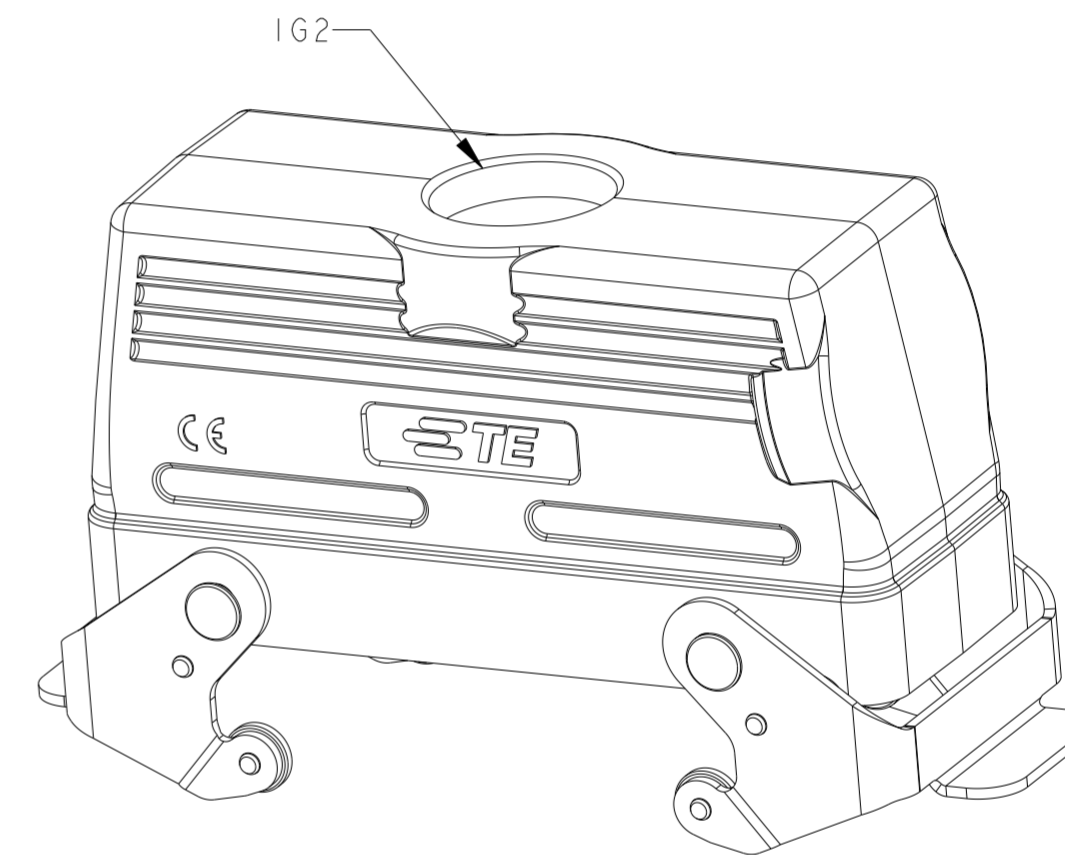
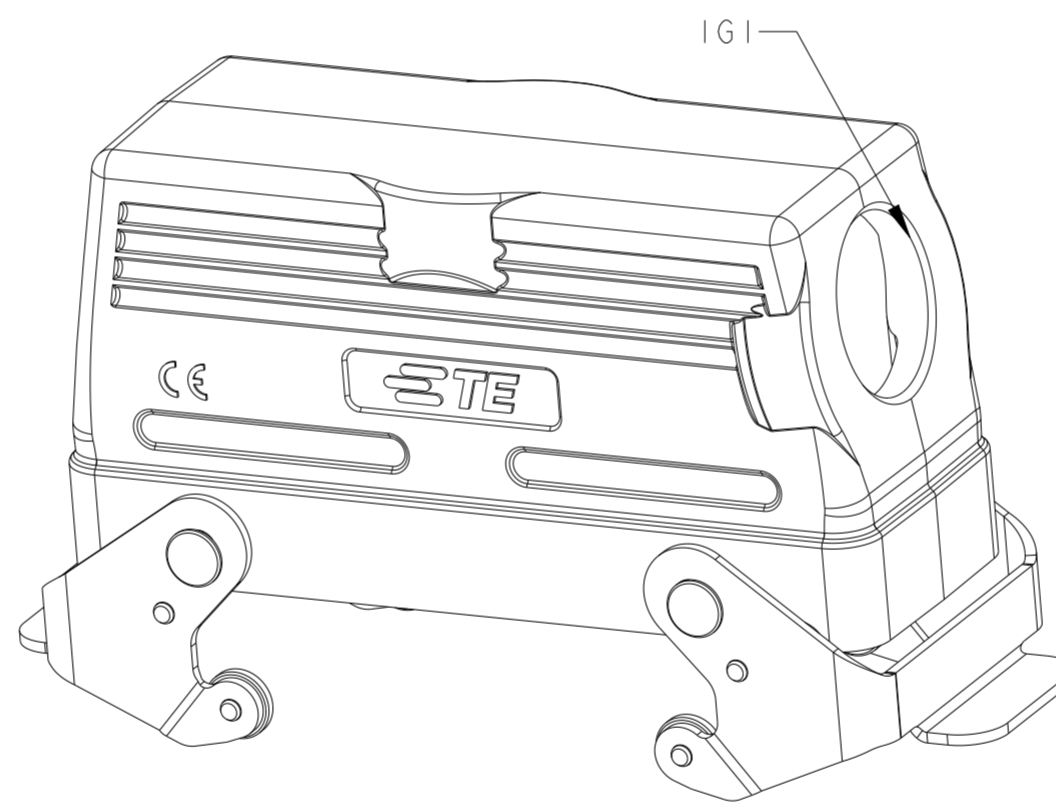
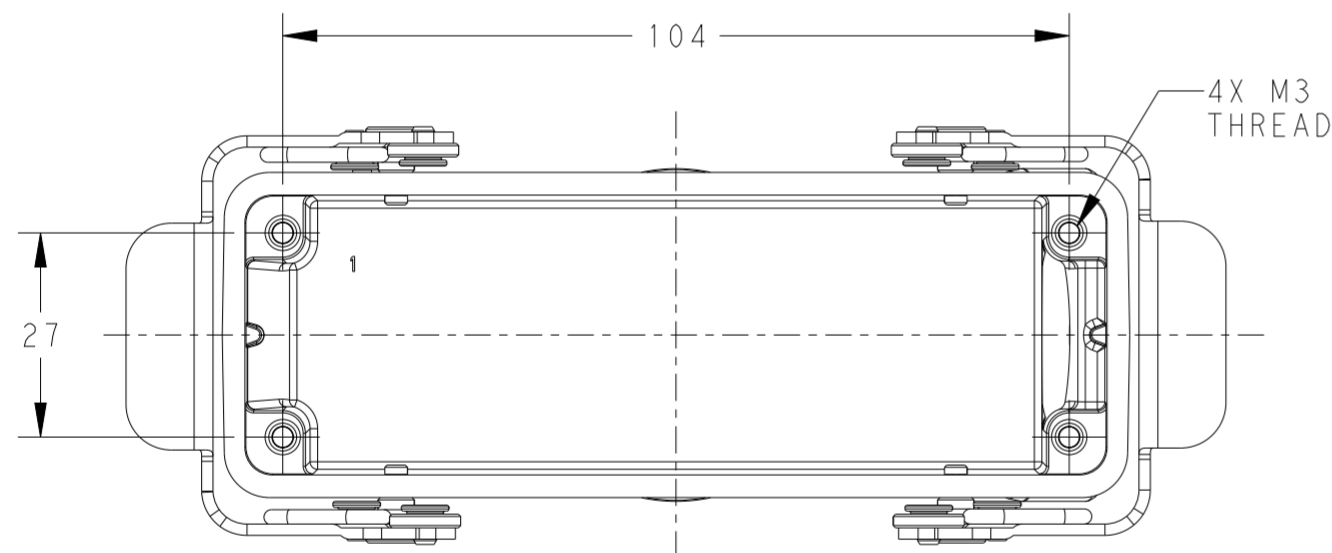
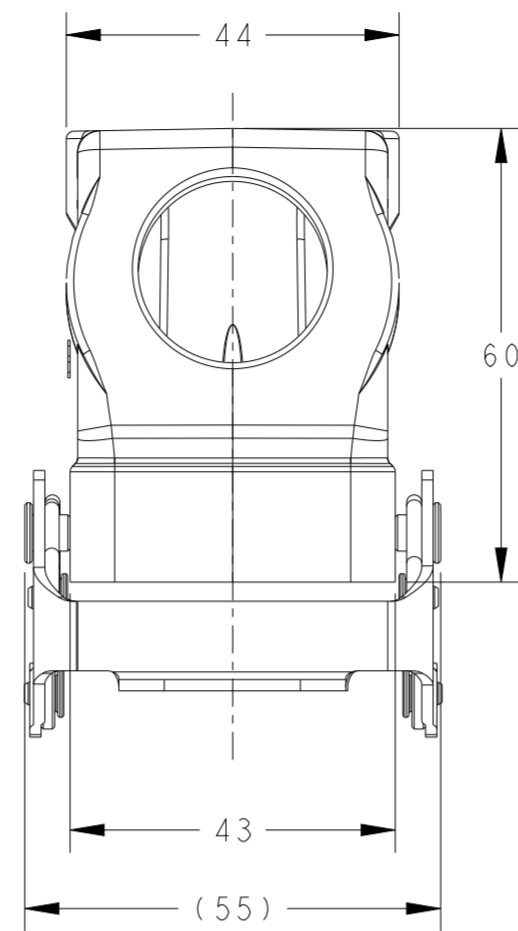
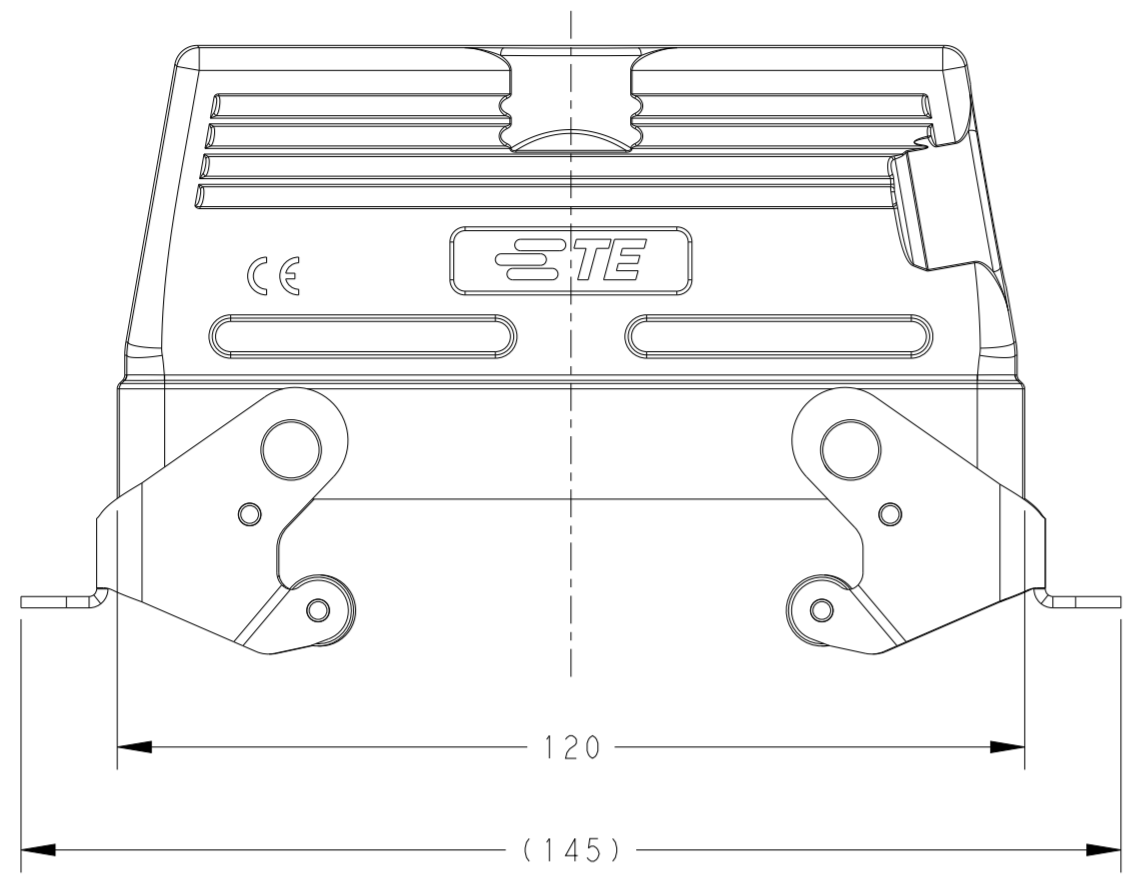


THIS DRAWING IS UNPUBLISHED. RELEASED FOR PUBLICATION 20
 © COPYRIGHT 20 BY - ALL RIGHTS RESERVED.

| REVISIONS | | | | |
|-----------|-----|---------------|-----------|--------|
| P | LTR | DESCRIPTION | DATE | APVD |
| A | | INITIAL | 06JUN2015 | DW CW |
| B | | ECR-20-014876 | 06NOV2020 | WOR CW |

NOTES:
 1. TECHNICAL CHARACTERISTICS:
 HOOD MATERIAL: DIE CAST ALUMINIUM ALLOY
 SURFACE: POWDER COATED, GREY
 DEGREE OF PROTECTION: IP65 (MATED)

注释:
 1. 技术参数:
 上壳材料: 铝合金
 表面处理: 粉末涂层, 灰色
 防护等级: IP65(配合)



TYPE 1: LOW CONSTRUCTION, SIDE ENTRY WITH STAINLESS STEEL LOCKING

TYPE 2: LOW CONSTRUCTION, TOP ENTRY WITH STAINLESS STEEL LOCKING
 OTHER SPEC REFER TO TYPE 1

| PART NUMBER | TYPE | DESCRIPTION | IG1 | IG2 |
|-----------------|--------|----------------|------|------|
| T1250243121-000 | TYPE 1 | H24B-TSBS-PG21 | PG21 | - |
| T1250243125-000 | | H24B-TSBS-M25 | M25 | - |
| T1250243132-000 | | H24B-TSBS-M32 | M32 | - |
| T1260243121-000 | TYPE 2 | H24B-TGBS-PG21 | - | PG21 |
| T1260243125-000 | | H24B-TGBS-M25 | - | M25 |
| T1260243129-000 | | H24B-TGBS-PG29 | - | PG29 |
| T1260243132-000 | | H24B-TGBS-M32 | - | M32 |

| | | | | |
|----------------------------------------|--|-----------------------------|-----------------------------|-----------------|
| THIS DRAWING IS A CONTROLLED DOCUMENT. | | DWN David Wang 06JUN2015 | STE TE Connectivity | |
| | | CHK Chris Wang 06JUN2015 | | |
| DIMENSIONS: mm | | APVD Xiang Xu 06JUN2015 | NAME H24B-TSBS/TGBS-M/PG | |
| TOLERANCES UNLESS OTHERWISE SPECIFIED: | | PRODUCT SPEC 108-137013 | RESTRICTED TO | |
| 0 PLC ± | | APPLICATION SPEC 114-137013 | SIZE A2 | CAGE CODE 00779 |
| 1 PLC ± | | WEIGHT - | DRAWING NO C-T12X02431XXX00 | |
| 2 PLC ± | | Customer Drawing | SCALE 1:1 | SHEET 1 OF 1 |
| 3 PLC ± | | | | REV B |
| 4 PLC ± | | | | |
| ANGLES ± | | | | |
| FINISH - | | | | |

单击下面可查看定价，库存，交付和生命周期等信息

[>>TE Connectivity\(泰科\)](#)