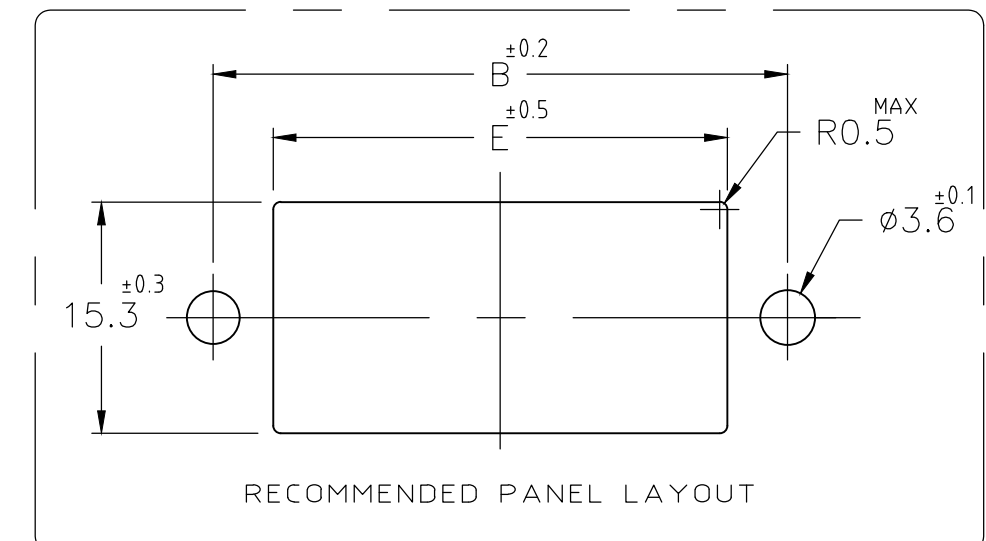
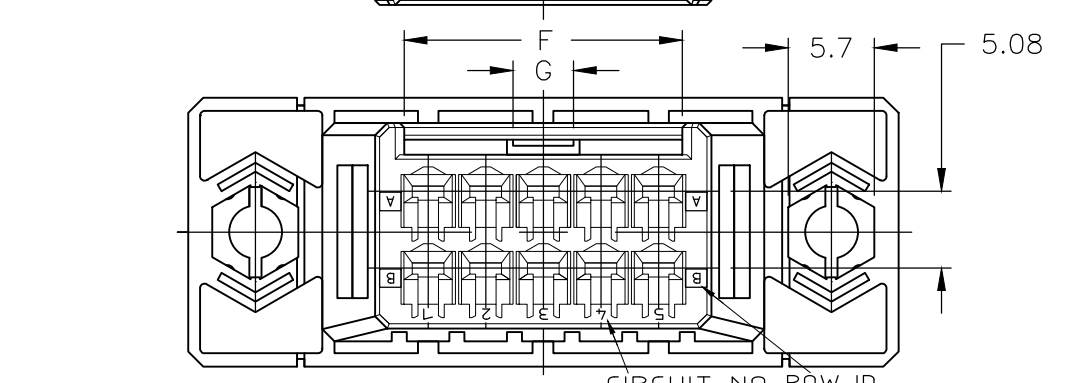
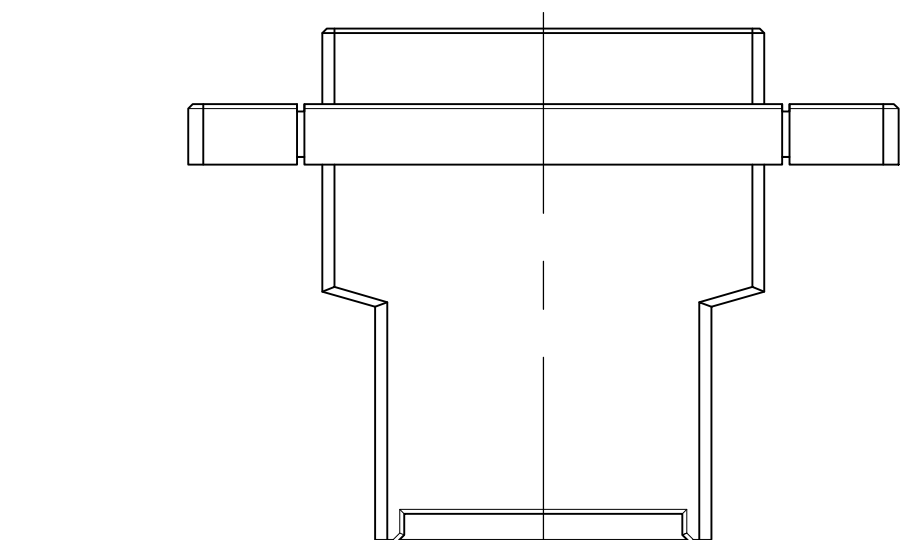
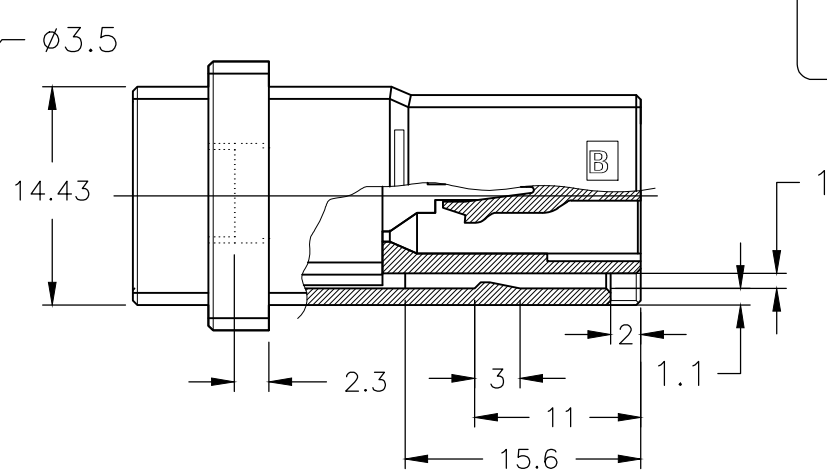
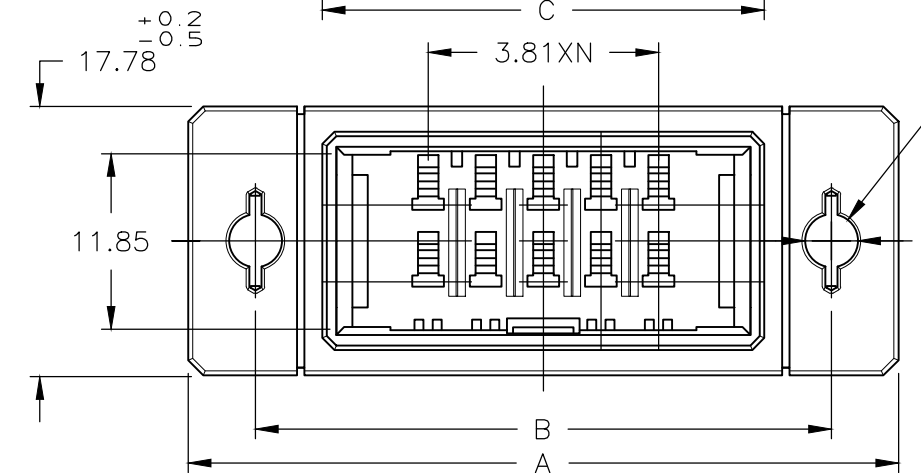
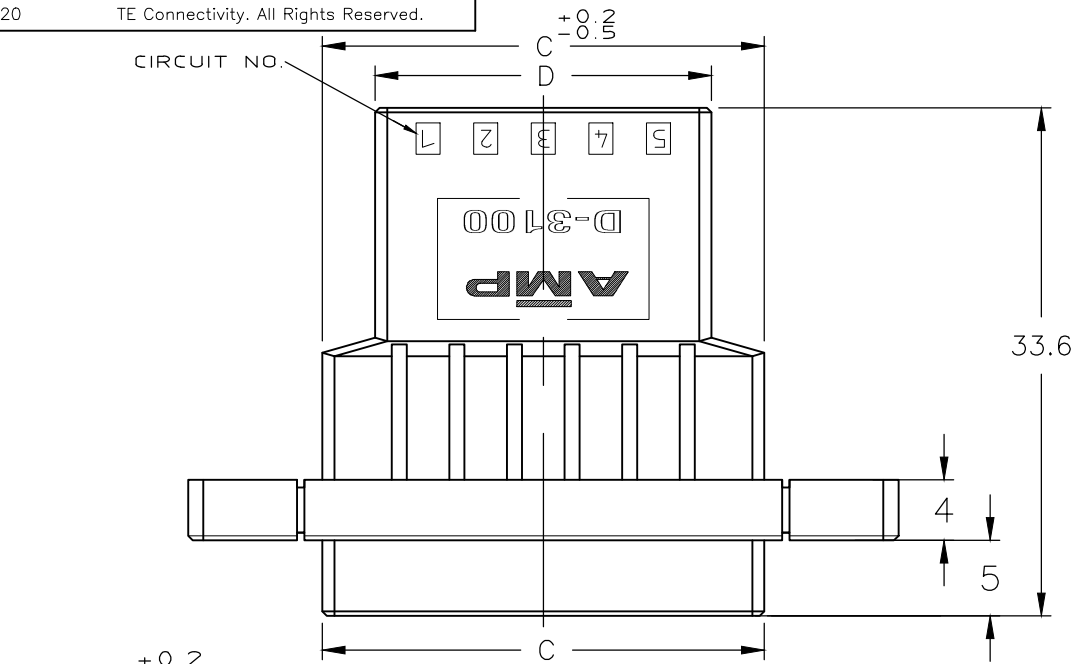


P	LTR	DESCRIPTION	DATE	DWN	APVD
	F	REVISED PER ECR-20-008263	10JUN2020	M.J	E.I



△ MATERIAL: GLASS FIELD THERMO PLASTIC, POLYESTER
 COLOR: BLACK
~~△ TO COAT ALL SURFACE OF HOUSING WITH TEFLON~~
 3 PANEL ATTACHMENT RECOMMENDATION M3 SCREW

FINISH	POS.	DIMENSION	A	B	C	D	E	F	G	N	PART NUMBER	
OBSOLETE	△		20	67	58	48.29	41.29	49.2	18.4	4	9	178803-8
			16	59	50	40.67	33.67	41.6	18.4	4	7	178803-7
			12	51	42	33.05	26.05	34	18.4	4	5	178803-6
			10	47	38	29.24	22.24	30.2	18.4	4	4	178803-5
			6	40	31	21.62	14.62	22.6	8.4	2	2	178803-3

THIS DRAWING IS A CONTROLLED DOCUMENT.

DIMENSIONS: mm	TOLERANCES UNLESS OTHERWISE SPECIFIED: 0-PLC ~10±0.2 1-PLC 10~30±0.25 2-PLC 30~±0.3 3-PLC ±- 4-PLC ±- ANGLES ±3	DWN N.MATSUBARA 04MAR1992 CHK H.OBATA 05MAR1992 APVD S.MANABE 05MAR1992	TE Connectivity WIRE TO WIRE PANEL MOUNT TYPE TAB HSG FOR DYNAMIC 3100 (DOUBLE ROW)
MATERIAL △	FINISH -	PRODUCT SPEC - APPLICATION SPEC - WEIGHT -	

SIZE A3	CAGE CODE 00779	DRAWING NO C-178803	RESTRICTED TO -
CUSTOMER DRAWING		SCALE 2:1	SHEET 1 OF 1 REV F

单击下面可查看定价，库存，交付和生命周期等信息

[>>TE Connectivity\(泰科\)](#)