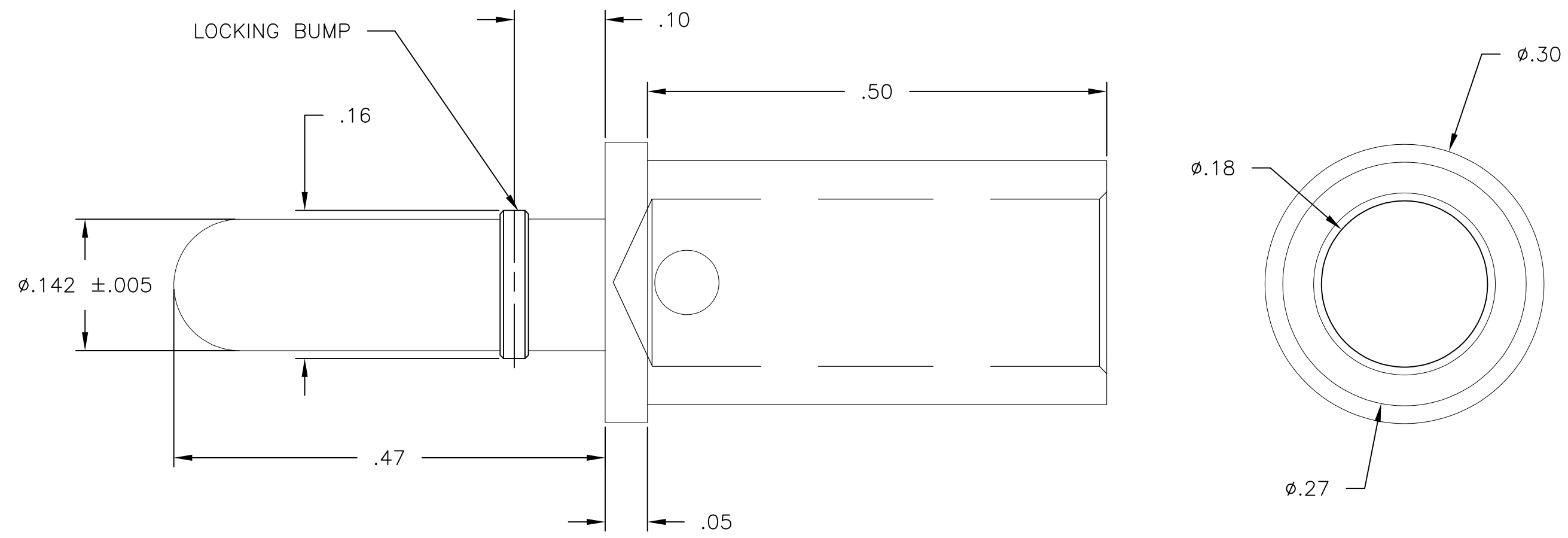



THIS DRAWING IS UNPUBLISHED. RELEASED FOR PUBLICATION
 © COPYRIGHT - By - ALL RIGHTS RESERVED.

LOC	DIST	REVISIONS					
GP	00	P	LTR	DESCRIPTION	DATE	DWN	APVD
			C	REV PER ECO-11-007264	14APR2011	RG	DO



4. FINISH: SILVER PLATE .00200 MIN THK. OVER NICKEL .000040 MIN THK.
3. MATERIAL: COPPER ALLOY
2. ITEMS PROVIDED TO THIS SPECIFICATION SHALL BE IDENTIFIED ON CONTAINER WITH THE FOLLOWING INFORMATION PART NUMBER AND DATE CODE OF MANUFACTURE.
1. PART NUMBER CHANGES AND/OR DESIGN CHANGES AFFECTING ITEM INTERCHANGEABILITY REQUIRE PRIOR TYCO APPROVAL AND AUTHORIZATION BY REVISION TO THIS DRAWING.

1766160-1
PART NUMBER

THIS DRAWING IS A CONTROLLED DOCUMENT.		DWN	10JAN2011	 TE Connectivity CONTACT, ICCON LOCKING PIN SIZE No.8 WITH No.8 CRIMP BARREL			
		CHK	10JAN2011				
		APVD	10JAN2011				
		NAME	D.ORRIS				
DIMENSIONS:	TOLERANCES UNLESS OTHERWISE SPECIFIED:	PRODUCT SPEC		SIZE	CAGE CODE	DRAWING NO	RESTRICTED TO
INCHES				A3	00779	C-1766160	
	0 PLC ± -	APPLICATION SPEC		CUSTOMER DRAWING		SCALE	SHEET
	1 PLC ± -					8:1	1 OF 1
	2 PLC ± -						REV
	3 PLC ± .020						C
	4 PLC ± -						
	ANGLES ± .5						
MATERIAL	FINISH	WEIGHT					
-	-	-					

单击下面可查看定价，库存，交付和生命周期等信息

[>>TE Connectivity\(泰科\)](#)