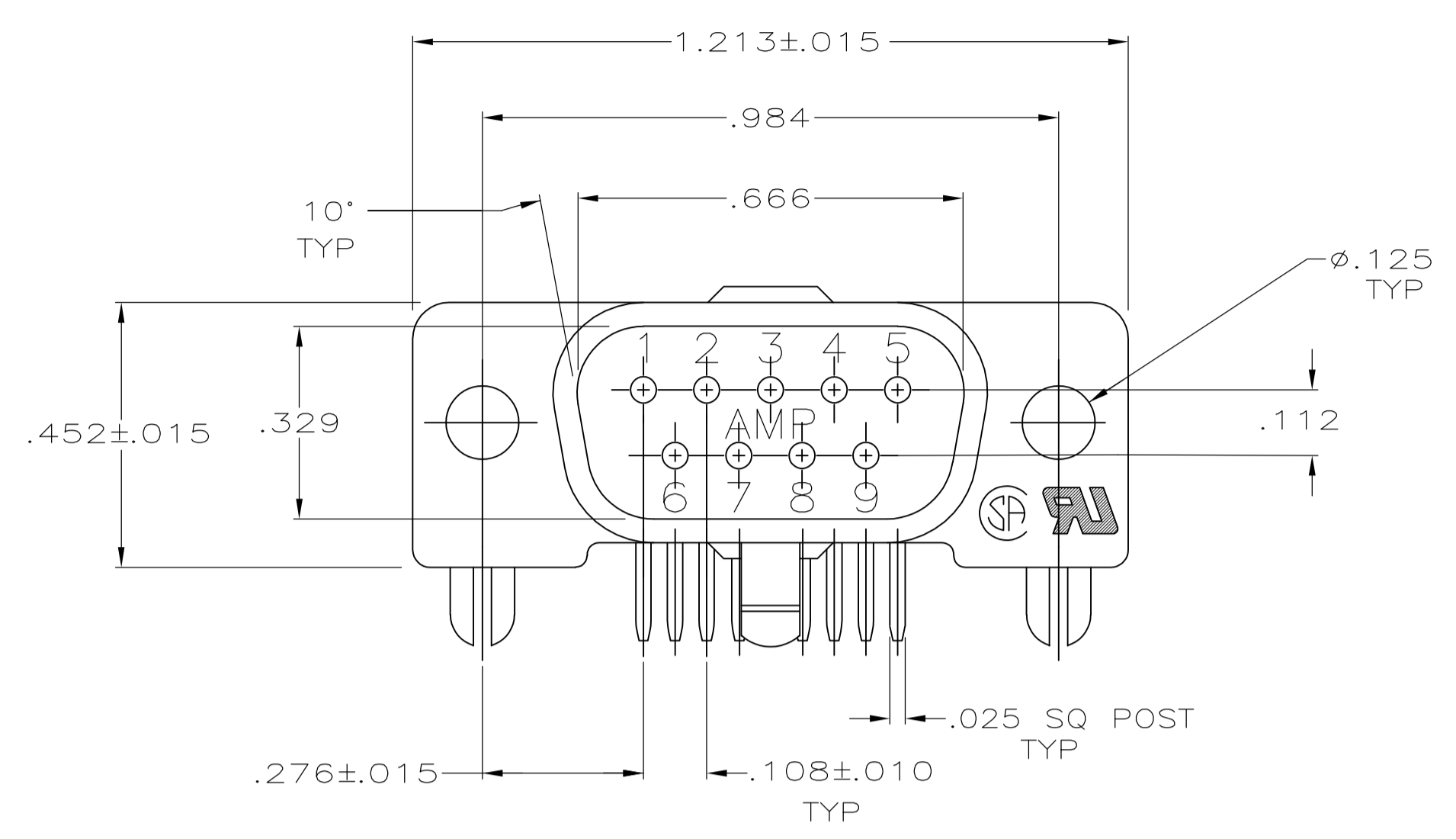
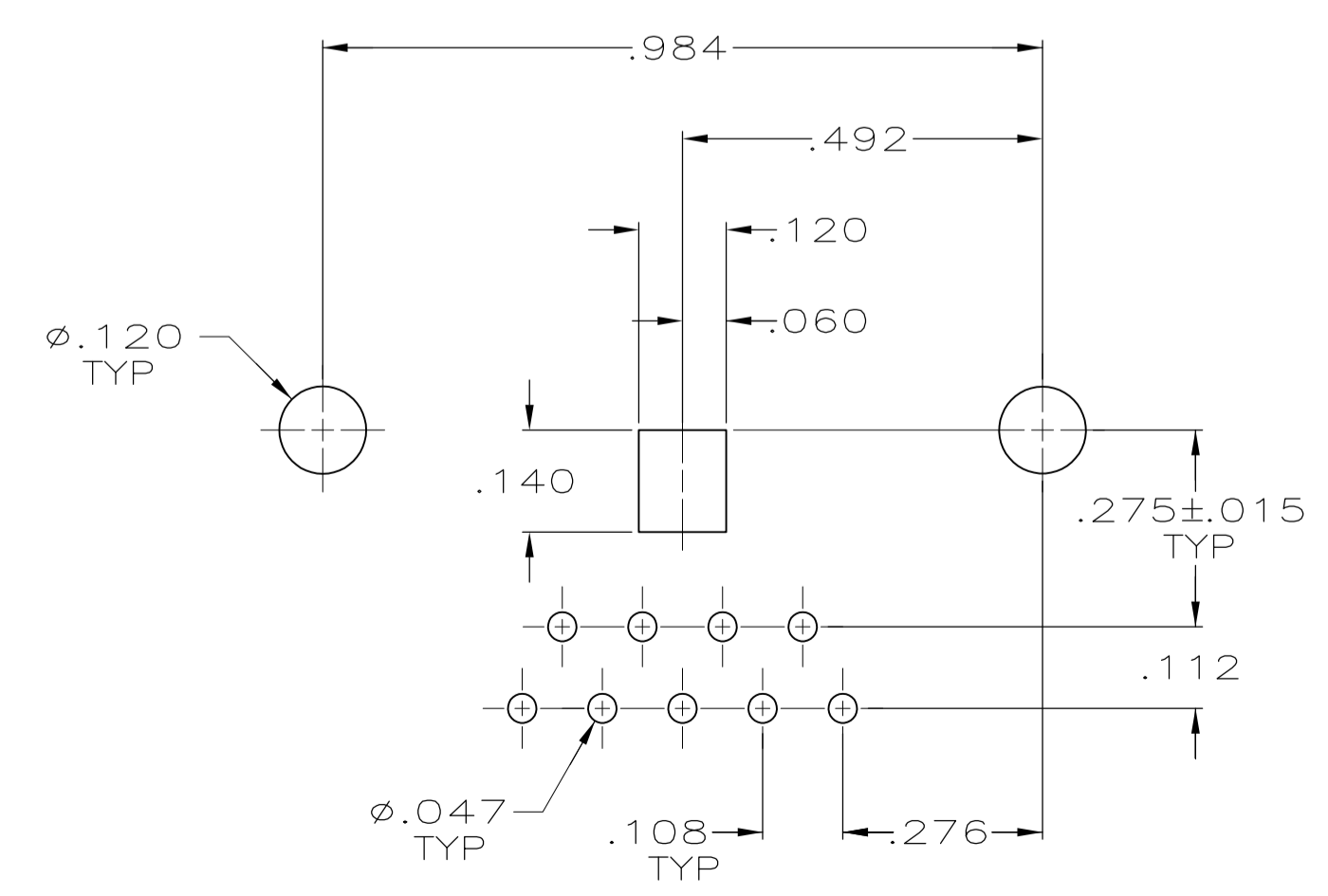
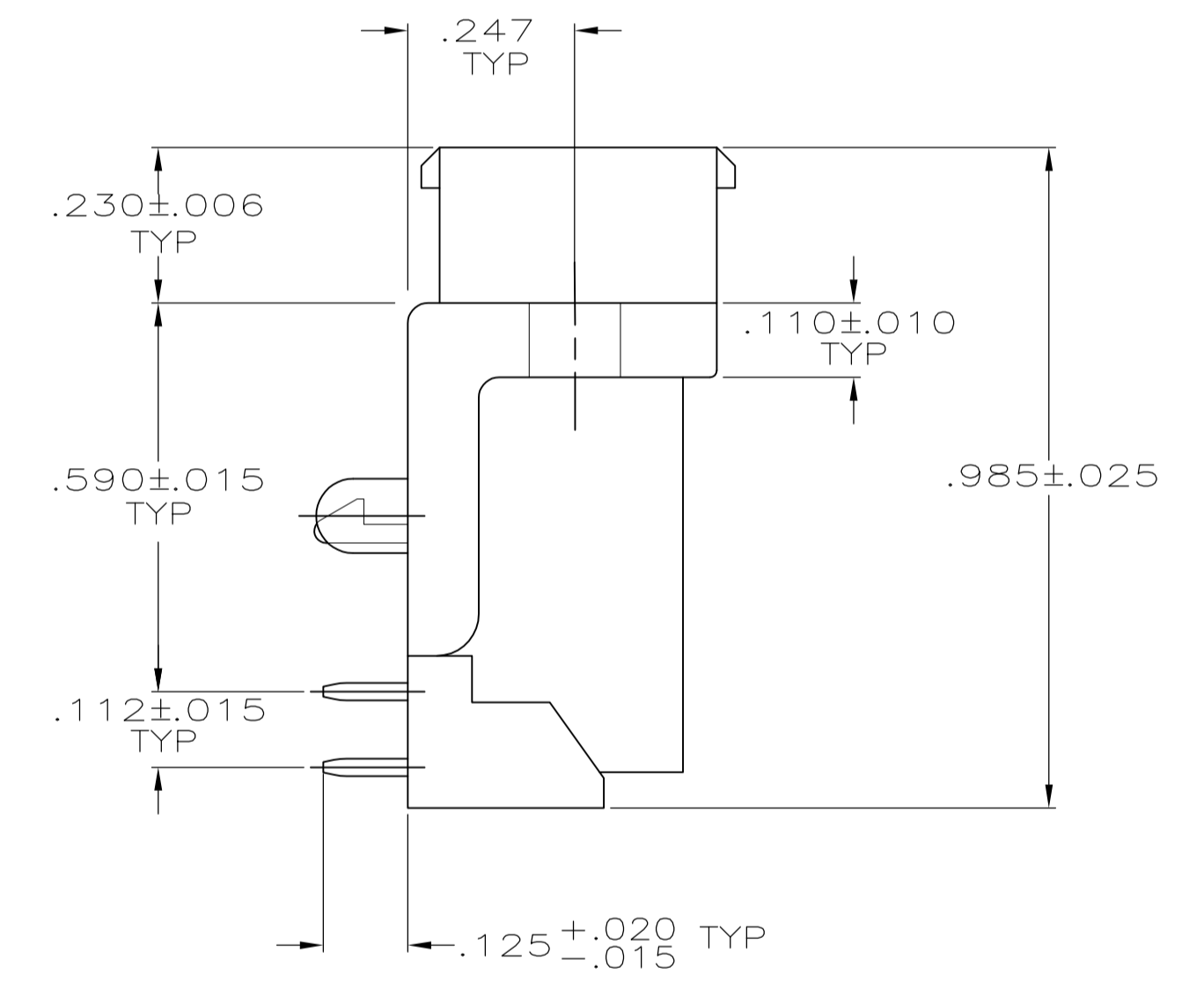
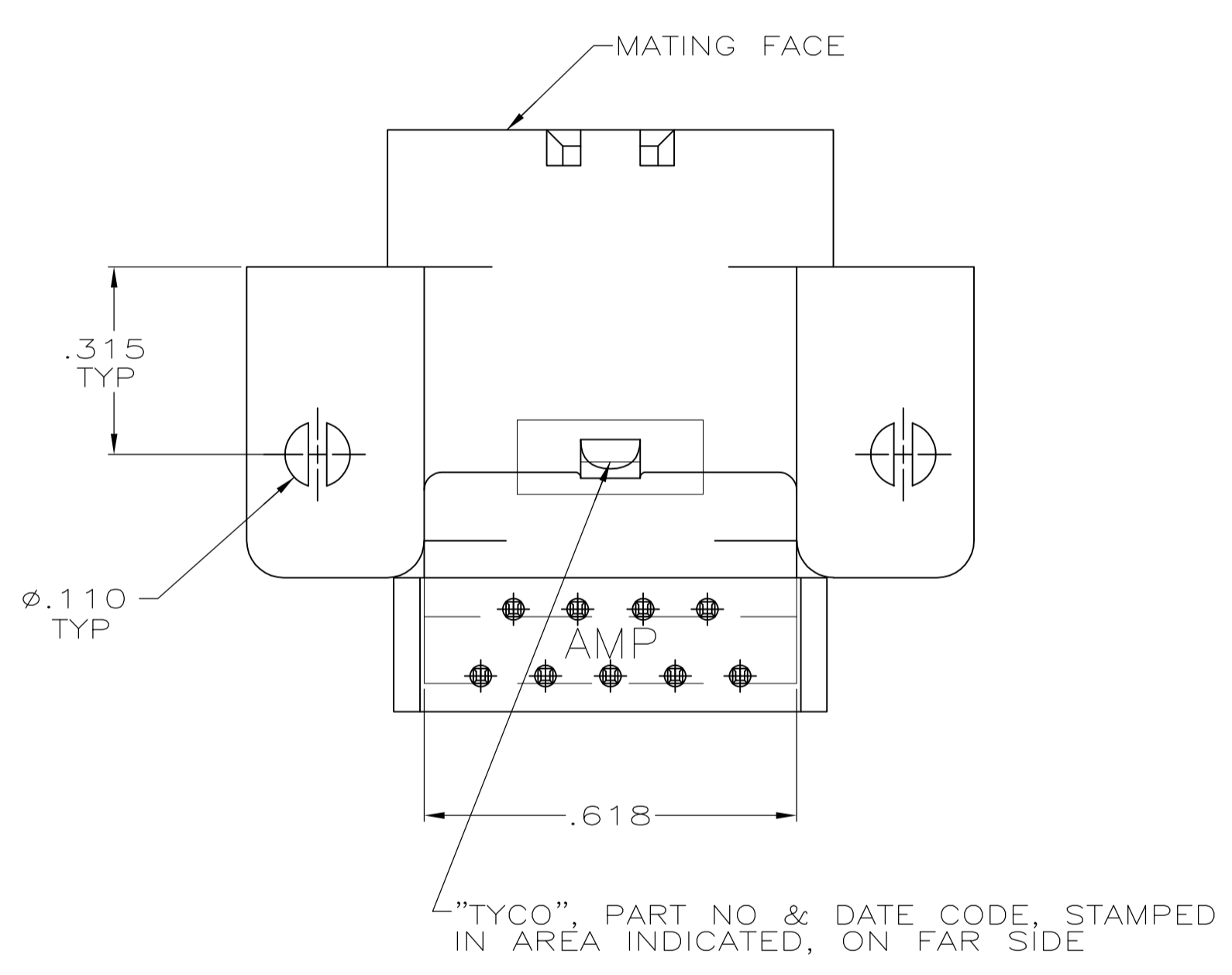


LOC		DIST		REVISIONS			
REV	DATE	DESCRIPTION	DATE	BY	APPV	REV	DATE
B		REVISED PER ECO-14-007966	04JUN2014	CJV	SLB		



- ⚠ HOUSING: FLAME RETARDANT 94V-2 RATED NYLON, COLOR BLACK.
CONTACTS: BRASS
- ⚠ GOLD PLATED FOR A LENGTH OF .150 MIN FROM MATING END, .000030 MIN GOLD IN MATED AREA, .000100 MIN TIN ON OPPOSITE END, BOTH OVER .000050 MIN NICKEL.
-OR-
GOLD FLASH OVER .000030 PALLADIUM NICKEL PLATED FOR LENGTH OF .150 MIN FROM MATING END, .000030 MIN PALLADIUM NICKEL IN MATED AREA, .000100 MIN TIN ON OPPOSITE END, BOTH OVER .000050 MIN NICKEL.
- ⚠ GOLD PLATED FOR LENGTH OF .150 MIN FROM MATING END, GOLD FLASH IN MATED AREA, .000100 MIN TIN ON OPPOSITE END, BOTH OVER .000050 MIN NICKEL.



P.C. BOARD MOUNTING DIMENSIONS
(PUNCH FROM CONNECTOR SIDE ONLY)
.062 PC BOARD THICKNESS

⚠	5745001-3
⚠	5745001-2
CONTACT FINISH	PART NUMBER

THIS DRAWING IS A CONTROLLED DOCUMENT.		DIN S. WAITMAN 19APROS CHK J. GERACE 19APROS APVD M. WALMSLEY 19APROS	NAME PLUG ASSEMBLY, SIZE 1, 9 POS, RIGHT ANGLE, .590 SERIES, .025 SQ POSTS, PANEL LOCKS, AMPLIMITE HDJ
DIMENSIONS: INCHES 0 PLC ± - 1 PLC ± - 2 PLC ± - 3 PLC ± .005 4 PLC ± - ANGLES ± -	TOLERANCES UNLESS OTHERWISE SPECIFIED: 0 PLC ± - 1 PLC ± - 2 PLC ± - 3 PLC ± .005 4 PLC ± - ANGLES ± -	PRODUCT SPEC 108-40025	APPLICATION SPEC SIZE CAGE CODE DRAWING NO A1 00779 C=5745001
MATERIAL	SEE TABLE	WEIGHT	RESTRICTED TO
CUSTOMER DRAWING		SCALE 4:1	SHEET 1 OF 1 REV B

单击下面可查看定价，库存，交付和生命周期等信息

[>>TE Connectivity\(泰科\)](#)

[>>点击查看相关商品](#)