

4

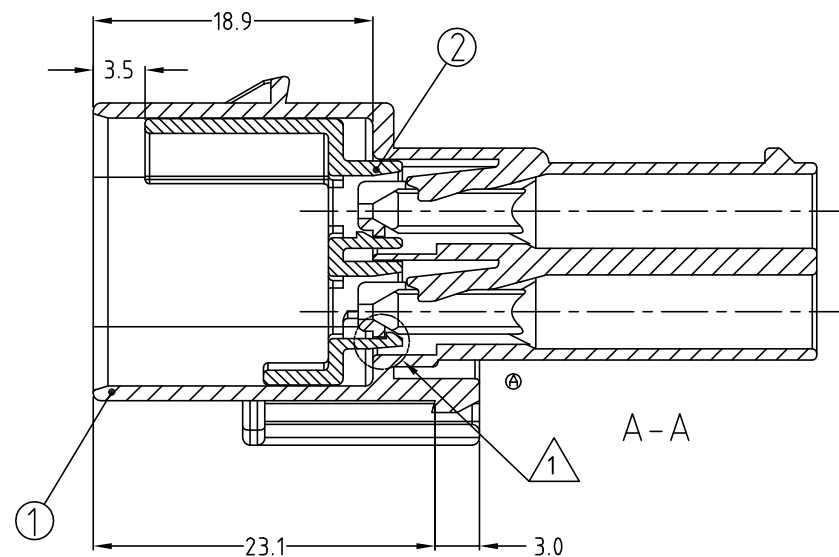
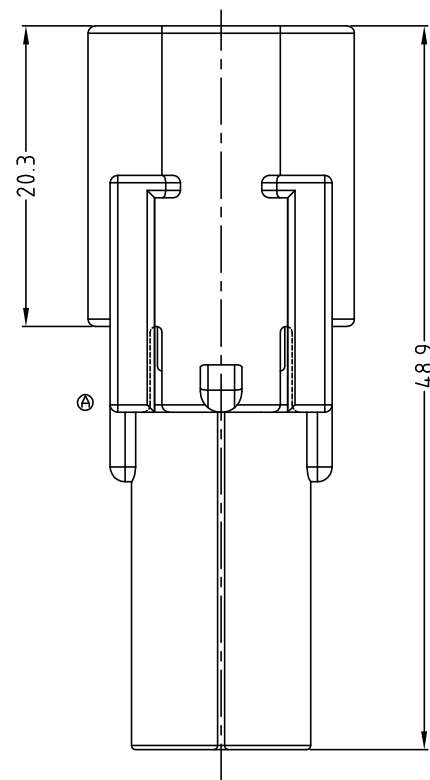
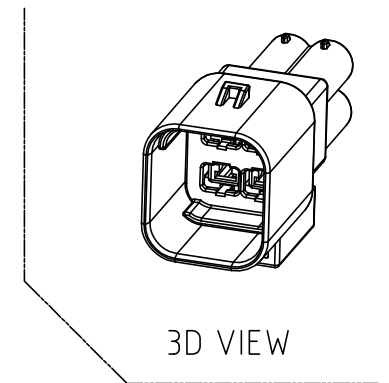
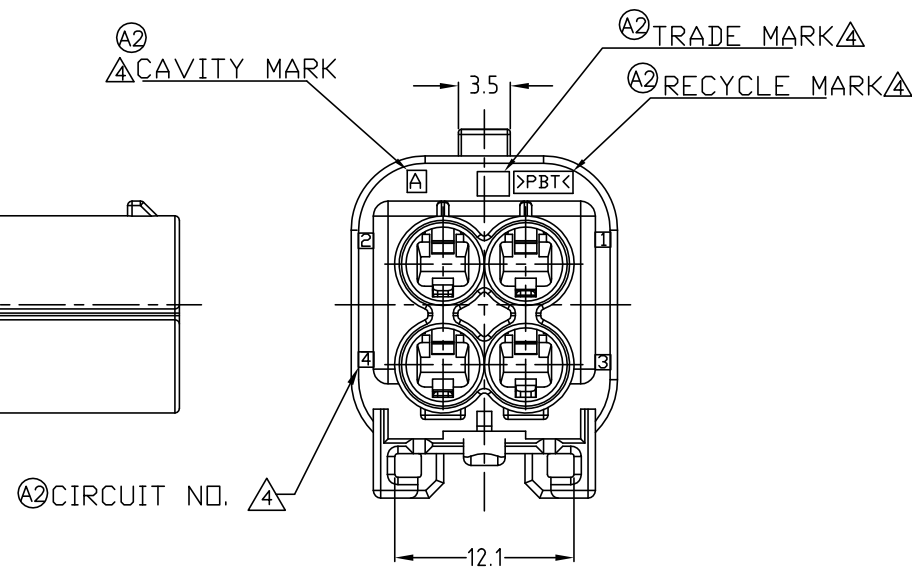
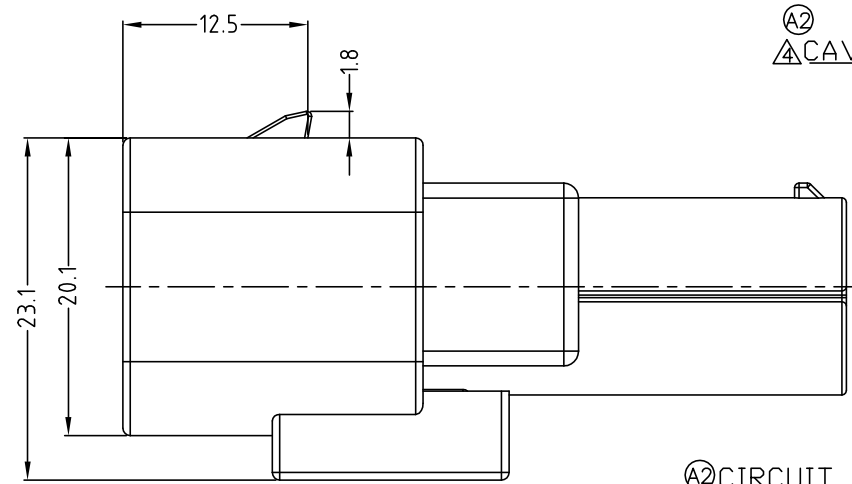
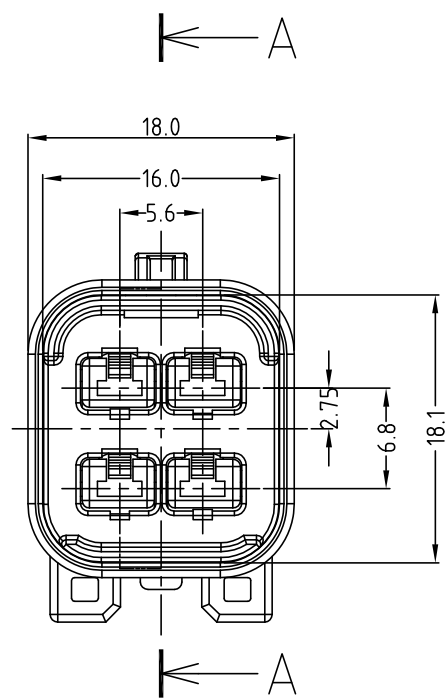
3

2

1

THIS DRAWING IS UNPUBLISHED. RELEASED FOR PUBLICATION
COPYRIGHT BY TYCO ELECTRONICS CORPORATION, ALL RIGHTS RESERVED.

LOC	DIST	REVISIONS					
DS	-	P	LTR	DESCRIPTION	DATE	DWN	APVD
			A	REVISED<FC00-0317-04>	07,DEC,'04	JG	CS
			A1	REVISED<ECR-06-013973>	09,JUN,'06	YH	JK
			A2	REVISED<ECR-10-017371>	14,SEP,'10	SJ	HG



NOTES.

- 1. CONDITION OF DELIVERY : DBL PLATE IN OPEN POSITION.
- 2. APPLIED TAB CONTACT P/N :

CONTACT	MCP-E TERMINAL	
Part No.	936612-1	936613-1
WIRE SIZE(mm ²)	1.0 ~ 2.5	0.5 ~ 1.0

- 3. APPLIED FEMALE CONNECTOR P/N : 936254
- 4. ALL CHARACTERS SHALL BE CLEAR AND LEGIBLE
 - TRADE MARK: 1.0 CHARACTERS 0.2 RAISED
 - CAVITY MARK & CURCUIT NO: 1.0 CHARACTERS 0.2 RAISED
 - RECYCLE MARK: 1.0 CHARACTEERS 0.2 RAISED

NO	DESCRIPTION	MATERIAL	COLOR /FINISH	ASS'Y FOR Q'TY	A	A	REV
2	DBL HOUSING	PBT GF10	WHITE	1	1		
1	CAP HOUSING	PBT	GRAY	1	•		
			BLACK	•	1		
					0-936293-3	0-936293-2	ASS'Y P/N

THIS DRAWING IS A CONTROLLED DOCUMENT FOR TYCO ELECTRONICS CORPORATION IT IS SUBJECT TO CHANGE AND THE CONTROLLING ENGINEERING ORGANIZATION SHOULD BE CONTACTED FOR THE LATEST REVISION.		DWN SJ CHOI
DIMENSIONS: MM		CHK JW JUNG
TOLERANCES UNLESS OTHERWISE SPECIFIED: 0 <XXX<10 ± 0.2 10<XXX<30 ± 0.25 30<XXX ± 0.3 ANGLES ± 3°		APVD HG CHD
MATERIAL SEE TABLE		PRODUCT SPEC -
FINISH SEE TABLE		APPLICATION SPEC -
		WEIGHT -

Tyco Electronics Tyco Electronics kyungsan, korea	
NAME MCP-E SEALED 4P CAP ASSEMBLY	
SIZE A3	CAGE CODE 00779
DRAWING NO C-936293	RESTRICTED TO -
CUSTOMER DRAWING	
SCALE 2/1	SHEET 1 OF 1
REV A2	

单击下面可查看定价，库存，交付和生命周期等信息

[>>TE Connectivity\(泰科\)](#)