

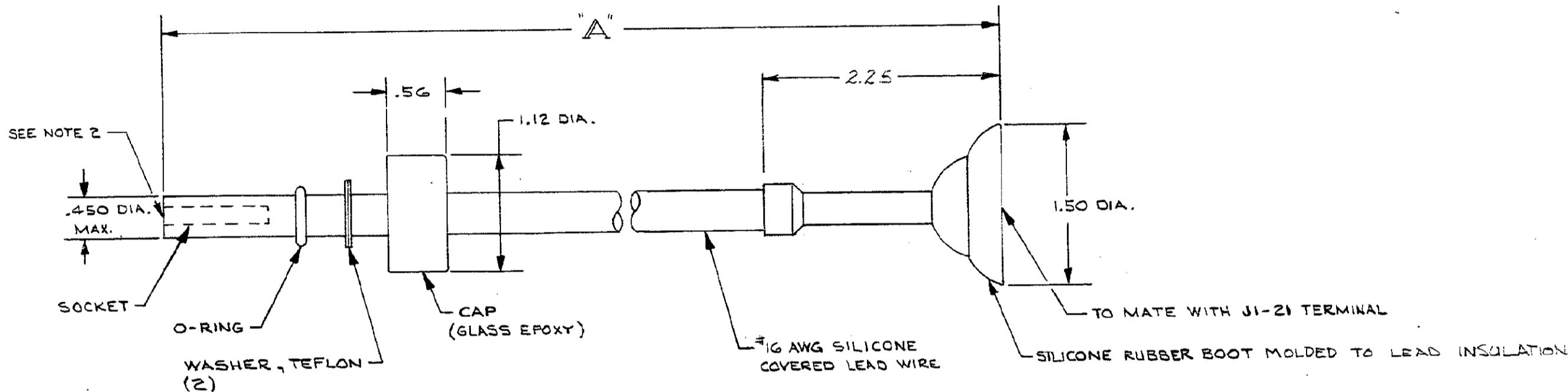
DRAWING MADE IN AMERICAN PROJECTION

© 1968 BY AMP INCORPORATED. ALL RIGHTS RESERVED. AMP PRODUCTS COVERED BY PATENTS AND/OR PATENTS PENDING.

THIS PRODUCT DESIGNED AND BUILT BY AMP INCORPORATED. NO LICENSE TO USE THIS DESIGN OR DIMENSIONS, OR TO USE ANY DESIGN OR PATENT RIGHTS WHICH ARE IN FORCE, IS IMPLIED.

REVISIONS				
ZONE	LTR	DESCRIPTION	DATE	APPROVED
-	-	REF. SD #24758		
A		REV. PER ECN 2711	T.S. 7/24/72	Kan Y
B		REV. PER ECN 8061	L.G. 7/29/75	M.A
C		OBS-1 PER ECN L-1559	9/29/87	R.B

AMP P/N	"A"	
858932-1	15.00	OBsolete
858932-2	24.00	



- TOLERANCE ON "A" DIMENSION: UP TO 24 = ±.12
24 & UP = ± 1% OF LENGTH
- LEAD ASSY. TO MATE WITH LGH-2 RECEPTACLES 833782, 836560 & ANY DASH NO., 836693, 837043, 840568 & OTHER SIMILAR LGH-2 RECEPTACLES
- COLOR OF LEAD WIRE WHITE UNLESS OTHERWISE SPECIFIED.

QTY REQD	QTY REQD	ITEM NO.	DWG SIZE	PART OR IDENTIFYING NO.	NOMENCLATURE OR DESCRIPTION	SYMBOL
-2	-1					

UNLESS OTHERWISE SPECIFIED: DIMENSIONS ARE IN INCHES TOLERANCES .00 = ±.02 ANGLES = .000 = ±.005		CONTRACT NO. DR <i>W. Saw</i> 3-11-68 CHK APPD APPD DSGN APPD <i>W. Saw</i> 3/13/68 OTHER APPD		AMP INCORPORATED CAPITRON DIVISION ELIZABETHTOWN, PENNSYLVANIA NAME LGH-2 CRT LEAD ASSY. LGH		
MATERIAL:		SIZE C		CODE IDENT NO. 00779		
FINISH:		NUMBER 858932		SCALE <i>1/2"</i> WT SHEET <i>10F1</i>		
NEXT ASSY	FINAL ASSY	NEXT ASSY	USED ON	APPLICATION		

PRINT DIST
4 57

单击下面可查看定价，库存，交付和生命周期等信息

[>>TE Connectivity\(泰科\)](#)