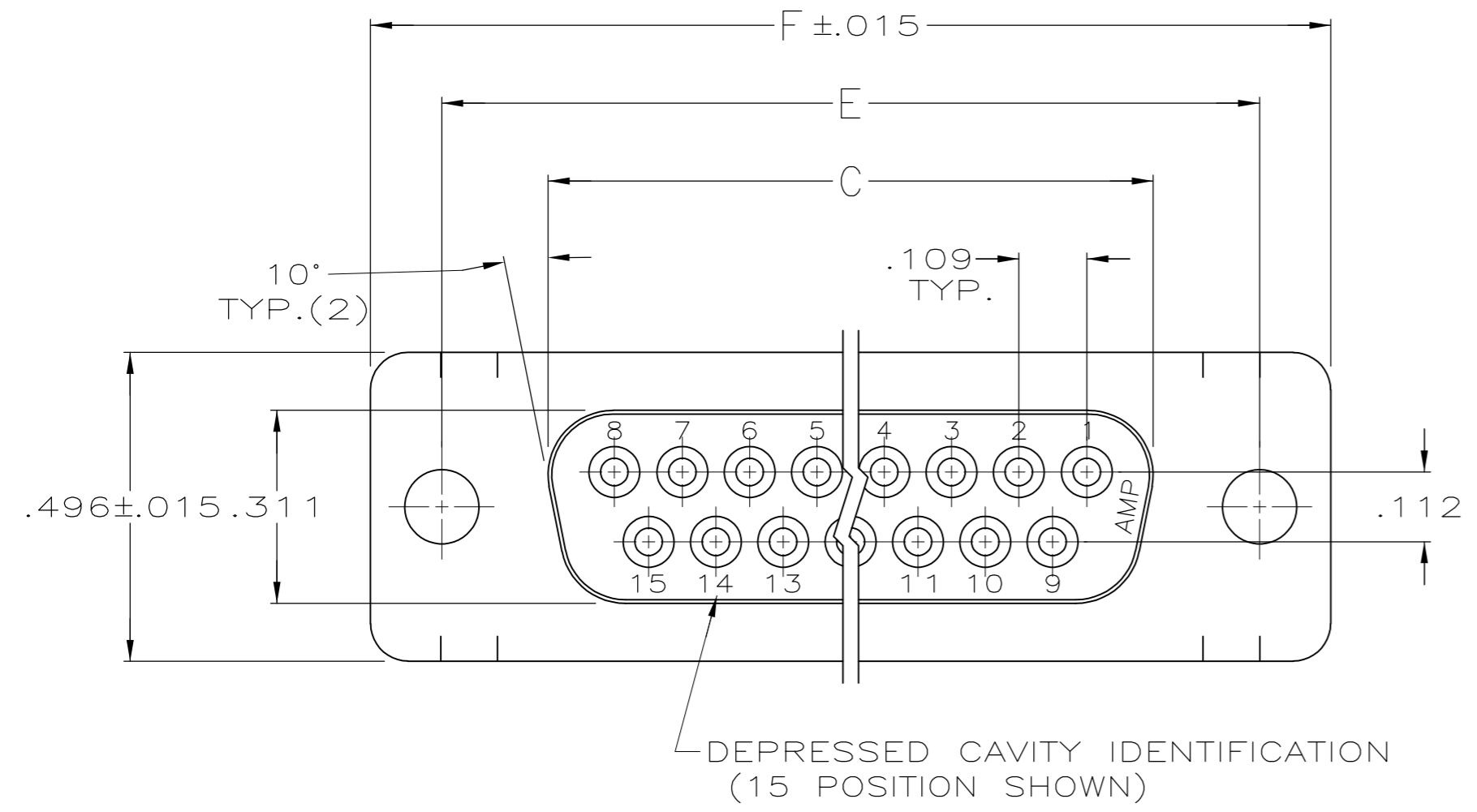
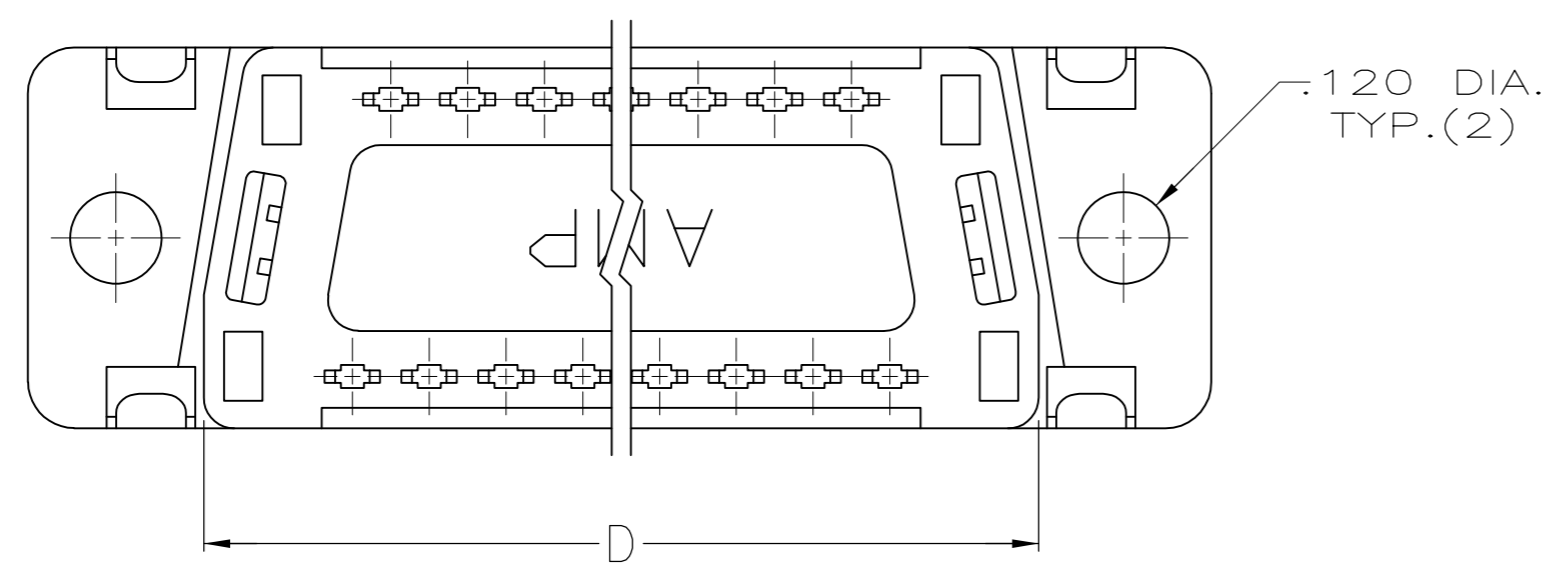
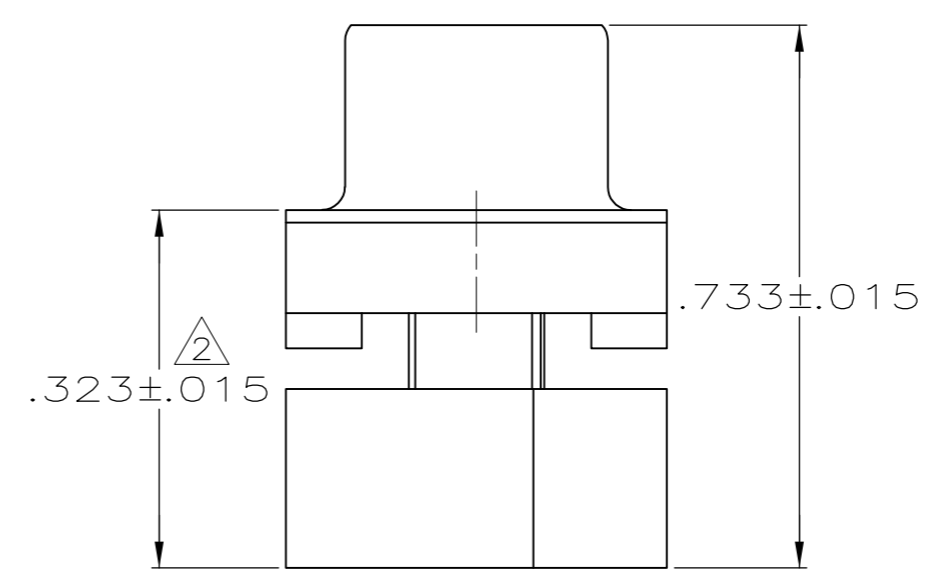
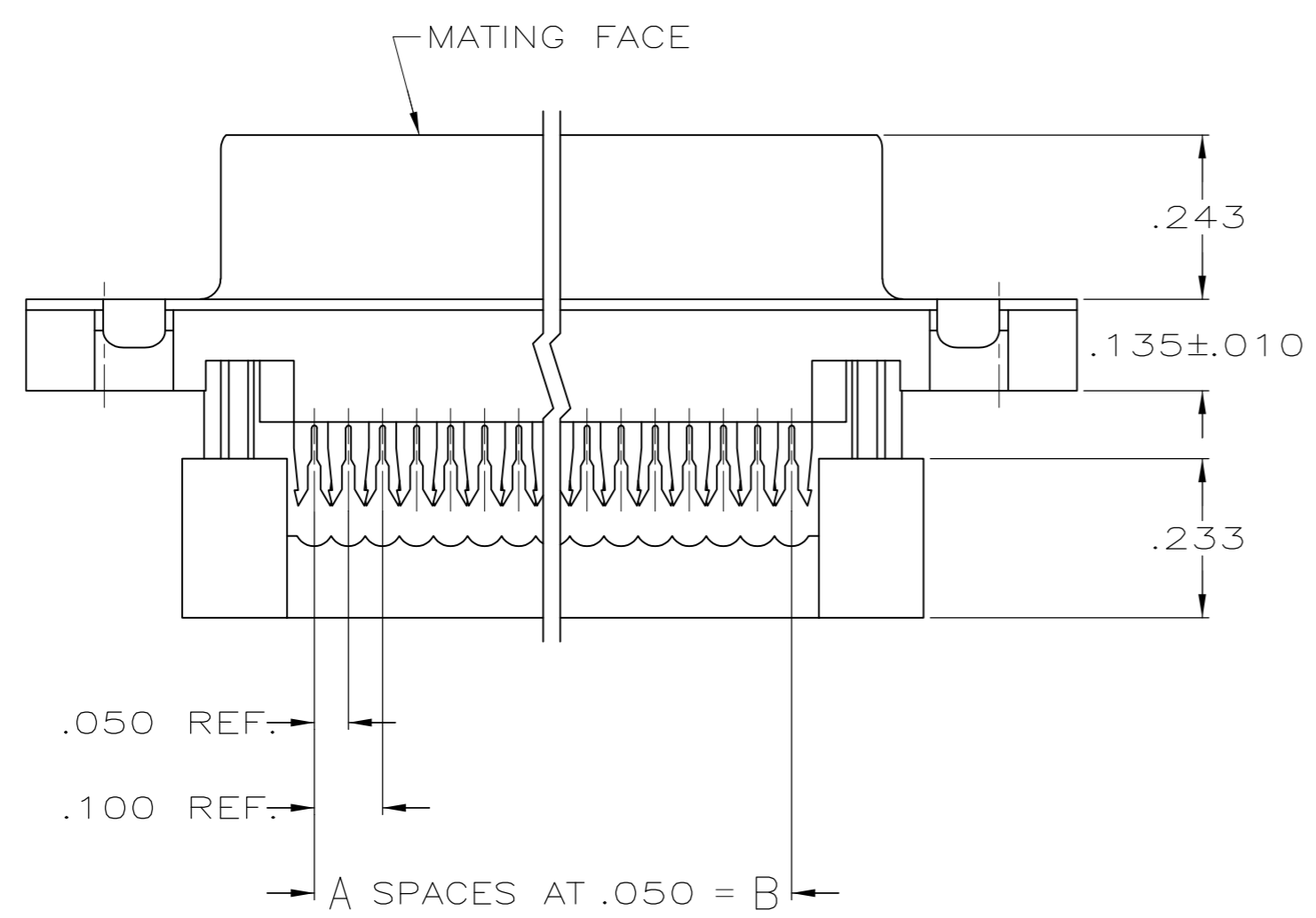


THIS DRAWING IS UNPUBLISHED. RELEASED FOR PUBLICATION
 © COPYRIGHT - By - ALL RIGHTS RESERVED.

LOC		DIST		REVISIONS			
P	LTR	DESCRIPTION		DATE	DWN	APVD	
GP	00	P		REVISED PER ECO-11-004835	11MAR11	RK HMR	



- CONNECTOR DESIGNED FOR 28 AND 26 AWG STRANDED AND SOLID CONDUCTOR RIBBON CABLE ON .050 ϕ .
- DIMENSION APPLIES TO TERMINATED CONNECTOR.
- MOLDED PARTS: THERMOPLASTIC, 94V-0 RATED, FLAME RETARDANT, BLACK. SHELL: STEEL PER QQ-S-698. CONTACTS: PHOSPHOR BRONZE PER QQ-B-750.
- GOLD PLATING PER MIL-G-45204, TIN PLATING PER MIL-T-10727, NICKEL PLATING PER QQ-N-290
- SHELL: BRIGHT TIN PLATED. CONTACTS: .000030 MIN GOLD IN LOCALIZED GOLD PLATE AREA, .000100-.000200 MATTE TIN ON TERMINATION END, ALL OVER .000050 MIN NICKEL ON ENTIRE CONTACT.



1.216	.984	.759	.643	.400	8	9	1658612-4
1.541	1.312	1.087	.971	.700	14	15	1658612-3
2.090	1.852	1.623	1.511	1.200	24	25	1658612-2
2.732	2.500	2.275	2.159	1.800	36	37	1658612-1
F	E	D	C	B	A	NO OF POSN	PART NUMBER

THIS DRAWING IS A CONTROLLED DOCUMENT.

DWN	L. BAUM	6/13/03
CHK	C. ROHDE	6/13/03
APVD	M. WALMSLEY	6/13/03

TE Connectivity

RCPT ASSY, FRONT METAL SHELL, LEAD-FREE, AMPLIMITE HDF

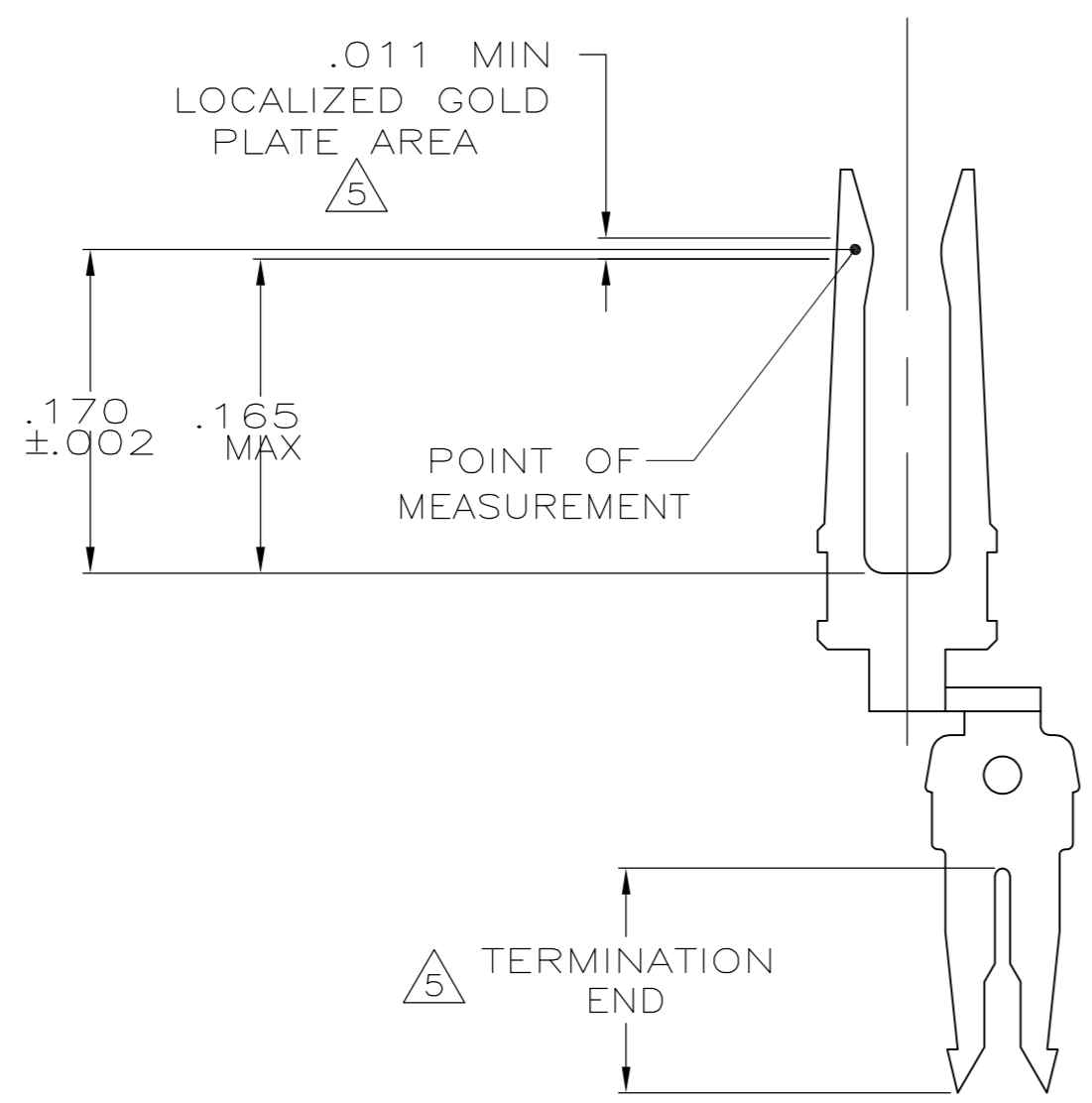
108-40012

SIZE: A2 CAGE CODE: 00779 DRAWING NO: C=1658612 RESTRICTED TO: -

SCALE: 4:1 SHEET: 1 of 2 REV: P

THIS DRAWING IS UNPUBLISHED. RELEASED FOR PUBLICATION
 © COPYRIGHT - By - ALL RIGHTS RESERVED.

LOC	DIST	REVISIONS			
P	LTR	DESCRIPTION	DATE	DWN	APVD
GP	00	SEE SHEET 1	-	-	-



CONTACT DETAIL
SCALE 10:1

THIS DRAWING IS A CONTROLLED DOCUMENT.		DWN L. BAUM 6/13/03	TE TE Connectivity	
DIMENSIONS: INCHES		CHK C. ROHDE 6/13/03		
TOLERANCES UNLESS OTHERWISE SPECIFIED:		APVD M. WALMSLEY 6/13/03	NAME RCPT ASSY, FRONT METAL SHELL, LEAD-FREE, AMPLIMITE HDF	
0 PLC ± - 1 PLC ± - 2 PLC ± - 3 PLC ± .005 4 PLC ± - ANGLES ± 2°		PRODUCT SPEC 108-40012	SIZE A2	CAGE CODE 00779
MATERIAL SEE SHEET 1		FINISH SEE SHEET 1	DRAWING NO C=1658612	RESTRICTED TO -
		WEIGHT -	SCALE 4:1	SHEET 2 of 2
		CUSTOMER DRAWING	REV P	

1658612

单击下面可查看定价，库存，交付和生命周期等信息

[>>TE Connectivity\(泰科\)](#)

[>>点击查看相关商品](#)