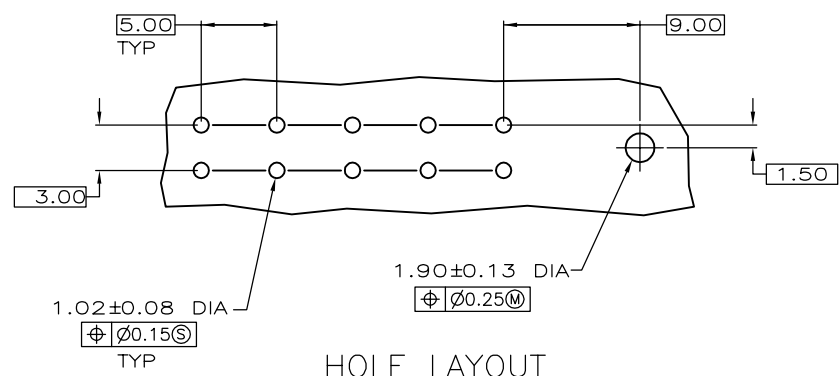
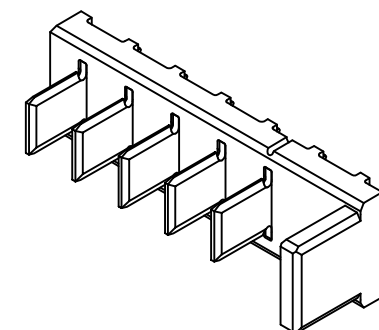
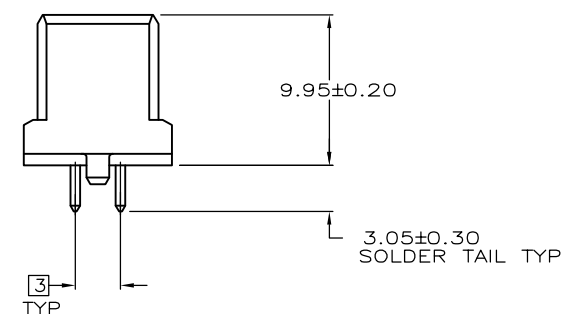
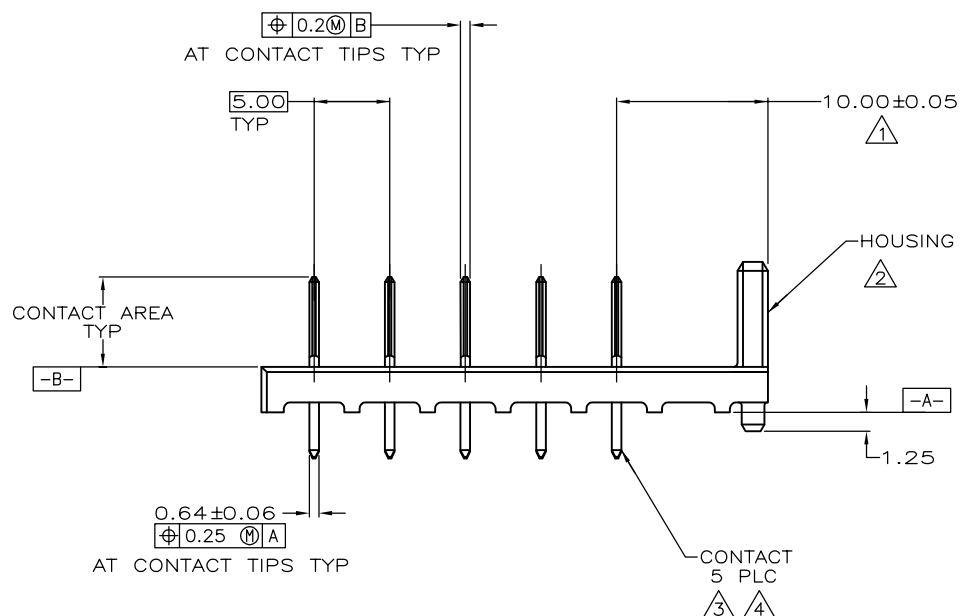
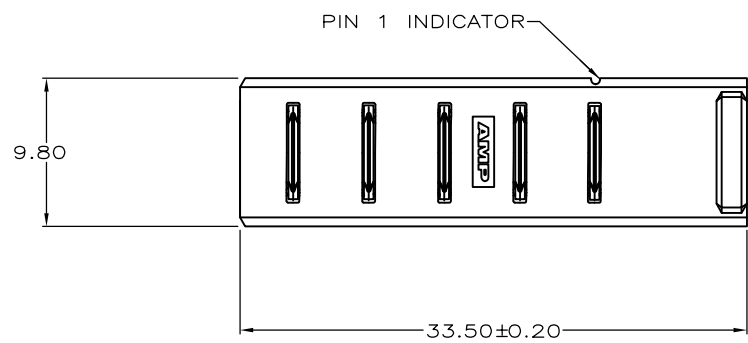


LOC ES DIST 00

REVISIONS

P	LTR	DESCRIPTION	DATE	DWN	APVD
	A	REVISED PER ECR-08-013882	03JUN2008	A.S	S.Y



- ① COORDINATE DIMENSION APPLIES FROM CENTER OF ACTUAL FEATURE.
- ② HOUSING: POLYPHTHALAMIDE, COLOR BLACK.
- ③ FINISH:  
2.54um MIN TIN ON SOLDER TAIL OVER  
1.90um MIN NICKEL ALL OVER.
- ④ CONTACTS: BRASS

5787419-1  
PART NO

THIS DRAWING IS A CONTROLLED DOCUMENT.		DWN S.KLINE 03/16/95	Tyco Electronics Corporation	
DIMENSIONS: mm		CHK S.KLINE 03-17-95	Shanghai PRC	
TOLERANCES UNLESS OTHERWISE SPECIFIED:		APVD S.KLINE 03-17-95	NAME	
0 PLC ± -		PRODUCT SPEC	108-1501	
1 PLC ± -		APPLICATION SPEC	114-24005	
2 PLC ± 0.13		WEIGHT	-	
3 PLC ± -		SIZE CAGE CODE DRAWING NO RESTRICTED TO		
4 PLC ± -		A3 00779 C-5787419		
4 ANGLES ± -		CUSTOMER DRAWING SCALE 2:1 SHEET 1 OF 1 REV A		
MATERIAL ② ④		FINISH ③		

单击下面可查看定价，库存，交付和生命周期等信息

[>>TE Connectivity\(泰科\)](#)