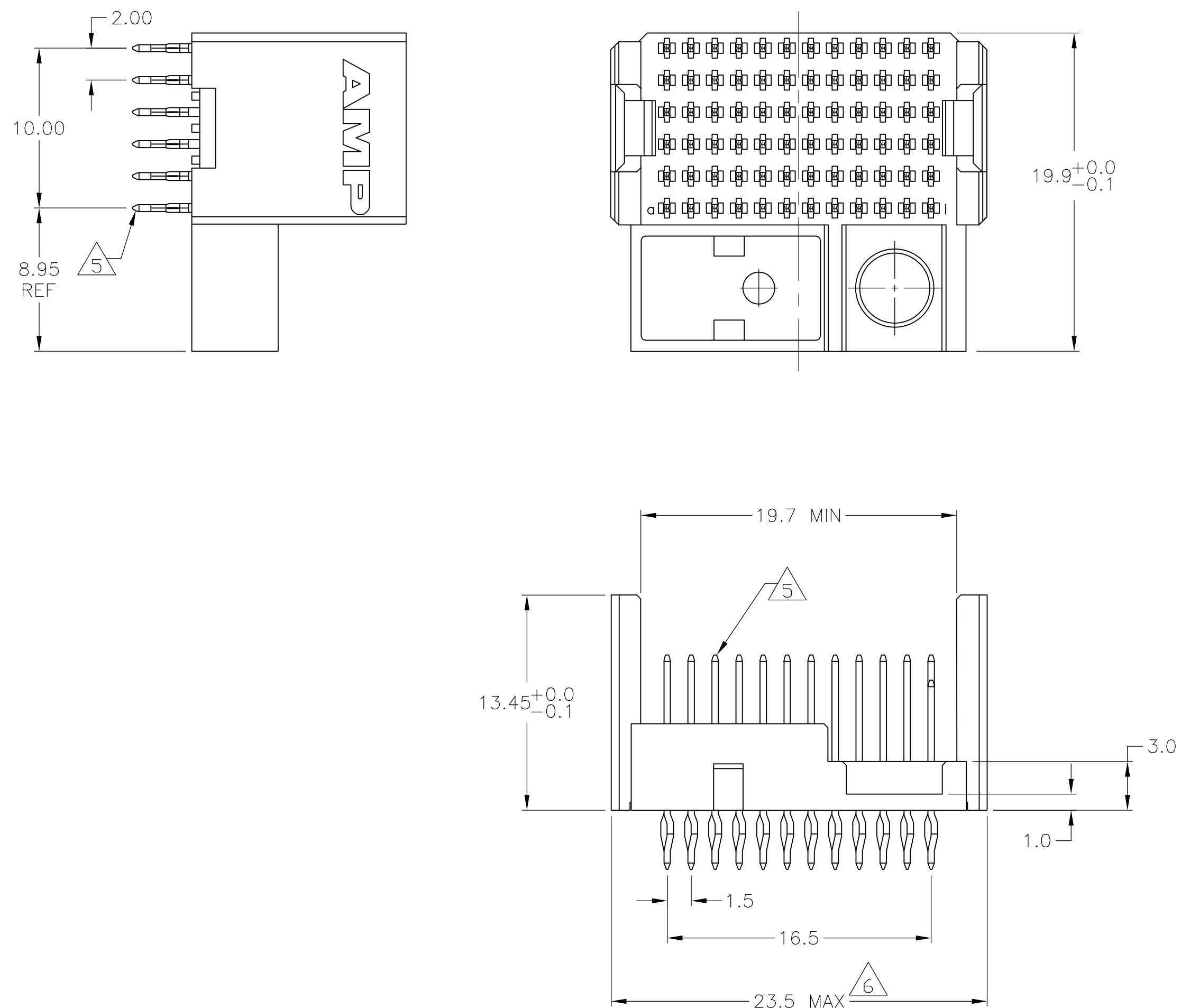
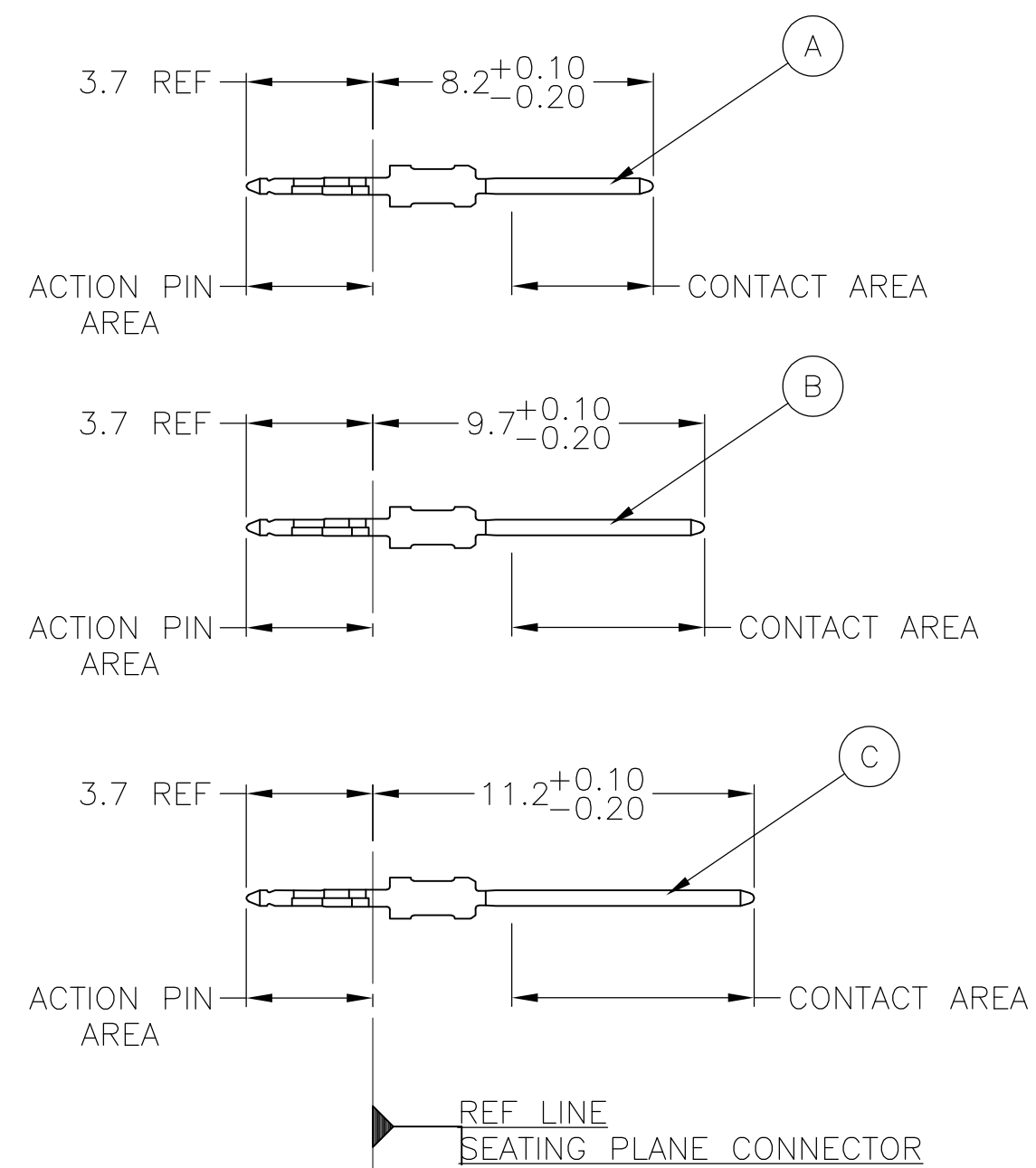


# CONNECTOR ASSEMBLY EXAMPLARY LOADED $\triangle 4$

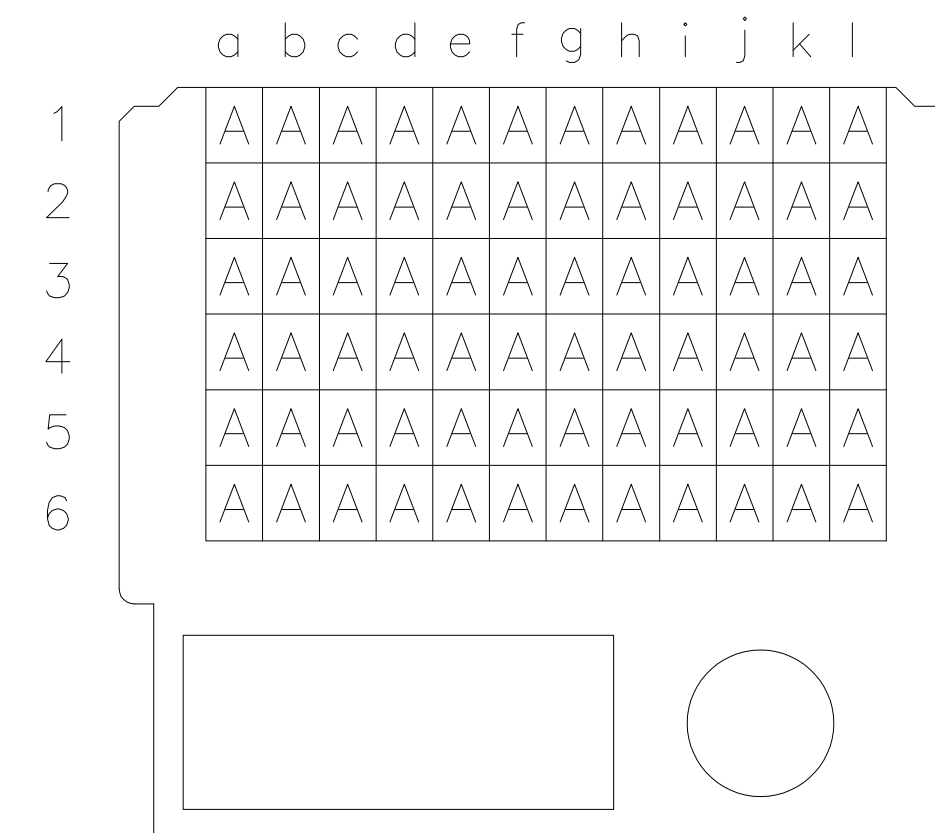


## CONTACT DIMENSIONS

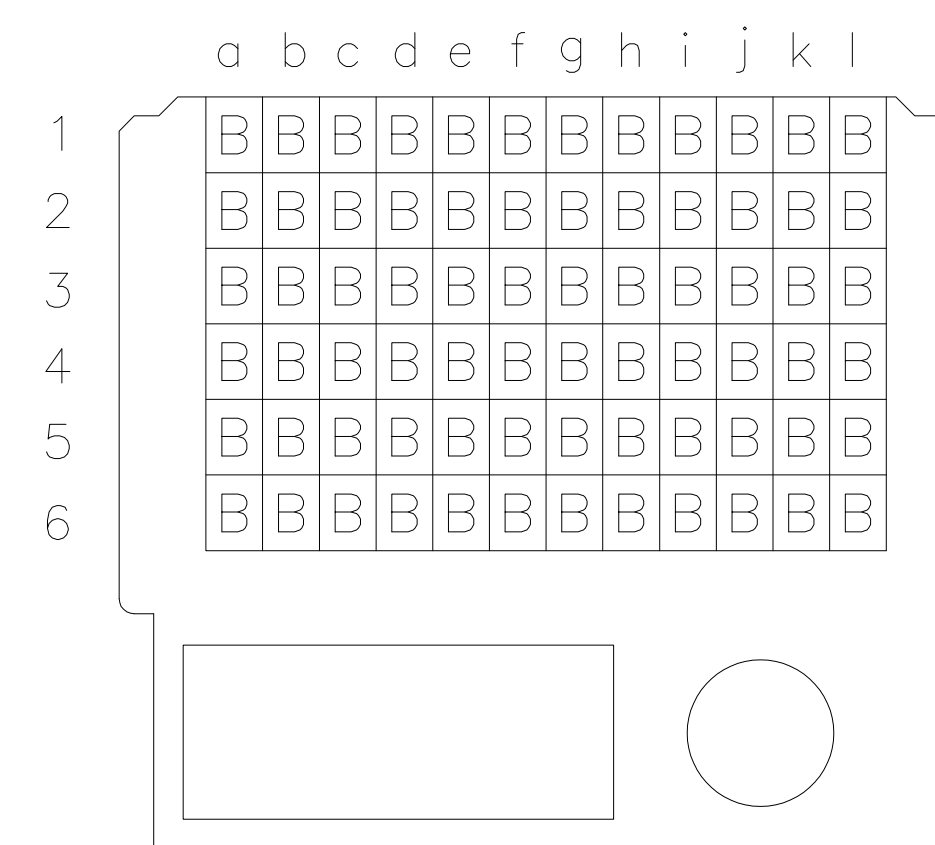
SCALE 5:1



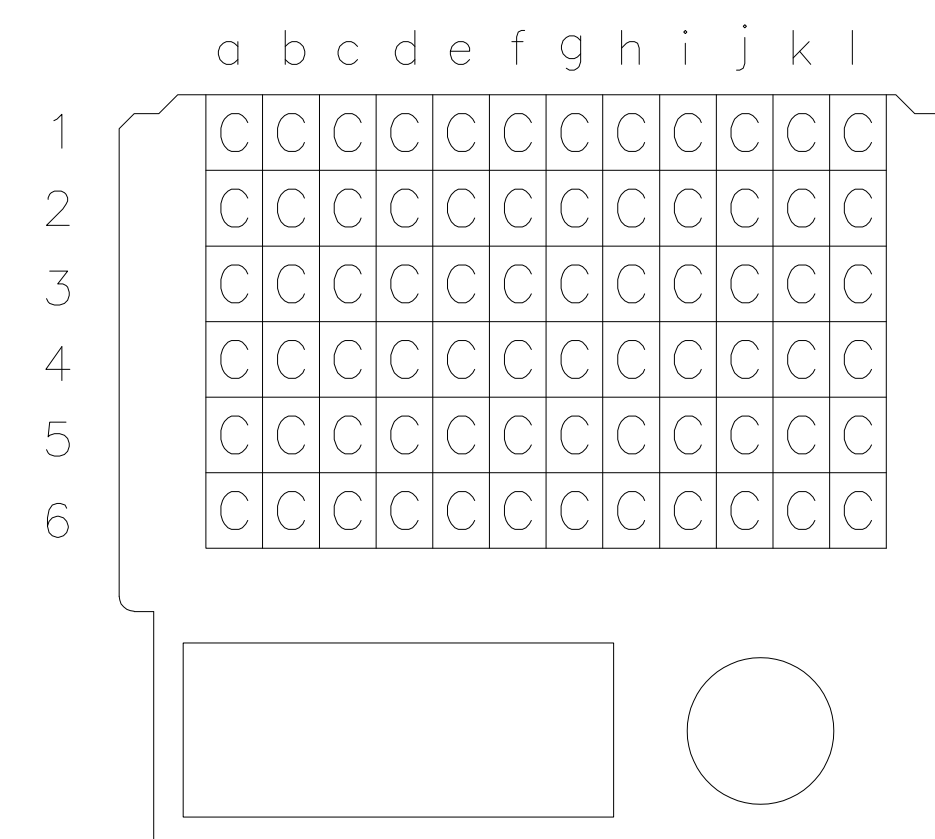
## CONTACT LAYOUT



## 5120642-1 AS SHOWN



## $\triangle 10$ 5120642-2 AS SHOWN

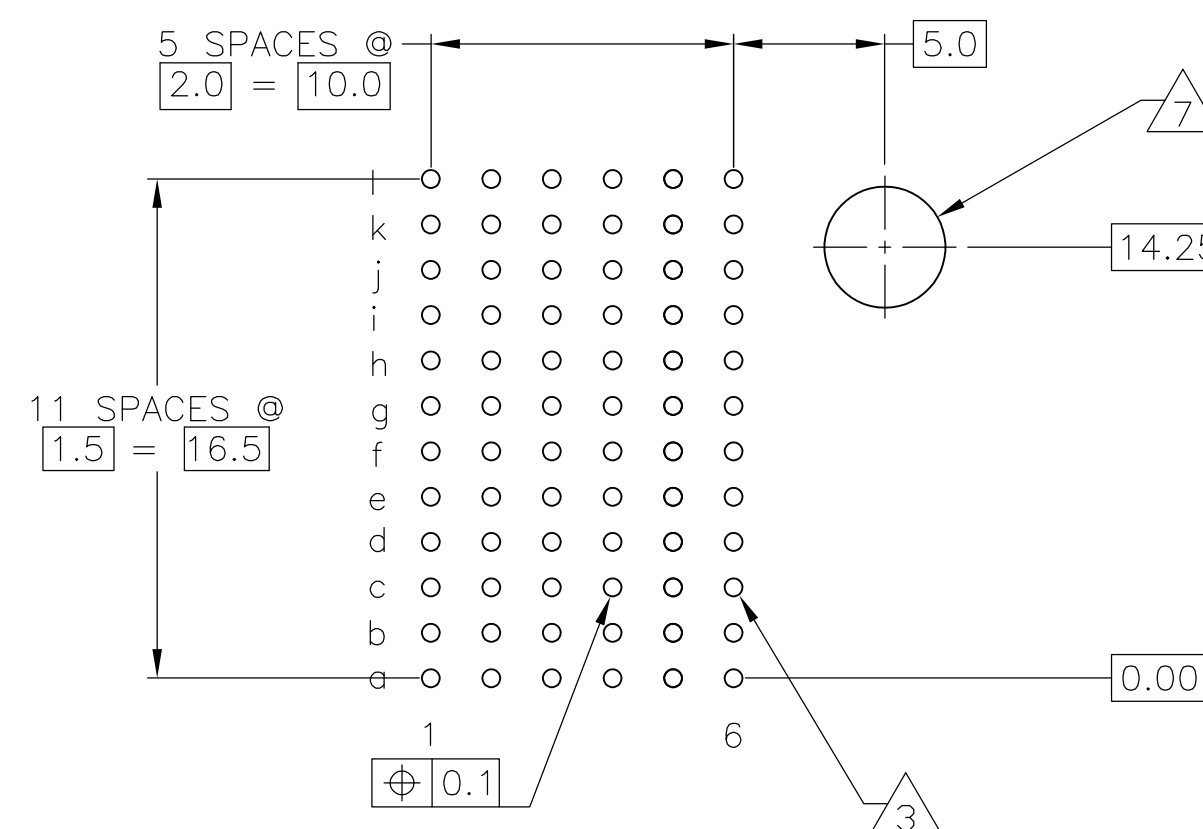


## 5120642-3 AS SHOWN

## RECOMMENDED PCB-HOLE LAYOUT COMPONENT SIDE SHOWN

## PLATED THRU HOLES PARAMETERS

REFERENCE APPLICATION SPECIFICATION



- $\triangle 1$  CONFORMS TO ALL TESTING ACCORDING TO IEC 61076-4-101 PERFORMANCE LEVEL 2.
- $\triangle 2$  MATERIAL:  
CONTACT: PHOSPHOR BRONZE.  
HOUSING: GLASS-FILLED POLYESTER.
- $\triangle 3$  PLATED-THROUGH HOLES AT 2x2mm SQUARE GRID PATTERN DEFINED BY CONTACT LAYOUT.
- $\triangle 4$  FOR ACTUAL PIN LOADING SEE "CONTACT LAYOUT".
- $\triangle 5$  FOR ACTUAL PIN DIMENSIONS SEE "CONTACT DIMENSIONS".
- $\triangle 6$  TO BE MEASURED AT BOTTOM OF SHROUD.
- $\triangle 7$  GUIDE PIN HOLE DIAMETER CLEARANCE DEFINED BY CHOICE OF GUIDE PIN.
- 8. KEY AND ALIGNMENT PIN ASSEMBLED BY END USER AT APPLICATION.
- $\triangle 9$  GENERAL PLATING SPECIFICATION: UNDERPLATING (ENTIRE CONTACT): 1.27 $\mu$ m MIN NICKEL AND ACTION PIN: 0.5 $\mu$ m MIN TIN. FOR PLATING OF MATING SURFACES SEE APPLICABLE SPECIFICATION REFERENCE FOR EACH DASH NUMBER
- $\triangle 10$  OBSOLETE PARTS: OBSOLETE CIS STREAMLINING PER D.RENAUD/D.SINISI

THIS DRAWING IS A CONTROLLED DOCUMENT.		DIN B. CARBO 01JUN05		Tyco Electronics Corporation Harrisburg, PA 17105-3608	
DIMENSIONS: mm		TOLERANCES UNLESS OTHERWISE SPECIFIED:		APPROVED: G. SKIPPER 01JUN05	
0-PLC: ±		1-PLC: ± 0.1		NAME: MALE ASSEMBLY, Z-PACK 2mm HM, LEFT HAND, 12 ROW	
1-PLC: ± 0.2		2-PLC: ± 0.2		APPLICATION SPEC: 108-1738	
3-PLC: ± 0.2		4-PLC: ± 0.2		SIZE: A1	
MATERIAL: $\triangle 2$		FINISH: $\triangle 1$ $\triangle 9$		CAGE CODE: 00779	
				DRAWING NO: 5120642	
				RESTRICTED TO: -	
				CUSTOMER DRAWING	
				SCALE: 4:1 SHEET: 1 OF 1 REV: C	

5120642-3
$\triangle 10$ OBSOLETE -5120642-2-
5120642-1
PART NUMBER

单击下面可查看定价，库存，交付和生命周期等信息

[>>TE Connectivity\(泰科\)](#)