


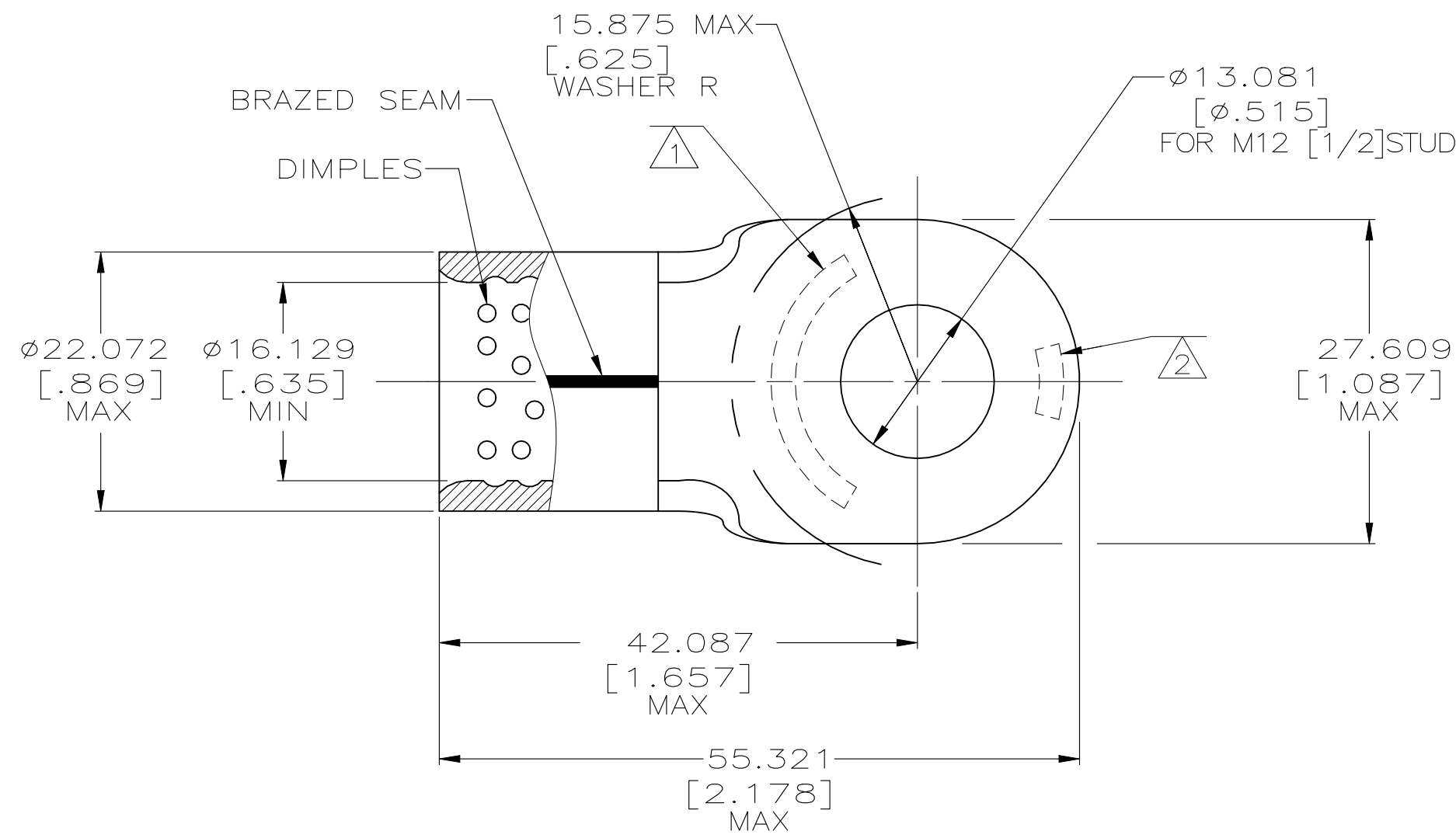






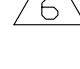



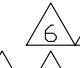
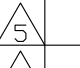
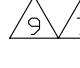
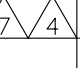

© - TE Connectivity. All Rights Reserved.


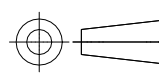




REVISIONS				
P	LTR	DESCRIPTION	DATE	APVD
	F1	ECO-19-009164	01OCT2021	RK DR

AMP WIRE RANGE	 E13288 Listed
4/0 AWG SOLID OR STRANDED	4/0 AWG STRANDED
 LR7189 Certified	MILITARY P/N AND CLASS
4/0 AWG SOLID OR STRANDED	MS20659-124 CLASS 2 



-  STAMP AMP 4/0W* APPROX AS SHOWN
-  STAMP AMP 200 APPROX AS SHOWN
-  MATERIAL THK: 2.591±0.076[.102±.003]
-  TIN PLATE 0.00254[.000100]MIN. EXT.THK PER ASTM B545
-  NICKEL PLATE 0.00762[.000300] MIN. EXT. THK. PER SAE AMS QQ-N-290
-  NOT UL, CSA OR MILITARY APPROVED. FOR STRANDED WIRE ONLY
-  PRODUCT SPECIFICATION UL 486A-B, SAE AS7928
-  COPPER PER ASTM B152, ANNEALED

 	343°C [649°F]	50	LOOSE PIECE	321880-1
  	170°C [338°F]	50	LOOSE PIECE	321880
	MAX RECOMMENDED TEMPERATURE	QTY	PACKAGE TYPE	PART NO

AMP INCORPORATED CUSTOMER SERVICE SYSTEMS		MAX RECOMMENDED OPERATING TEMPERATURE: SEE TABLE	THIS DRAWING IS A CONTROLLED DOCUMENT.		DWN DK SCHRUM 5/25/93	 TE Connectivity					
FOR ADDITIONAL PRODUCT INFORMATION OR COPIES OF DRAWINGS AND TECHNICAL DOCUMENTS	PRODUCT INFORMATION CENTER 1-800-522-6752	VOLTAGE RATING: NOT APPLICABLE	DIMENSIONS: INCHES	TOLERANCES UNLESS OTHERWISE SPECIFIED:	CHK RD HEIM 1/27/94					NAME TERMINAL, RING TONGUE, SOLISTRAND AND STRATO-THERM HR, WIRE SIZE: 4/0 AWG	
FOR APPLICATION TOOLING INFORMATION	TOOLING ASSISTANCE CENTER 1-800-722-1111	WIRE CROSS SECTIONAL AREA RANGE: 96.3-117.0mm ² [190,000-231,100] CIR MILS SOLID OR STRANDED		0 PLC ± - 1 PLC ± - 2 PLC ± - 3 PLC ± 0.127[.005] 4 PLC ± - ANGLES ± -	APVD RE ROSER 1/27/94	PRODUCT SPEC CR RHOADS 1/27/94	APPLICATION SPEC 	SIZE	CAGE CODE	DRAWING NO	RESTRICTED TO
FOR ORDER ENTRY	1-800-526-5142	THIS DRAWING IS A CONTROLLED DOCUMENT FOR AMP INCORPORATED. IT IS SUBJECT TO CHANGE AND THE CONTROLLING ENGINEERING ORGANIZATION SHOULD BE CONTACTED FOR THE LATEST REVISION.	MATERIAL 	FINISH  	WEIGHT -	A300779		C-321880			
CUSTOMER DRAWING					SCALE	2:1		SHEET	1 OF 1		REV F1

单击下面可查看定价，库存，交付和生命周期等信息

[>>TE Connectivity\(泰科\)](#)