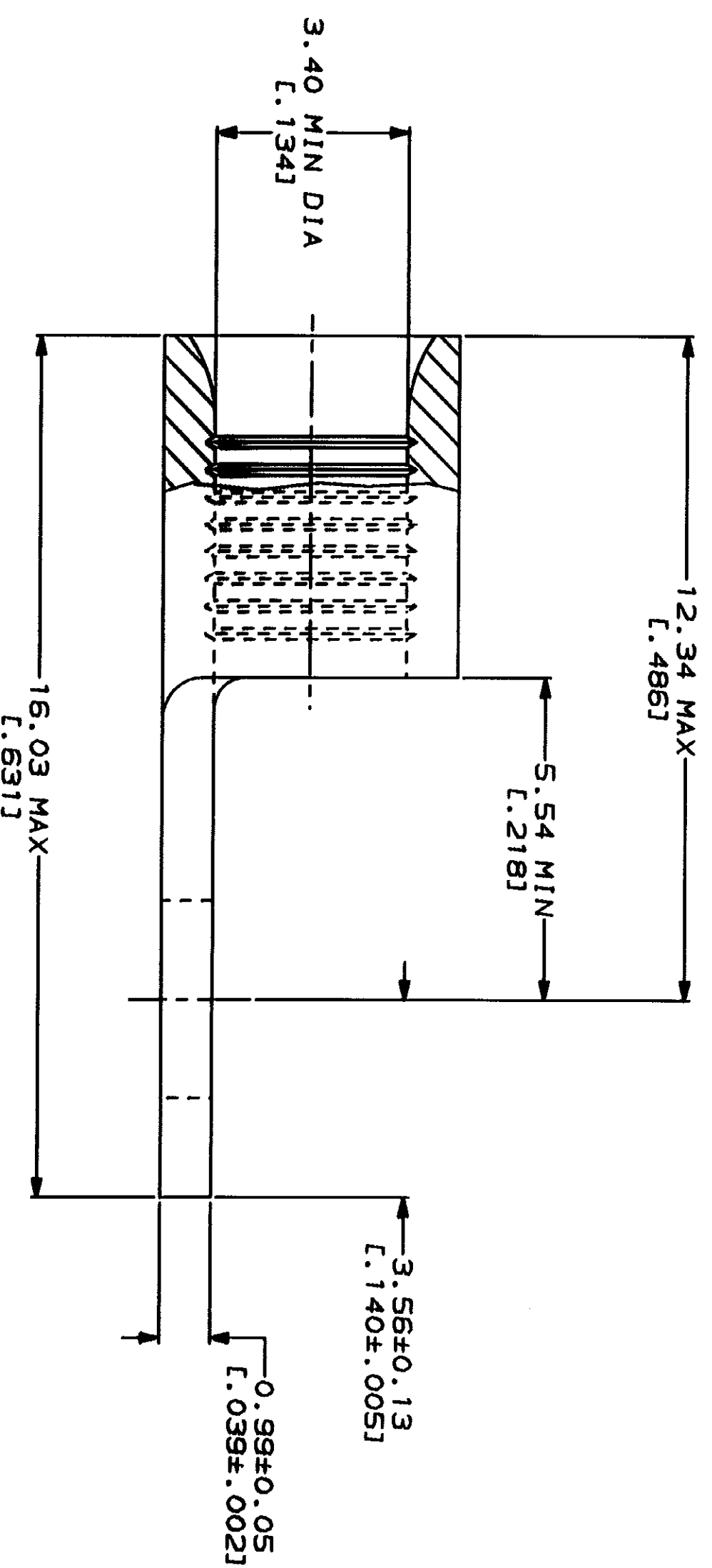


WIRE RANGE	E13288 Listed
12-10 AWG STRANDED	12-10 AWG STRANDED
LR7189 Certified NOT CERTIFIED	MILITARY P/N AND CLASS NOT APPLICABLE

△ STAMP AMP 12-10\* APPROX AS SHOWN



AMP INCORPORATED  
 CUSTOMER SERVICE SYSTEMS

FOR ADDITIONAL  
 PRODUCT INFORMATION OR  
 COPIES OF DRAWINGS  
 AND TECHNICAL DOCUMENTS  
 1-800-522-6752

FOR APPLICATION  
 TOOLING INFORMATION  
 1-800-722-1111

FOR ORDER ENTRY  
 1-800-526-5142

MAX RECOMMENDED OPERATING  
 TEMPERATURE: 170°C MAX

VOLTAGE RATING:  
 NOT APPLICABLE

WIRE CROSS SECTIONAL AREA RANGE:  
 2.62-6.64mm<sup>2</sup> [5,180-13,100] CIR MILS  
 STRANDED

THIS DRAWING IS A CONTROLLED DOCUMENT FOR AMP INCORPORATED. IT IS SUBJECT TO CHANGE WITHOUT NOTICE. CONTACT YOUR SALES REPRESENTATIVE FOR THE LATEST REVISION.

DO NOT SCALE PRINT.  
 UNLESS SPECIFIED  
 DIMENSIONS IN MILLIMETERS  
 TOLERANCES ON:  
 2 PLG DEC ± .05  
 3 PLG DEC ± .05  
 ANGLES ± .5°

MATERIAL  
 COPPER PER  
 ASTM B-152  
 ANNEALED

FINISH  
 TIN PLATE  
 0.00254 [L.000100] MIN  
 THK PER MIL-T-10727

DR 1-29-93  
 TA BRINKMAN  
 CHK 1-29-93  
 DA PATTERSON  
 APPD 1-29-93  
 DE MILLER  
 APPD 1-29-93  
 JL NECKLEY  
 PRODUCT SPEC

AMP  
 AMP Incorporated  
 Harrisburg, PA 17125-3608

TERMINAL, RECTANGULAR  
 TONGUE, BUDGET

SIZE CAGE CODE DRAWING NO  
 00779 33426

SCALE 10:1 SHEET 1 OF 1

33426  
 PART NO

33426

单击下面可查看定价，库存，交付和生命周期等信息

[>>TE Connectivity\(泰科\)](#)