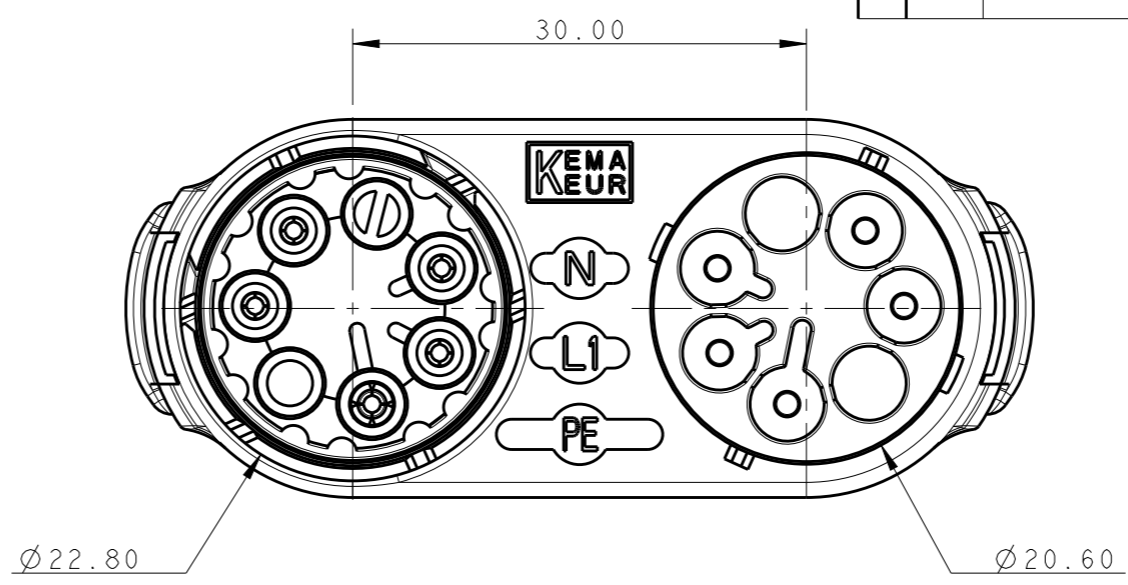
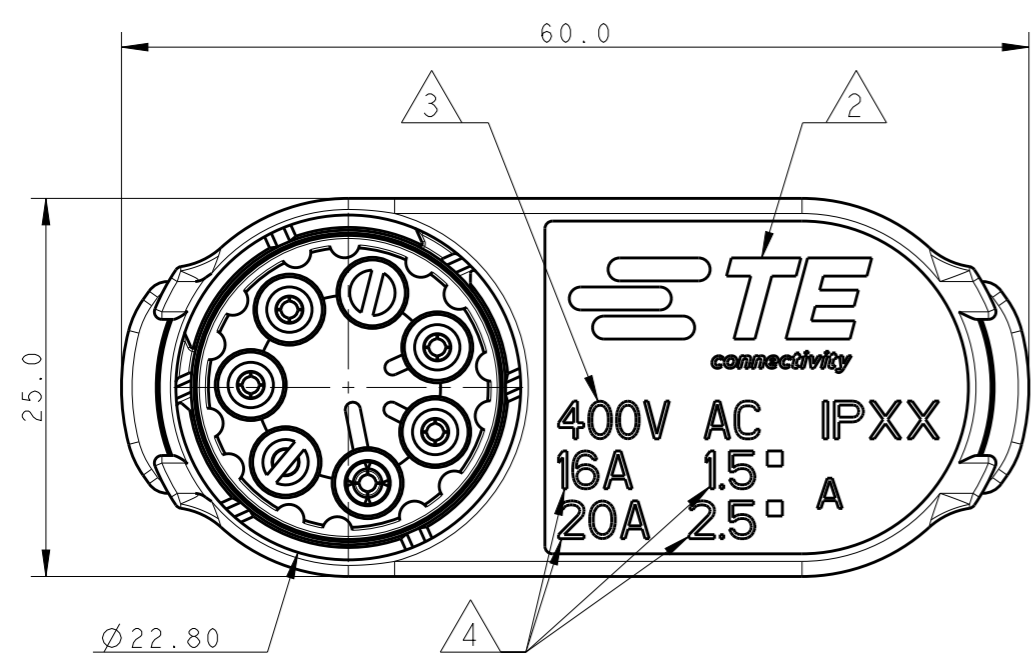
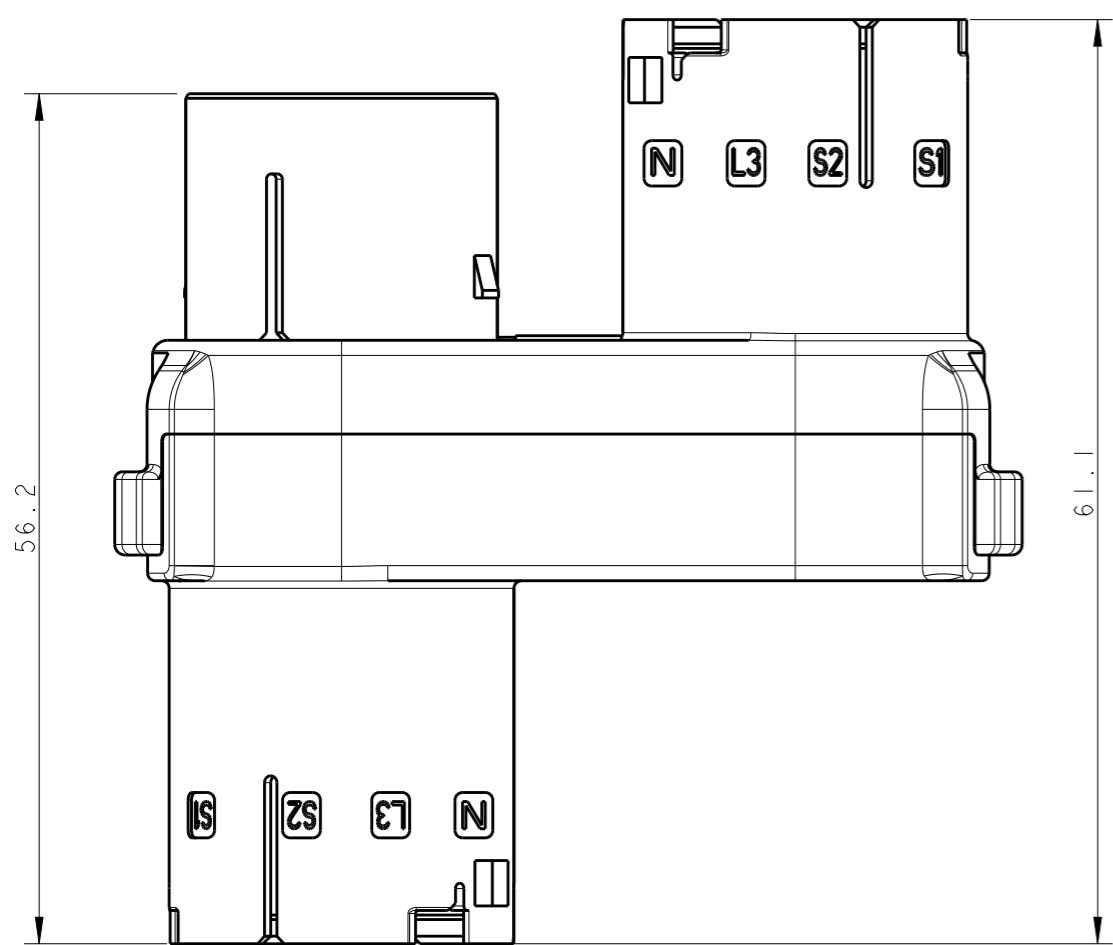


THIS DRAWING IS UNPUBLISHED. RELEASED FOR PUBLICATION 2013
 © COPYRIGHT 2013 BY - ALL RIGHTS RESERVED.

REVISIONS					
P	LTR	DESCRIPTION	DATE	DWN	APVD
	B1	REVISED PER ECR-18-006945	29MAY2018	NG	MZ



- NOTES:
- FOR ALL POLARISATION KEYS SEE TABLE ON SHEET 2 OF 2
 - TE LOGO
 - RATED VOLTAGE
 - RATED CURRENT AND CABLE SIZE
 - PARTS UNDER APPROVAL ACCORDING TO IEC 61535. PARTS TO BE TESTED ACCORDING TO INTERNAL TE ENDURANCE TESTS PROCEDURE
 - PARTS RELEASED FOR PRODUCTION WITH THE EXCEPTION OF FACE SEAL COMPONENTS WHICH ARE NOT YET RELEASED AND CURRENTLY UNDER TESTING



OBSOLETE	BLACK	E	T-SPLITTER 5 POS CONN. SEALED NECTOR M-LINE	1879999-5	B
	BLACK	D	T-SPLITTER 5 POS CONN. SEALED NECTOR M-LINE	1879999-4	B
	BLACK	C	T-SPLITTER 5 POS CONN. SEALED NECTOR M-LINE	1879999-3	B
	BLACK	B	T-SPLITTER 5 POS CONN. SEALED NECTOR M-LINE	1879999-2	B
	BLACK	A	T-SPLITTER 5 POS CONN. SEALED NECTOR M-LINE	1879999-1	B
COLOUR	POL. KEYING	DESCRIPTION	PART NUMBER	REV.	

THIS DRAWING IS A CONTROLLED DOCUMENT.

DIMENSIONS: mm	TOLERANCES UNLESS OTHERWISE SPECIFIED:	DWN M. ZUCCA 08MAY2013	TE Connectivity NAME NECTOR M-LINE 5 POLES T-SPLITTER CONNECTOR SEALED VERSION
	0 PLC ±	CHK M. ZUCCA 08MAY2013	
	1 PLC ±0.3	APVD J. CATCHPOLE 08MAY2013	
	2 PLC ±0.20	PRODUCT SPEC -	
	3 PLC ±	APPLICATION SPEC -	SIZE A3
	4 PLC ±	WEIGHT -	CAGE CODE -
	ANGLES ±3°	Customer Drawing	DRAWING NO C-1879999
MATERIAL -	FINISH -	SCALE 2:1	RESTRICTED TO -
		SHEET 1 OF 3	REV B1

REVISIONS

P	LTR	DESCRIPTION	DATE	DWN	APVD
-	-	SEE SHEET 1	-	-	-

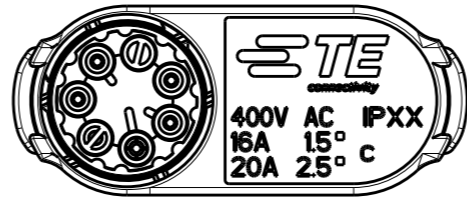
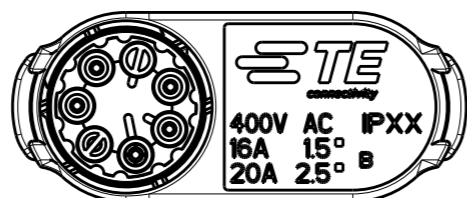
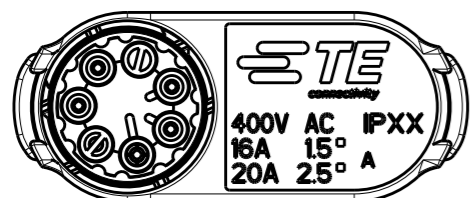
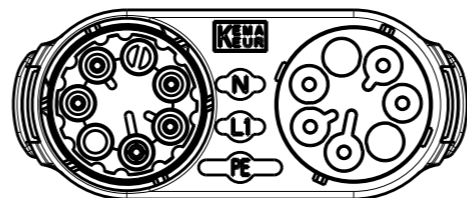
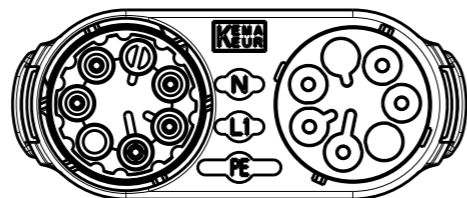
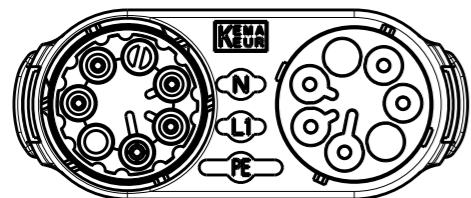
POLARISATION KEYS

SCALE 1:1

TYPE "A-A"

TYPE "B-B"

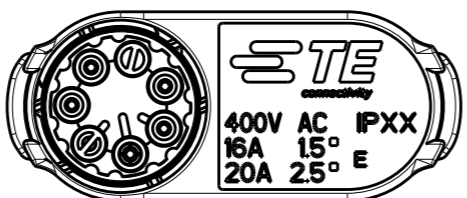
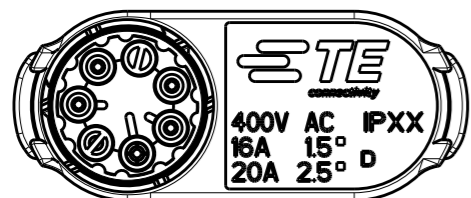
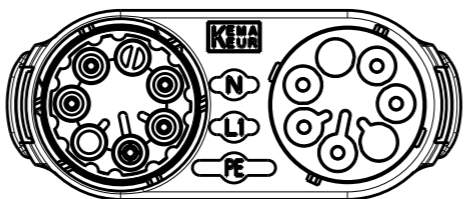
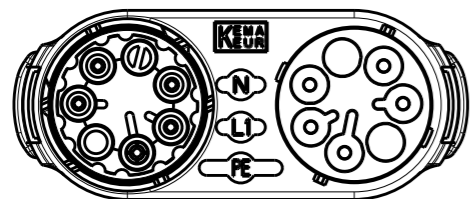
TYPE "C-C"



P/N 1879999-1
TYPE "D-D"

P/N ~~1879999-2~~
TYPE "E-E"

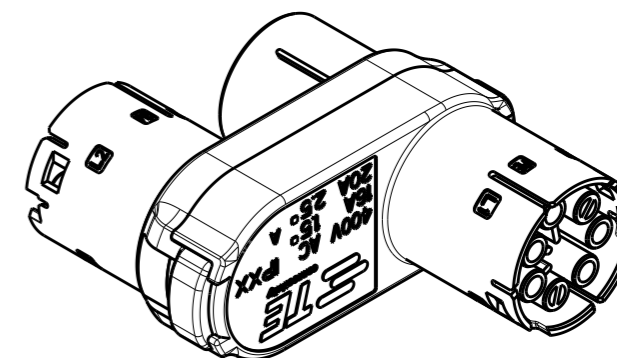
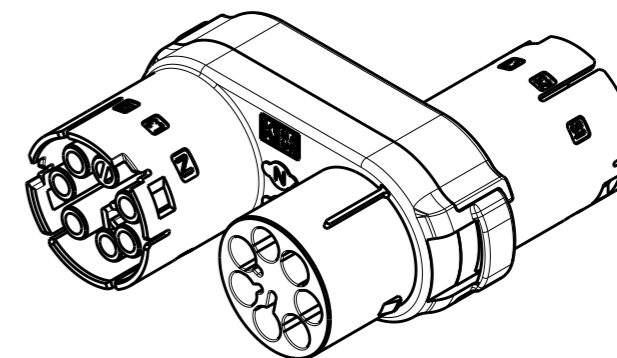
P/N ~~1879999-3~~



P/N ~~1879999-4~~

P/N ~~1879999-5~~

3D VIEWS.
FOR REFERENCE ONLY

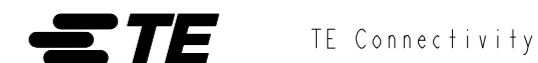


SCALE 1:1

THIS DRAWING IS A CONTROLLED DOCUMENT.

DIMENSIONS:	TOLERANCES UNLESS OTHERWISE SPECIFIED:
mm	0 PLC ±-
	1 PLC ±0.3
	2 PLC ±0.20
	3 PLC ±-
	4 PLC ±-
MATERIAL	ANGLES ±3°
-	FINISH
-	-

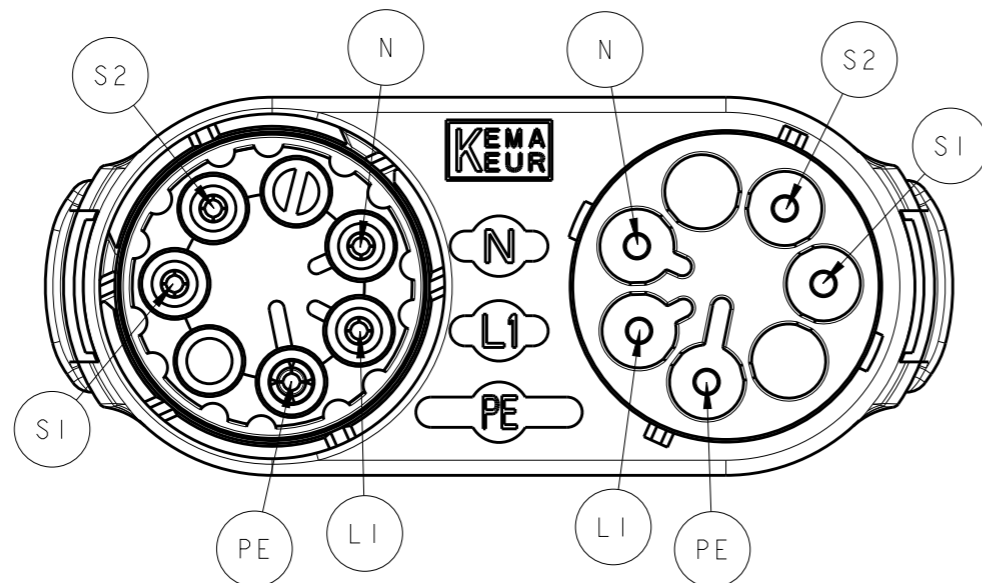
DWN	M. ZUCCA	08MAY2013
CHK	M. ZUCCA	08MAY2013
APVD	J. CATCHPOLE	08MAY2013
PRODUCT SPEC	-	-
APPLICATION SPEC	-	-
WEIGHT	-	-
Customer Drawing		



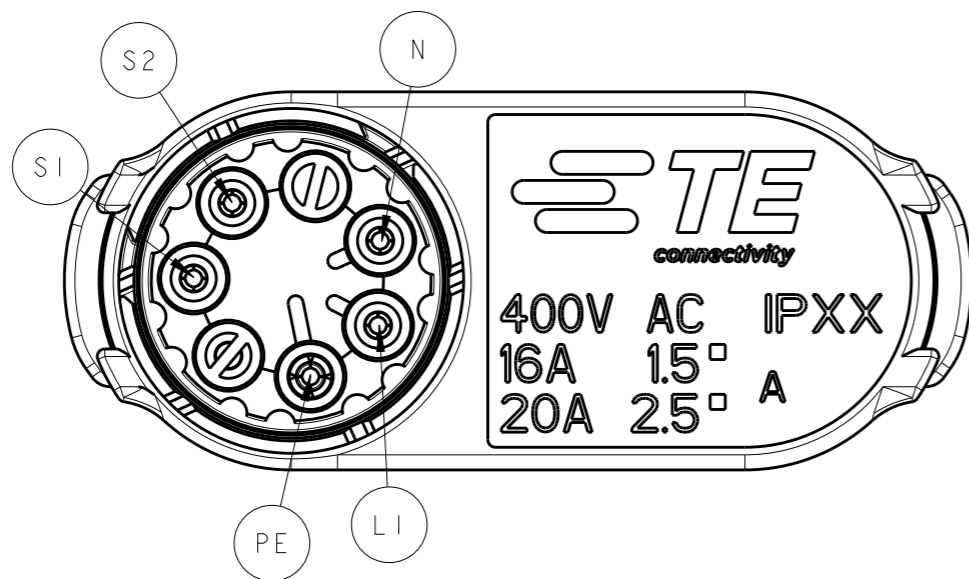
NAME				NECTOR M-LINE 5 POLES T-SPLITTER CONNECTOR SEALED VERSION	
SIZE	CAGE CODE	DRAWING NO	RESTRICTED TO		
A3	-	1879999	-		
SCALE		SHEET	OF	REV	
2:1		2	3	B1	

REVISIONS

P	LTR	DESCRIPTION	DATE	DWN	APVD
-	-	SEE SHEET 1	-	-	-

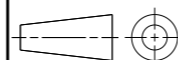


ADDITIONAL DETAILS ON CAVITY CIRCUIT POSITION. FOR INFORMATION ONLY



THIS DRAWING IS A CONTROLLED DOCUMENT.

DIMENSIONS:
mm



TOLERANCES UNLESS OTHERWISE SPECIFIED:

0 PLC	±-
1 PLC	±0.3
2 PLC	±0.20
3 PLC	±-
4 PLC	±-
ANGLES	±3°

MATERIAL
-

FINISH
-

DWN M. ZUCCA 08MAY2013
CHK M. ZUCCA 08MAY2013
APVD J. CATCHPOLE 08MAY2013

PRODUCT SPEC -
APPLICATION SPEC -
WEIGHT -



NAME
NECTOR M-LINE 5 POLES
T-SPLITTER CONNECTOR
SEALED VERSION

SIZE	CAGE CODE	DRAWING NO	RESTRICTED TO
A3	-	C-1879999	-

Customer Drawing SCALE 2:1 SHEET 3 OF 3 REV B1

单击下面可查看定价，库存，交付和生命周期等信息

[>>TE Connectivity\(泰科\)](#)