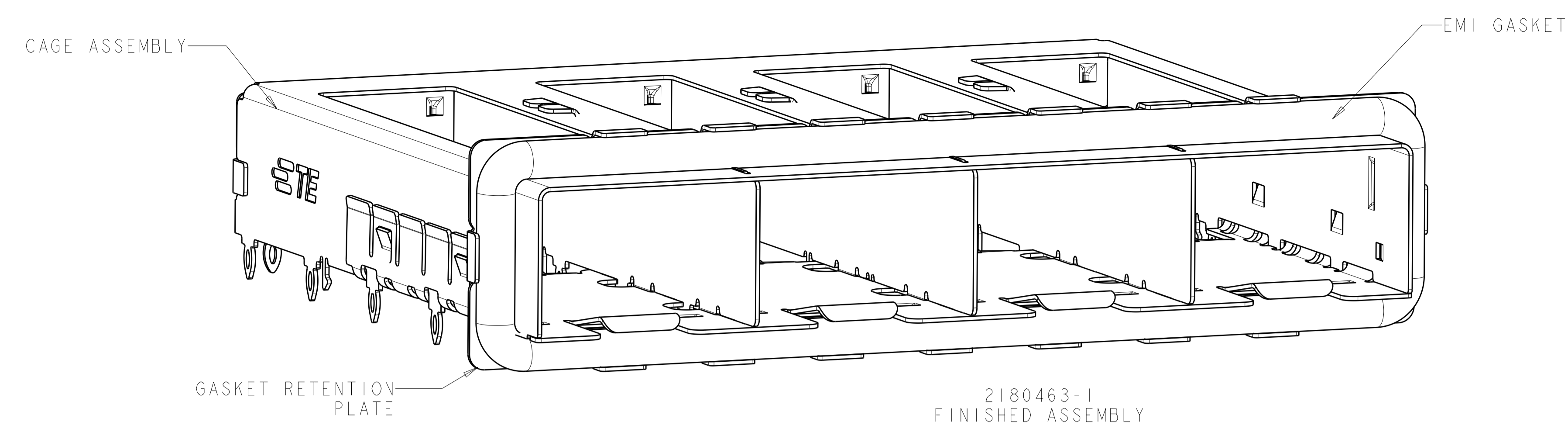
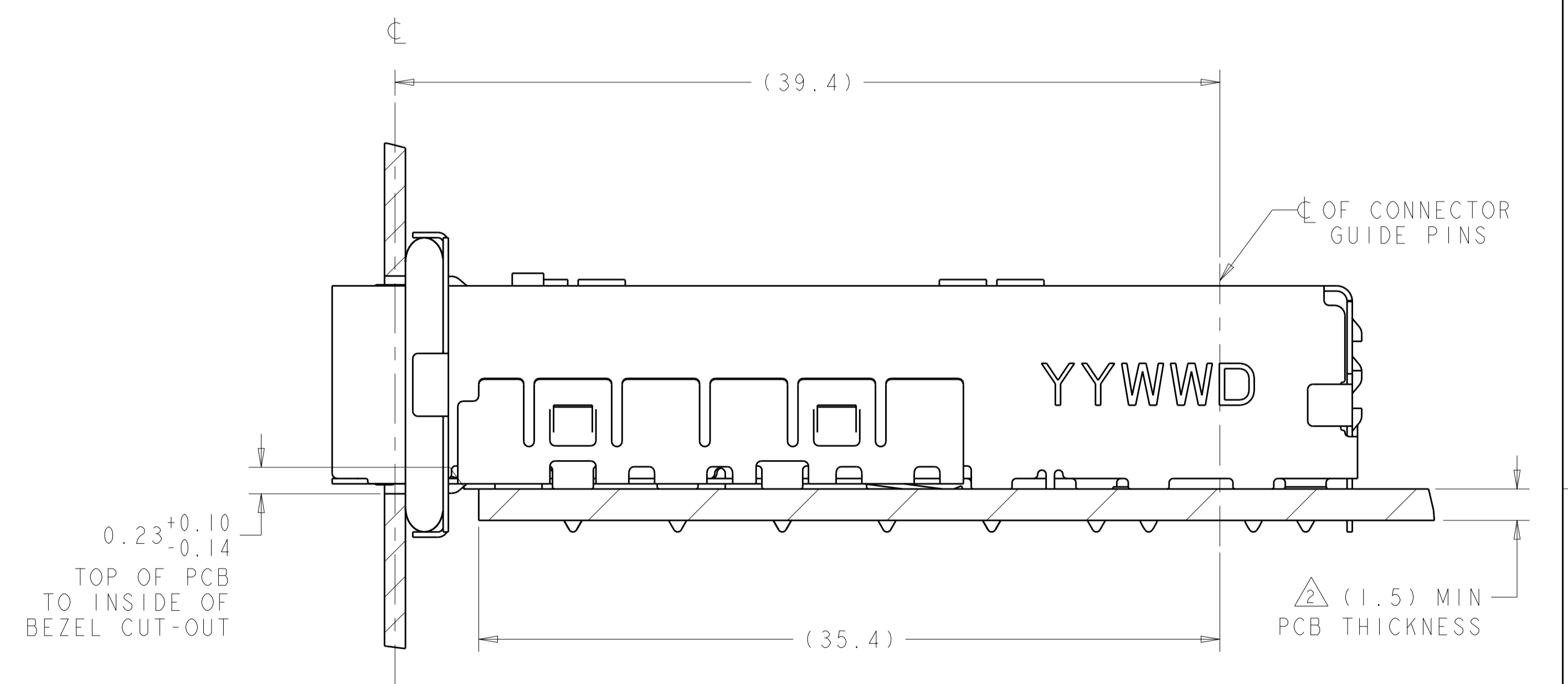
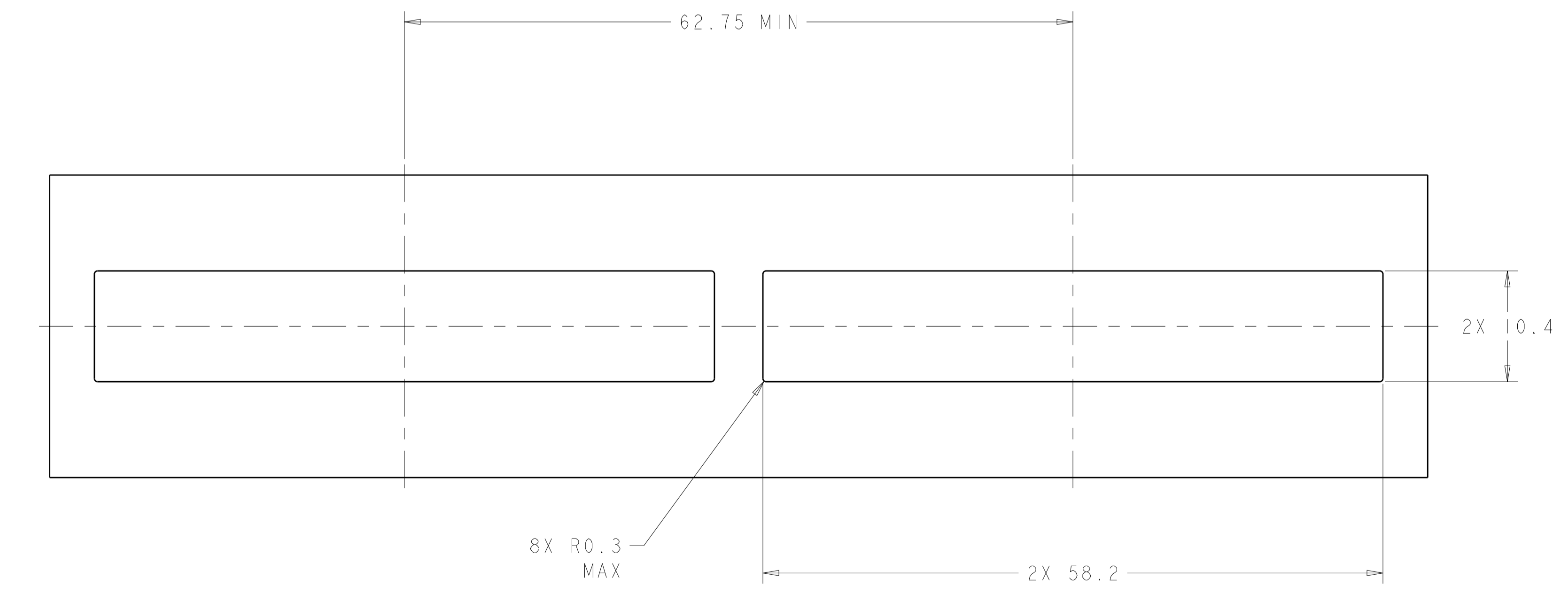
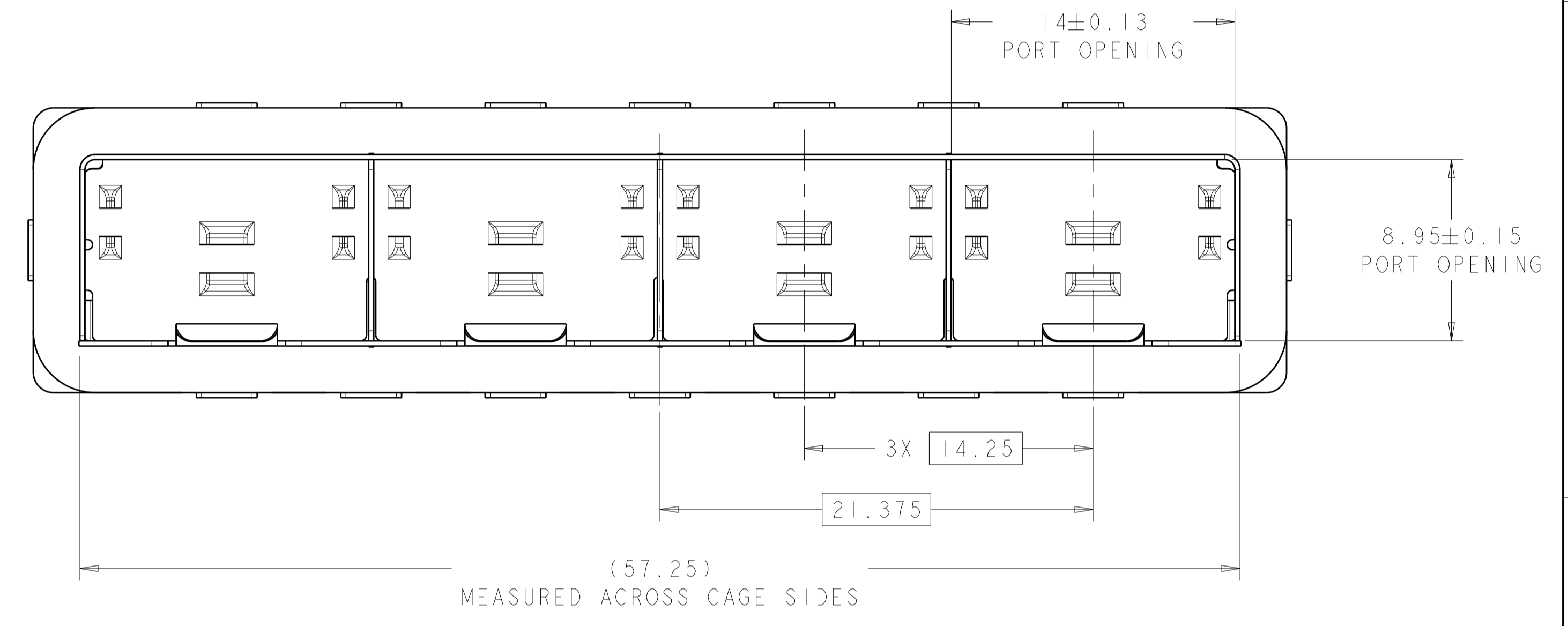
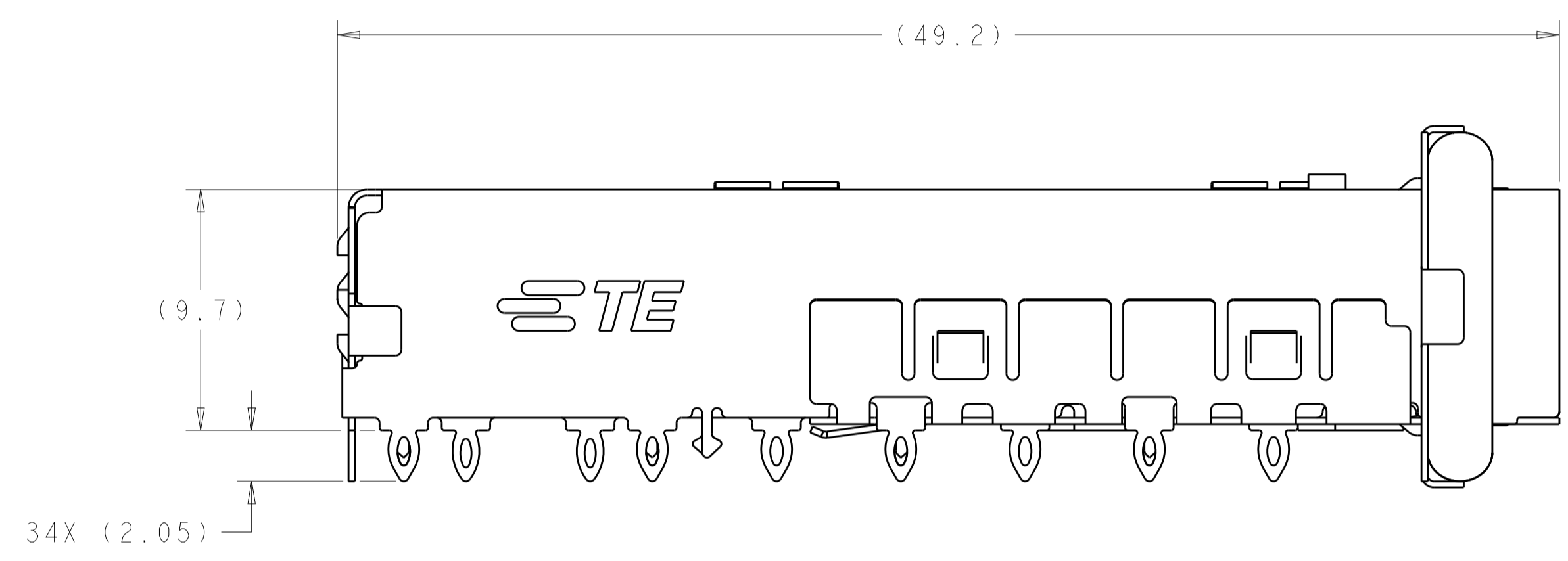


LOC		DIST		REVISIONS			
GP	00	P	LTN	DESCRIPTION	DATE	DWN	APVD
		A		RELEASED PER ECO-12-013192	16OCT2012	BMM	MRS
		B		REVISED PER ECO-13-003777	19MAR2013	CJV	MRS



- 1 MATERIAL:
 CAGE ASSEMBLY: NICKEL SILVER ALLOY
 GASKET RETENTION PLATE: STAINLESS STEEL
 EMI GASKET: PLATED FILLED SILICONE
- 2 MINIMUM PC BOARD THICKNESS:
 SINGLE SIDED = 1.50mm
- 3 PADS AND VIAS CHASSIS GROUND.
- 4 DATUM AND BASIC DIMENSION ESTABLISHED BY CUSTOMER.
- 5 MATES WITH SFP MSA COMPLIANT TRANSCEIVERS.
- 6 INTERPRETATION OF DATUM REFERENCE FRAME IN ACCORDANCE WITH SECT 4.4.1.1 OF ASME Y14.5M-1994.
- 7 REFERENCE APPLICATION SPEC. 114-13120, HOLE A, FOR RECOMMENDED DRILL HOLE DIAMETER AND PLATING THICKNESS.
- 8 REFERENCE APPLICATION SPEC. 114-13120, HOLE B, FOR RECOMMENDED DRILL HOLE DIAMETER AND PLATING THICKNESS.
- 9 HOLE PATTERN REPEATS FOR EACH PORT. SPACING BETWEEN PORTS IS 14.25mm.



RECOMMENDED BEZEL CUT-OUT
 SINGLE SIDED APPLICATIONS
 SCALE 3:1

2169260-1
 MOUNTED ON PC BOARD
 SHOWN THRU RECOMMENDED BEZEL

2180463-1
 PART
 NUMBER

THIS DRAWING IS A CONTROLLED DOCUMENT. DIMENSIONING AND TOLERANCING PER ASME Y14.5M-2009.		DWN B. MATTHEWS 18MAR2011	TE Connectivity	
TOLERANCES UNLESS OTHERWISE SPECIFIED:		CHK M. SCHMITT 18MAR2011		
DIMENSIONS:	mm	APVD M. SCHMITT 18MAR2011	NAME	
0 PLC	±0.1	PRODUCT SPEC		SFP+ ENHANCED 1X4 CAGE ASSEMBLY, PRESS FIT
1 PLC	±0.1	108-2364		
2 PLC	±0.1	APPLICATION SPEC		
3 PLC	±0.1	114-13120		
4 PLC	±0.1	WEIGHT		RESTRICTED TO
ANGLES	±1°	Customer Drawing		SCALE 5:1 SHEET 1 OF 2 REV B

单击下面可查看定价，库存，交付和生命周期等信息

[>>TE Connectivity\(泰科\)](#)