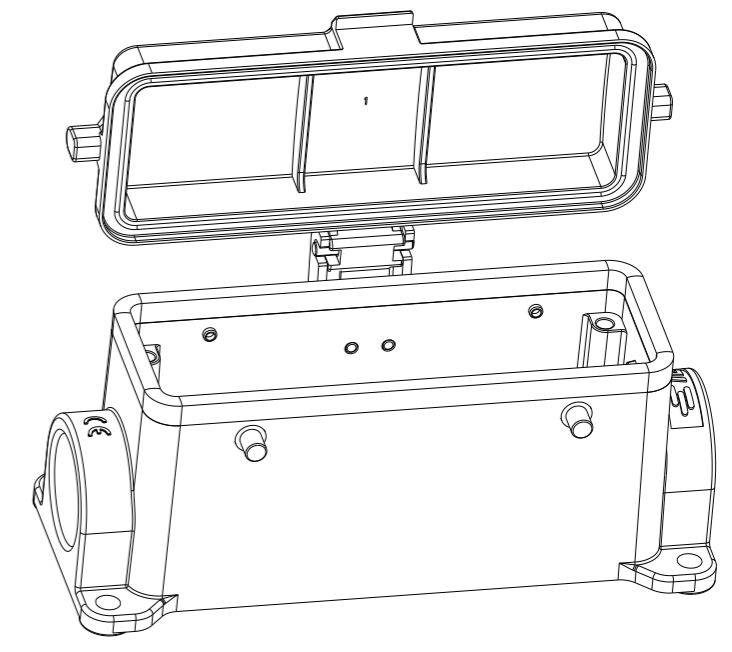
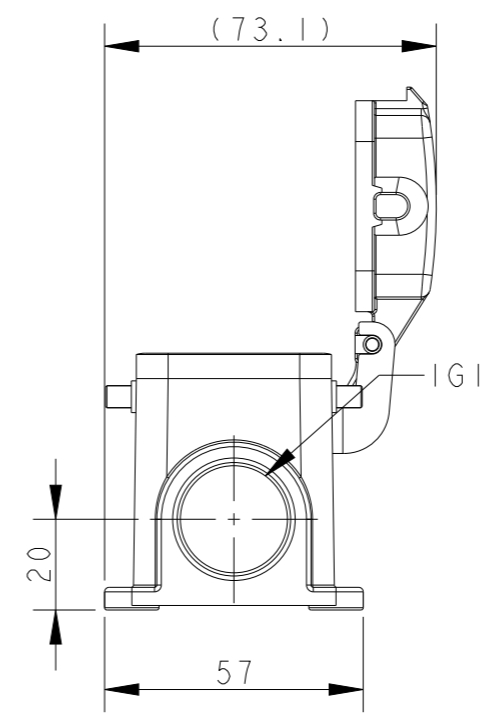
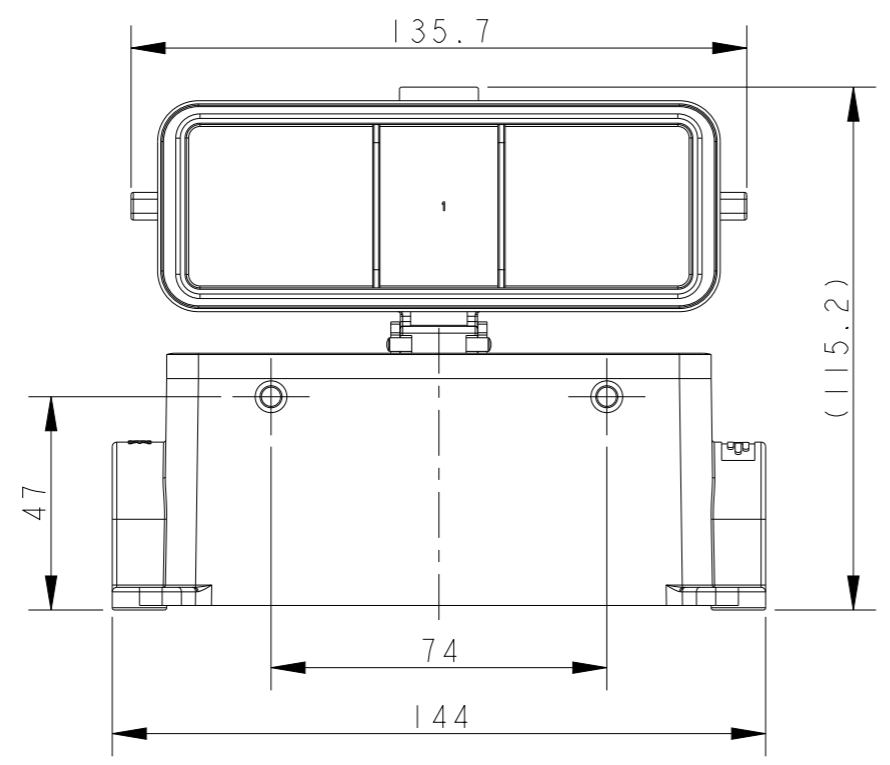
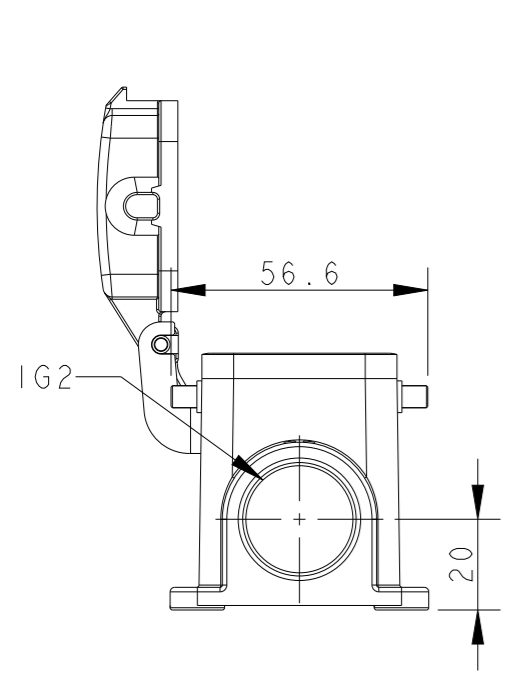
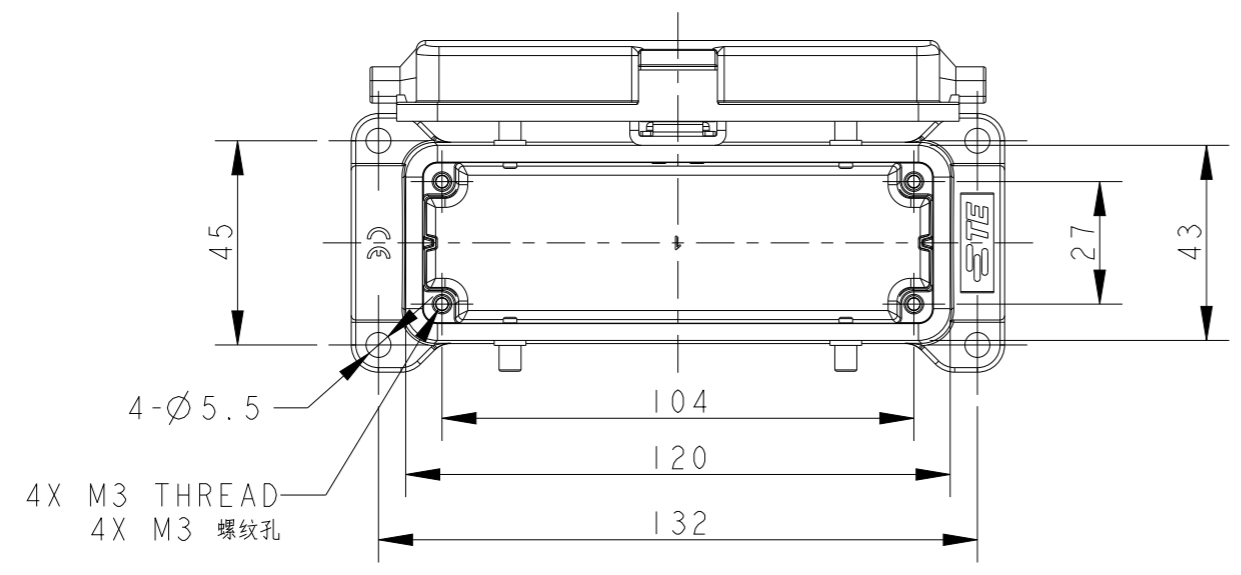


THIS DRAWING IS UNPUBLISHED. RELEASED FOR PUBLICATION 20
 © COPYRIGHT 20 BY - ALL RIGHTS RESERVED.

REVISIONS					
P	LTR	DESCRIPTION	DATE	DWN	APVD
	A	INITIAL RELEASE	17JUN2015	DL	CW
	B	ECR-20-014876	21JUL2021	WQR	CW



TYPE I: BODY + PLASTIC PROTECTITON COVER

T1460240121-000	TYPE I	H24B-SDR-BO-PG21	PG21	-
T1460240125-000		H24B-SDR-BO-M25	M25	-
T1460240221-000		H24B-SDR-BO-2PG21	PG21	PG21
T1460240225-000		H24B-SDR-BO-2M25	M25	M25
ASSEMBLY PART NUMBER	TYPE	ASSEMBLY PART DESCRIPTION	IG1	IG2

NOTES:
 1. TECHNICAL CHARACTERISTICS:
 BODY MATERIAL: DIE CAST ALUMINIUM ALLOY
 SURFACE TREATMENT: POWDER-COATED, GRAY
 DEGREE OF PROTECTION: IP65 (MATED)

注释:
 1. 技术参数:
 主体材料: 铝合金
 表面处理: 粉末喷涂, 灰色
 防护等级: IP65(配合)

THIS DRAWING IS A CONTROLLED DOCUMENT.		DWN	17JUN2015	TE Connectivity	
DIMENSIONS: mm		DAVID LI	17JUN2015		
TOLERANCES UNLESS OTHERWISE SPECIFIED:		CHK	CHRIS WANG		
0 PLC ±- 1 PLC ±- 2 PLC ±- 3 PLC ±- 4 PLC ±- ANGLES ±- FINISH ±-		APVD	XU XIANG		
MATERIAL		PRODUCT SPEC	108-137013	NAME	
		APPLICATION SPEC	114-137013	H24B-SDR-BO-PG/M	
		WEIGHT	-	SIZE	A3
		CUSTOMER DRAWING		CAGE CODE	-
				DRAWING NO	©-T146024XXXX000
				RESTRICTED TO	
				SCALE	3:5
				SHEET	1 OF 2
				REV	B

4

3

2

1

THIS DRAWING IS UNPUBLISHED.

RELEASED FOR PUBLICATION

20

© COPYRIGHT 20 BY -

ALL RIGHTS RESERVED.

REVISIONS

P	LTR	DESCRIPTION	DATE	DWN	APVD
	-	SEE SHEET 1	-	-	-

TYPE 2: BODY + METAL PROTECITON COVER
OTHER SPEC REFER TO TYPE 1

T1460241121-000	TYPE 2	H24B-SGRM-BO-PG21	PG21	-
T1460241125-000		H24B-SGRM-BO-M25	M25	-
T1460241221-000		H24B-SGRM-BO-2PG21	PG21	PG21
T1460241225-000		H24B-SGRM-BO-2M25	M25	M25
ASSEMBLY PART NUMBER	TYPE	ASSEMBLY PART DESCRIPTION	IG1	IG2

THIS DRAWING IS A CONTROLLED DOCUMENT.

DWN 17JUN2015

DAVID LI

CHK 17JUN2015

CHRIS WANG

APVD 17JUN2015

XU XIANG

PRODUCT SPEC

108-137013

APPLICATION SPEC

114-137013

WEIGHT

-

CUSTOMER DRAWING

TE Connectivity

NAME
H24B-SGRM-BO-PG/M

SIZE	CAGE CODE	DRAWING NO	RESTRICTED TO
A3	-	©-T146024XXXX000	

SCALE	SHEET	OF	REV
3:5	2	2	B

DIMENSIONS:

mm

TOLERANCES UNLESS OTHERWISE SPECIFIED:

0 PLC	±-
1 PLC	±-
2 PLC	±-
3 PLC	±-
4 PLC	±-
ANGLES	±-
FINISH	-

MATERIAL

-

1470-19 (3/13)

Downloaded From Onevac.com

单击下面可查看定价，库存，交付和生命周期等信息

[>>TE Connectivity\(泰科\)](#)