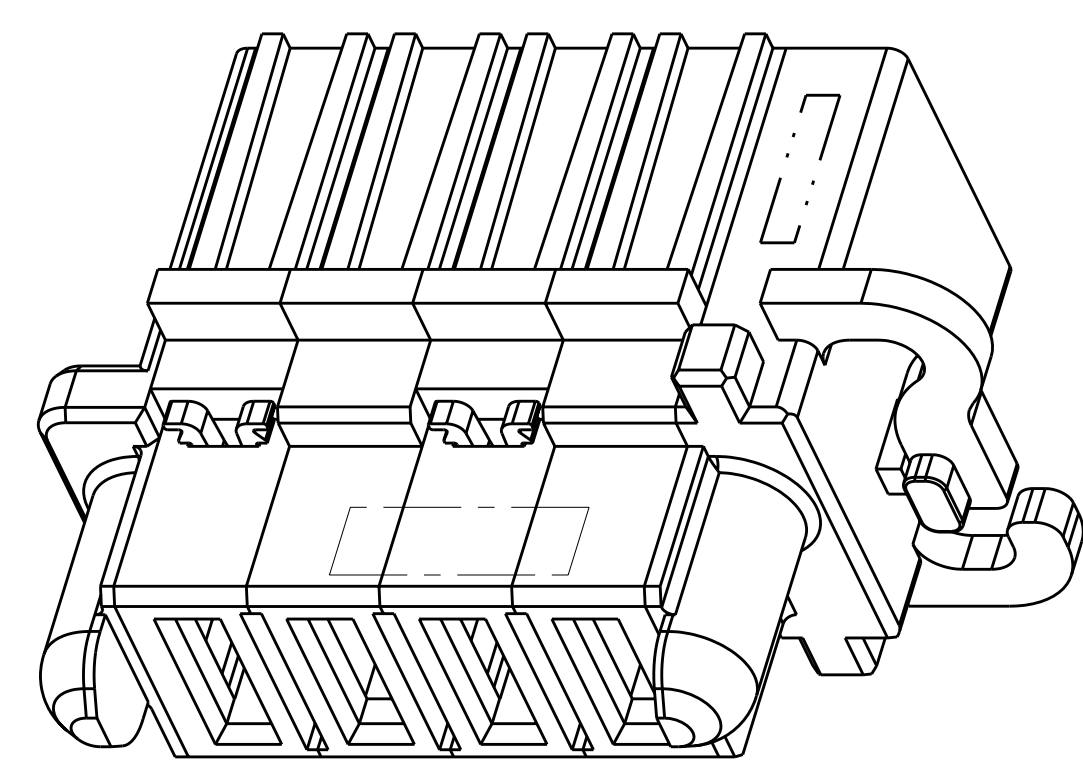
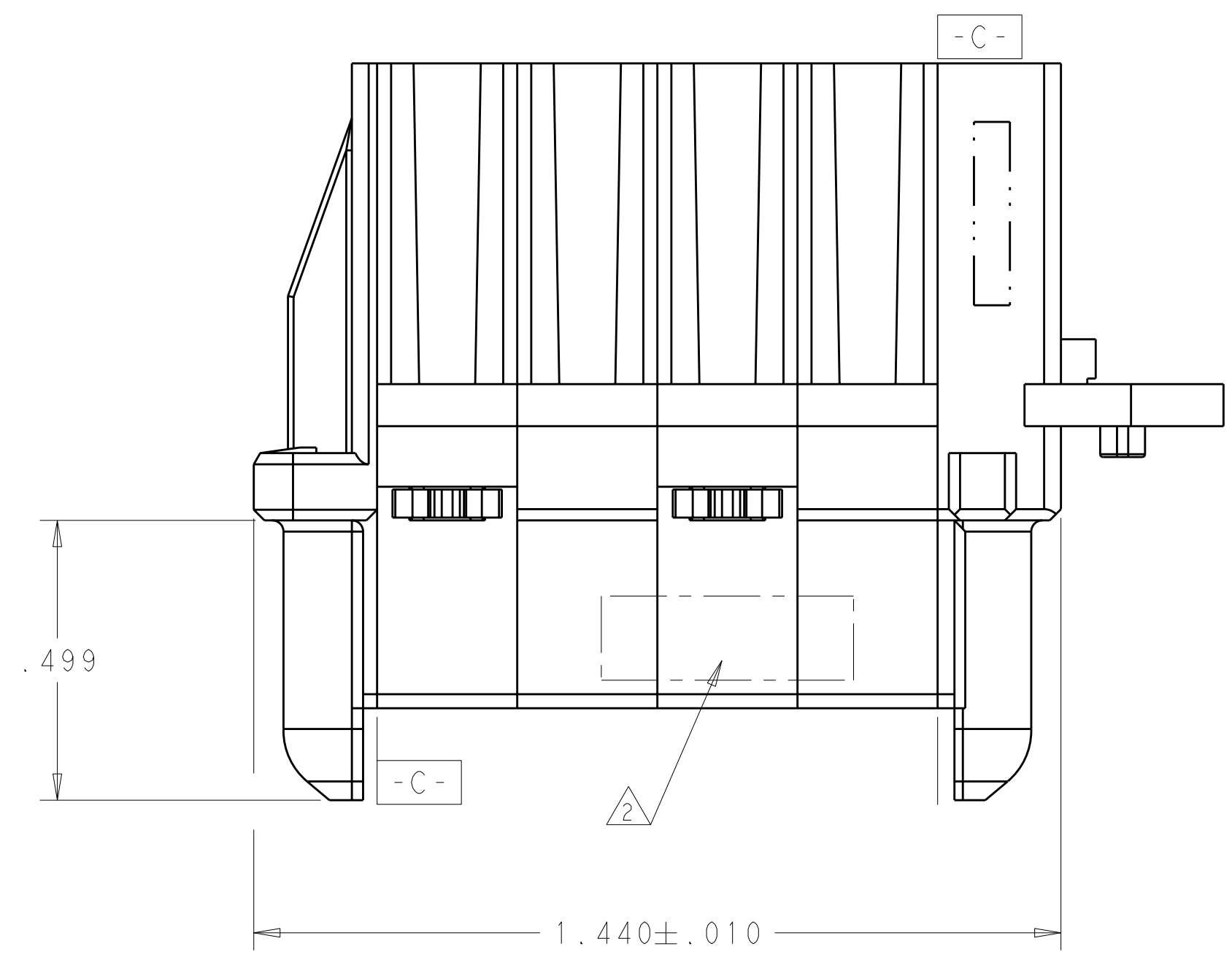


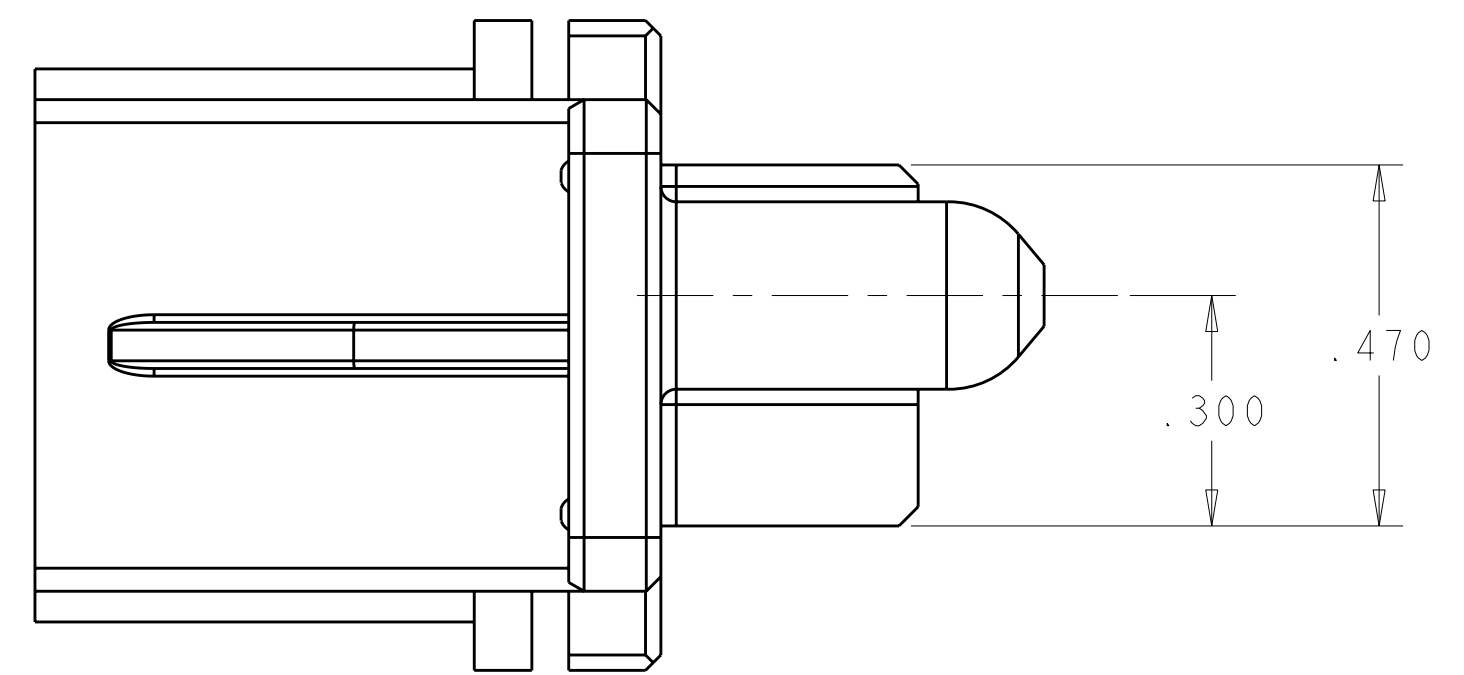
LOC	DIST	REV	DATE	BY	APP'D
ES	00	1	12MAR2010	IL	SY
		A	18MAR2010	IL	SY



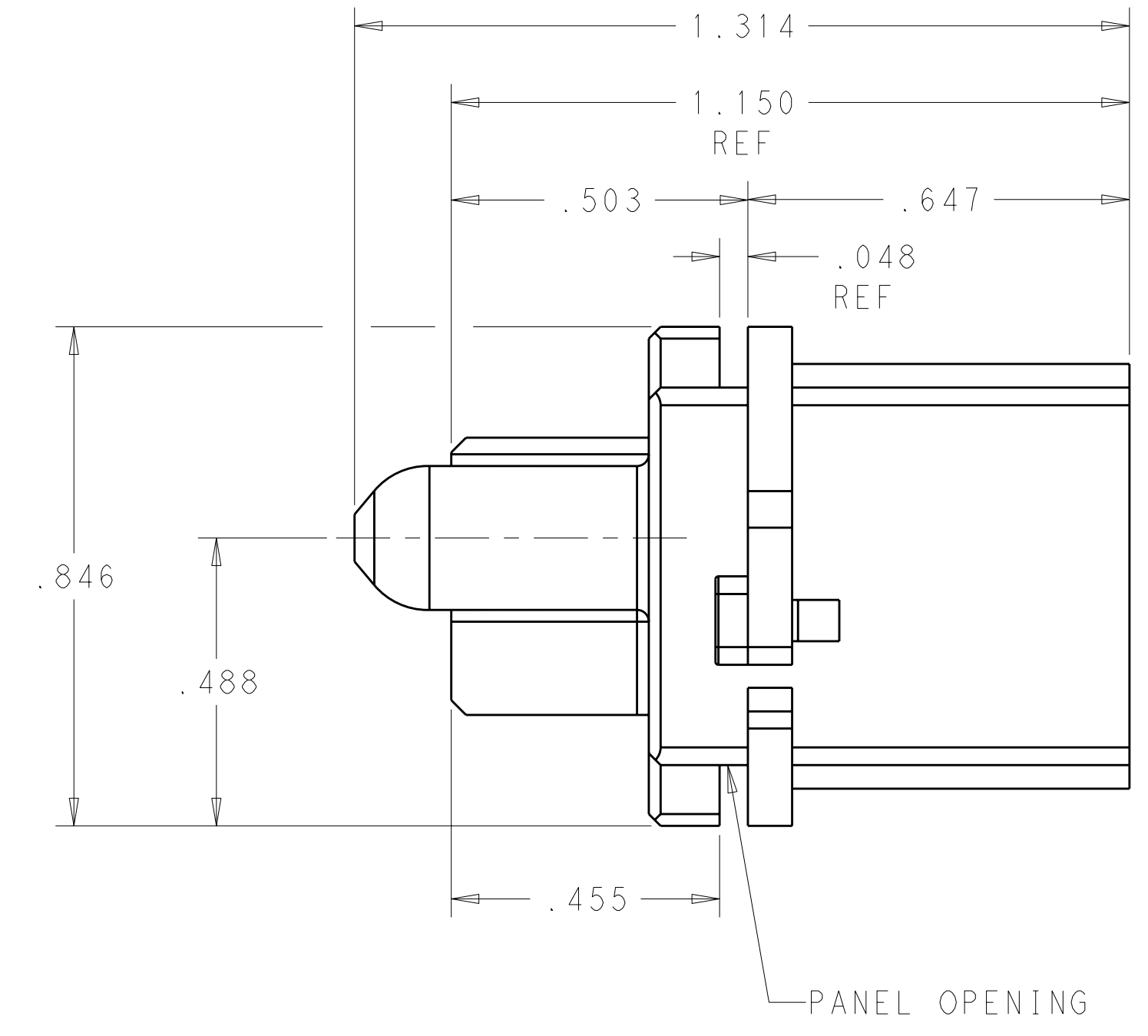
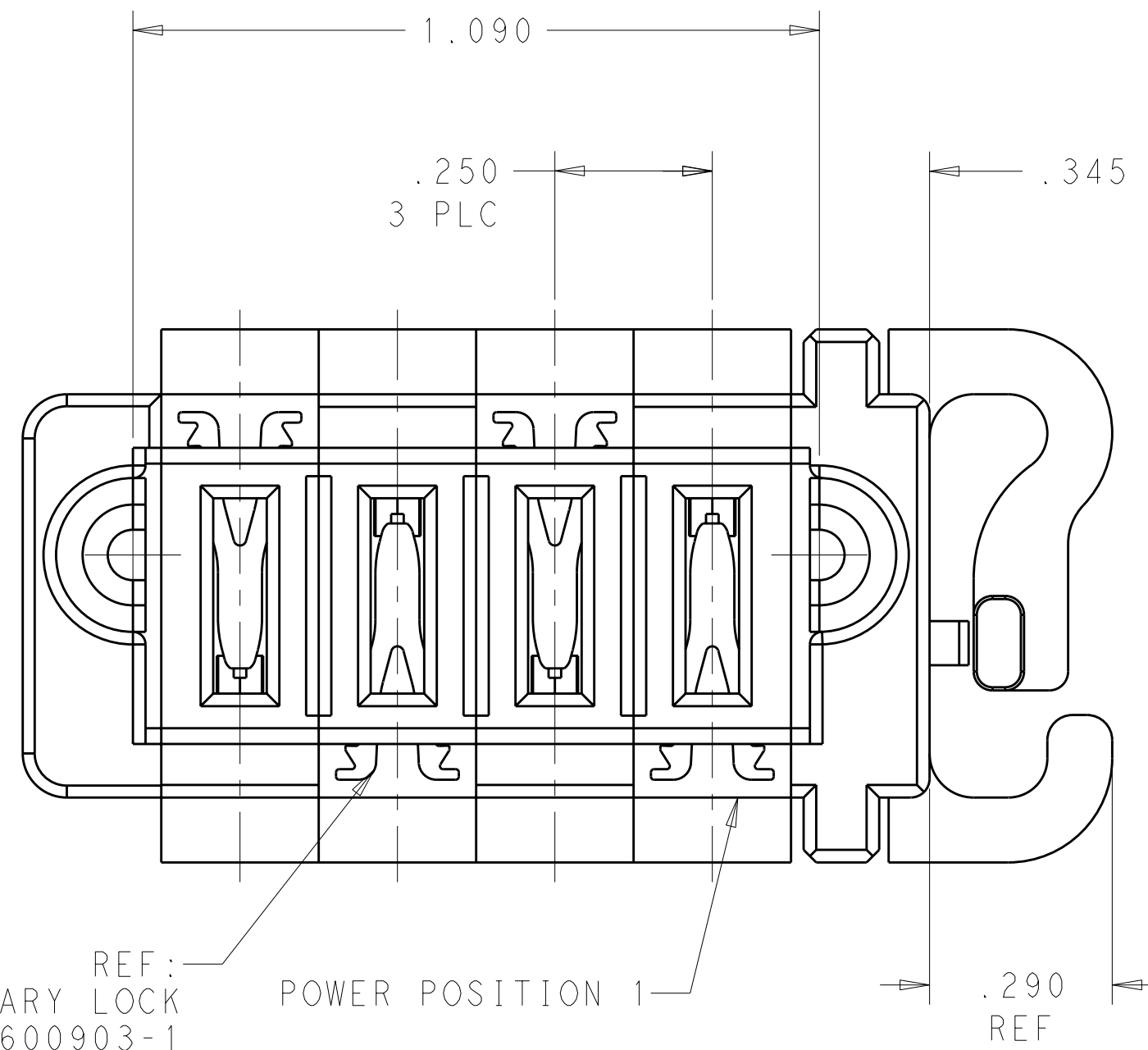
ISOMETRIC VIEW



- ⚠ MATERIAL: THERMO PLASTIC, UL94 V-0.
- ⚠ COMPANY TRADEMARK, PART NUMBER, AND DATE CODE TO BE MARKED IN AREA SHOWN.
- ⚠ PANEL THICKNESS = .040±.005
- ⚠ CONNECTOR KEEP OUT ZONE.
- ⚠ POWER CONTACT REFERENCE:  
 PART NUMBER: 1600960 & 1600961  
 MATERIAL: COPPER ALLOY  
 FINISH (INTERFACE): .0000030 Au OVER .0000050 Ni



REF: POWER SECONDARY LOCK  
 PART NUMBER: 1600903-1



4P	1892981-1
DESCRIPTION	PART NUMBER

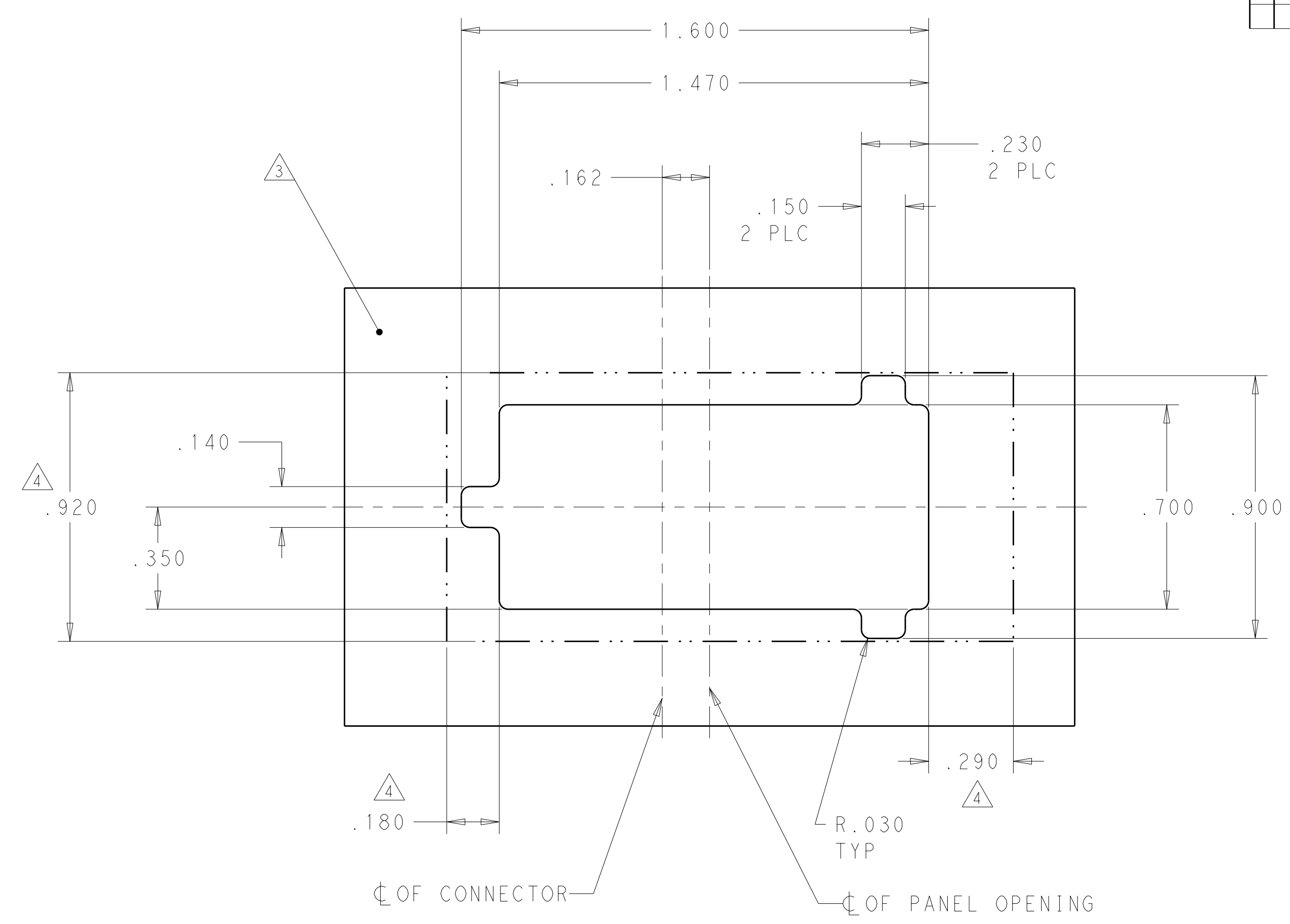
<small>THE INFORMATION CONTAINED HEREIN IS UNCLASSIFIED EXCEPT WHERE SHOWN OTHERWISE. IT IS SUBJECT TO CHANGE WITHOUT NOTICE AND WITHOUT LIABILITY. CONTACT THE ORIGINAL SOURCE FOR THE LATEST REVISION.</small>		DWN: L.LEE 12MAR2010 CHK: S.ZHAO 12MAR2010 APP'D: S.YAO 12MAR2010	Tyco Electronics Corporation Shanghai, P.R.China, 200233
DIMENSIONS: INCHES 	TOLERANCES UNLESS OTHERWISE SPECIFIED: 9 PLC ±. 7 PLC ±. 5 PLC ±. 4 PLC ±.0020 ANGLES ±.0020 FINISH ±.0020	NAME: S.LEE PRODUCT SPEC: APPLICATION SPEC: WEIGHT: CUSTOMER DRAWING	NAME: SLIDE TO LOCK PANEL MOUNT CABLE RECEPTACLE HOUSING WITH SLIM GUIDES, MULTI-BEAM XLE SIZE: A100779 CAGE CODE: C=1892981 SCALE: 4:1 SHEET: 1 OF 2 REV: A

LOC	DIST	REV	DATE	BY	APPD
ES	00				

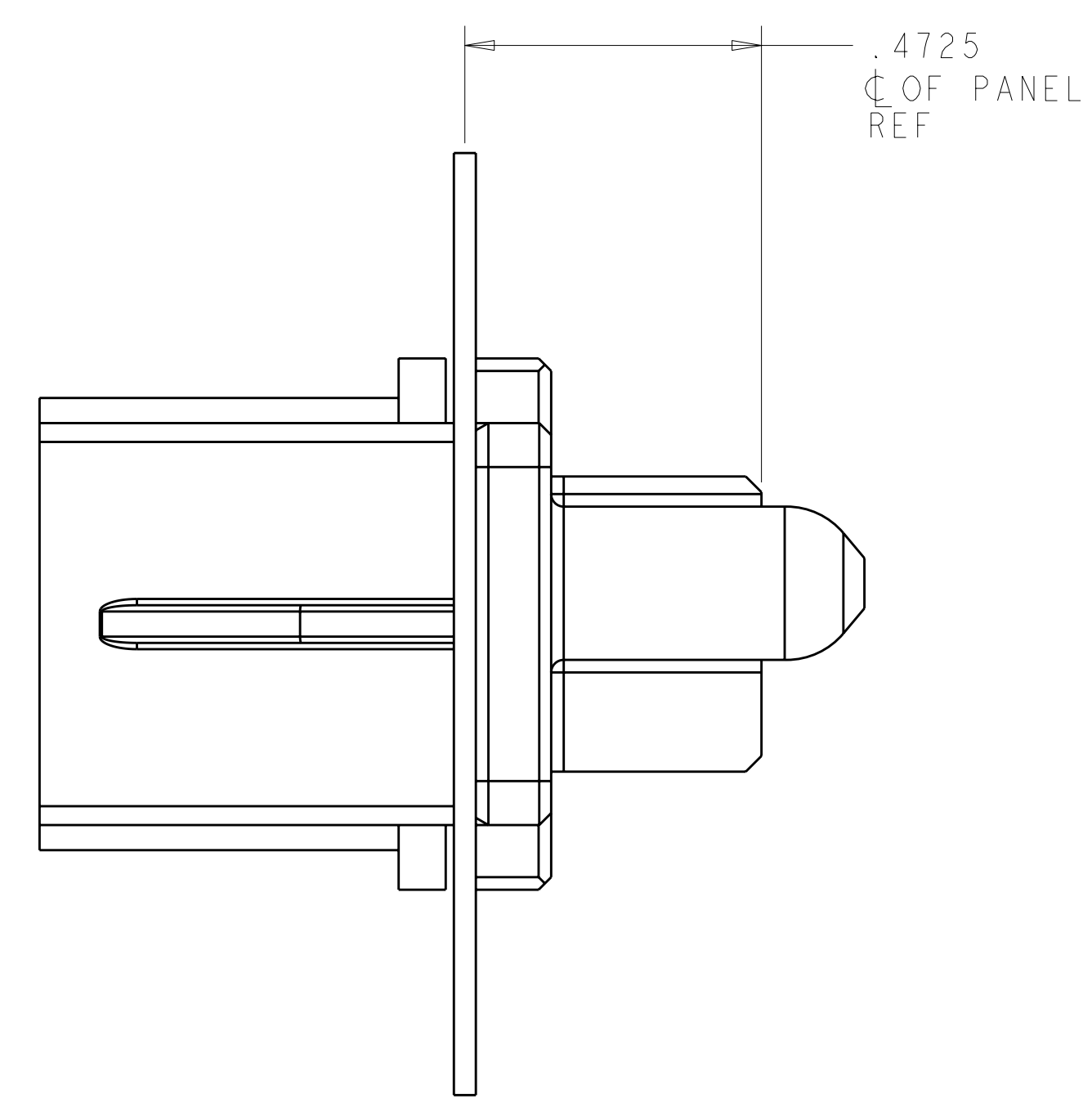
  

REVISIONS			
NO.	DESCRIPTION	DATE	BY
1	SEE SHEET 1	-	-

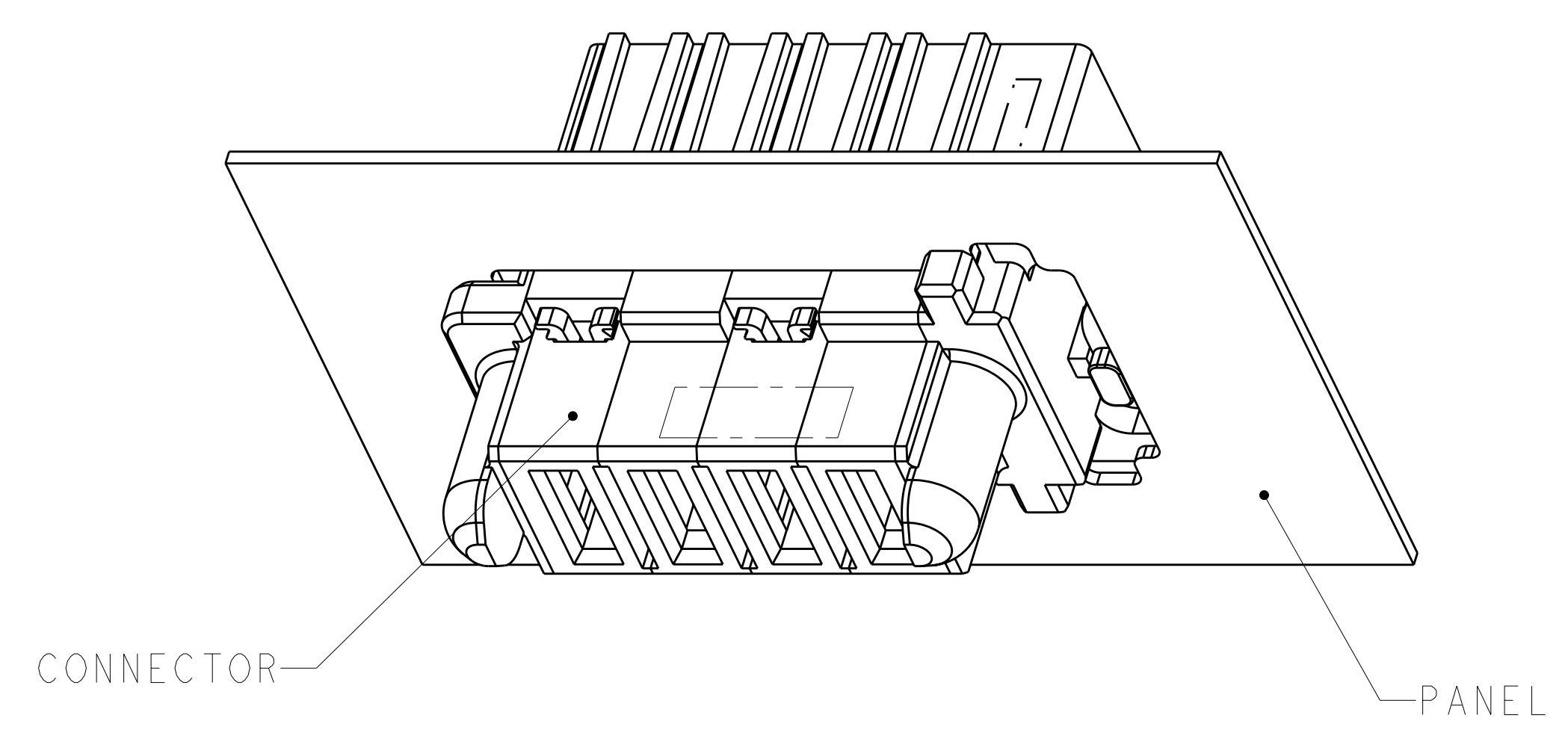
PART NUMBER	POWER			
	P4	P3	P2	P1
1892981-1	RA	RA	RA	RA
4P				



# PANEL LAYOUT



SCALE 4:1



RM	STANDARD POWER CONTACT
RA	MFBL POWER CONTACT
CODE	DESCRIPTION
CONTACT TABLE	

DIMENSIONS: INCHES TOLERANCES UNLESS OTHERWISE SPECIFIED: 0 PLC ± 1 PLC ± 2 PLC ± 3 PLC ±.005 4 PLC ±.0020 ANGLES ±2° FINISH		DWN L LEE 12MAR2010 CHK S. ZHAO 12MAR2010 APVD S. YAO 12MAR2010	Tyco Electronics Corporation Shanghai, P.R.China, 200233
MATERIAL: - FINISH: -		NAME: SLIDE TO LOCK PANEL MOUNT CABLE RECEPTACLE HOUSING WITH SLIM GUIDES, MULTI-BEAM XLE PRODUCT SPEC: - APPLICATION SPEC: -	SIZE: A100779 CAGE CODE: C=1892981 DRAWING NO: - RESTRICTED TO: -
CUSTOMER DRAWING		SCALE 4:1	SHEET 2 OF 2 REV A

单击下面可查看定价，库存，交付和生命周期等信息

[>>TE Connectivity\(泰科\)](#)