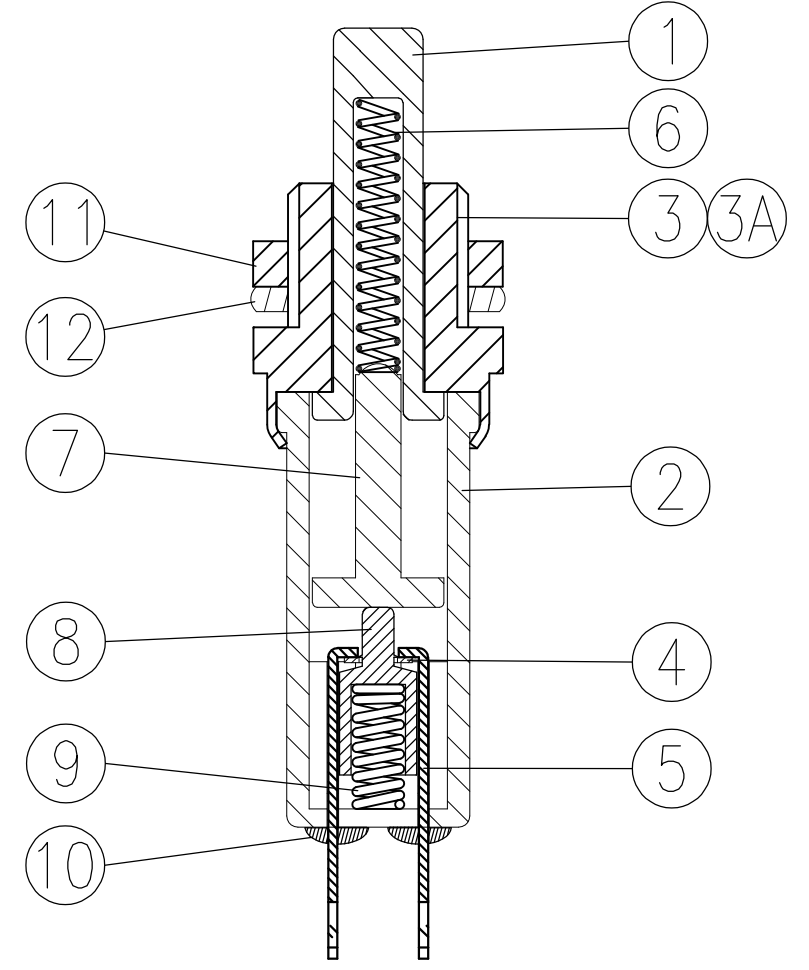


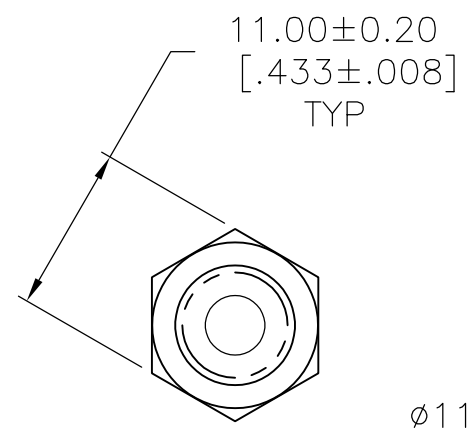
THIS DRAWING IS UNPUBLISHED. RELEASED FOR PUBLICATION
 © COPYRIGHT - By - ALL RIGHTS RESERVED.

LOC		DIST		REVISIONS			
P	LTR	DESCRIPTION	DATE	DWN	APVD		
B		REVISED PER ECO-14-015934	27OCT2014	NK	RH		

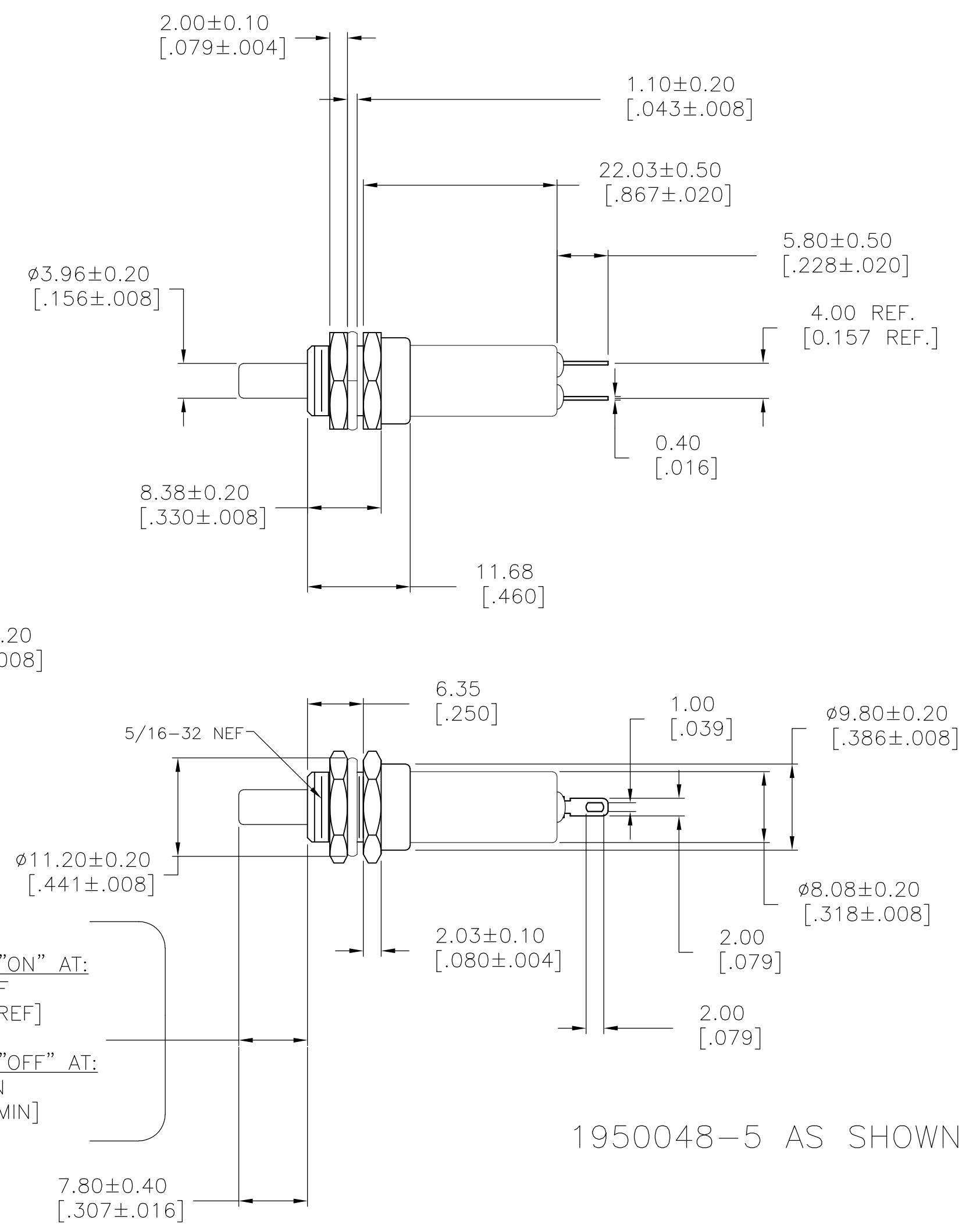
- 1 RATING: 1-3A 12VDC
CIRCUIT TYPE: 2P SPST N.C., ON-(OFF), PUSH TO SWITCH OFF
PLUNGER FULL TRAVEL: 7.80 ± 0.30 [$.307 \pm 0.012$], PLUNGER (ITEM#1) MUST TRAVEL BELOW THE TOP SURFACE OF THE THREADED BUSHING (ITEM#3)
- 2 ALL MATERIALS ARE ROHS COMPLIANT PER TE SPEC 230-702.
- 3 RECOMMENDED MOUNTING HOLE DIA.: $\varnothing 8.00 \pm 0.20$ [$\varnothing 0.315 \pm 0.008$], THICKNESS: 1.00-2.70 [$.039$ -.106],
- 4 SWITCHES ARE SUPPLIED WITH MOUNTING HARDWARE.
- 5 TORQUE FOR MOUNTING HARDWARE 7 INCH POUNDS MAX.



No.	Item name	Base material	Plating
1	Plunger	PA66, UL94-V2, White	None
2	Frame	PBT, UL94-V2, Black	None
3	Bushing (5/16-32NEF)	Copper Alloy	Nickel Plated
3A	Bushing (5/16-32NEF)	Zinc	Nickel Plated
4	Contact (Moving)	Copper Alloy	Silver Plated
5	Terminal (Fixed) Qty:2	Copper Alloy	Silver Plated
6	Spring (Plunger)	Stainless Steel	None
7	Insulator	PA6/66, UL94 V0	None
8	Actuator	PBT, UL94-V2	None
9	Spring (Actuator)	Stainless Steel	None
10	Sealant	Epoxy, Blue	None
11	HEX NUT (5/16-32NEF)	BRASS (JISC36002BE)	Nickel Plated
12	LOCK WASHER ON	STEEL (SWC)	Nickel Plated



1 SWITCH "ON" AT:
7.80 REF [.307 REF]
SWITCH "OFF" AT:
6.20 MIN [.244 MIN]



TEST OR EXAMINATION	REQUIREMENT	TEST STANDARD	Test Group					
			1	2	3	4	5	6
Initial Examination of Product	Meets drawing requirements	Drawing	1	1	1	1	1	1
Initial Termination Resistance	50 milliohms max.	EIA 364-23B	2	2				
Insulation Resistance	100 megohms min.	EIA 364-21C				2		
Dielectric Withstanding Voltage	1,000 VAC	EIA 364-20B, Condition 1	6			3		
Electrical Overload Cycling	50 cycles at 4.5A, 12VDC	EIA RS 448, Method 7	3					
Electrical Endurance Cycling	6,000 cycles at 3A, 12VDC	EIA RS 448, Method 8	4					
Temperature Rise vs Current	30°C max temperature rise from ambient	EIA RS 448, Method 6	5					
Mechanical Endurance Cycling	10,000 cycles, No physical damage	EIA RS 448, Method 9		5				
Plunger Travel	"NOTE 1" (Switch OFF at 6.20mm min)	Verify ON / OFF operating range.		3				
Actuation Force	800-1100 grams	"NOTE 1" (Switch OFF at 6.20mm min.) Measure force with Plunger at Full Travel		4,6				
Low Temperature Cycling	10,000 cycles. No physical damage	EIA 448, Method 10, 10,000 cycles at -20C					2	
High Temperature Cycling	10,000 cycles. No physical damage	EIA 448, Method 10, 10,000 cycles at +65C						2
Termination Solderability	Pass/fail per EIA 364-52 (95% min coverage)	EIA 364-52, Class 2, Category 1			2			
Resistance to Solder Heat (terminal)	No physical damage	EIA 364-56A, procedure 2				4		
Final Examination of Product	Meets drawing requirements	Drawing	7	7	3	5	3	3

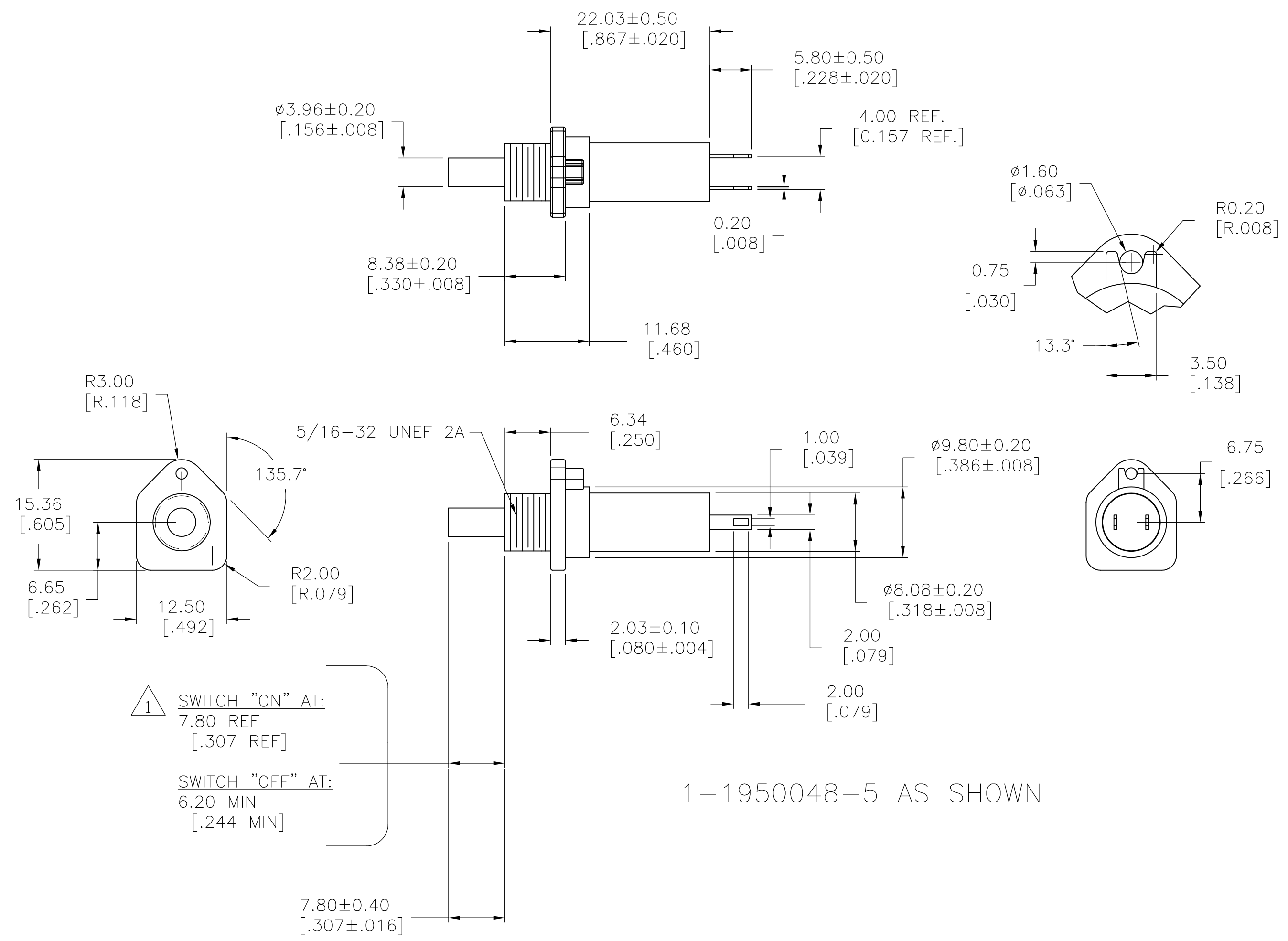
** 6 Samples required for each group.

SUPERSEDED BY 1950048-5	3A	1-1950048-5
	3	1950048-5
	BUSHING TYPE "SEE BILL OF MATERIAL"	PART NUMBER

THIS DRAWING IS A CONTROLLED DOCUMENT. DWN S. GOOD 21SEP2006
 DIMENSIONS: mm [INCHES] TOLERANCES UNLESS OTHERWISE SPECIFIED:
 0 PLC ± -
 1 PLC ± -
 2 PLC ± 0.25 [.010]
 3 PLC ± -
 4 PLC ± -
 ANGLES ± 1
 MATERIAL SEE DWG 2 FINISH SEE DWG 2
 PRODUCT SPEC SEE DWG
 APPLICATION SPEC
 NAME
 TE Connectivity
 EXTENDED TRAVEL PUSHBUTTON
 SIZE A2 CAGE CODE 00779 DRAWING NO. C=1950048 RESTRICTED TO
 WEIGHT CUSTOMER DRAWING SCALE 2:1 SHEET 1 OF 2 REV B

THIS DRAWING IS UNPUBLISHED. RELEASED FOR PUBLICATION
 © COPYRIGHT - By - ALL RIGHTS RESERVED.

LOC		DIST		REVISIONS			
P	LTR	DESCRIPTION	DATE	DWN	APVD		
-	-	SEE SHEET 1	-	-	-		



1-1950048-5 AS SHOWN

THIS DRAWING IS A CONTROLLED DOCUMENT.		DWN S. GOOD	21SEP2006	STE TE Connectivity	
DIMENSIONS: mm [INCHES]		CHK -	APVD -	NAME	
TOLERANCES UNLESS OTHERWISE SPECIFIED: 0 PLC ± - 1 PLC ± - 2 PLC ± 0.25[.010] 3 PLC ± - 4 PLC ± - ANGLES ± 1		PRODUCT SPEC SEE DWG		EXTENDED TRAVEL PUSHBUTTON	
MATERIAL SEE DWG		FINISH SEE DWG		SIZE A2	CAGE CODE 00779
		WEIGHT -		DRAWING NO C=1950048	RESTRICTED TO -
CUSTOMER DRAWING				SCALE 2:1	SHEET 2 OF 2
				REV B	

单击下面可查看定价，库存，交付和生命周期等信息

[>>TE Connectivity\(泰科\)](#)