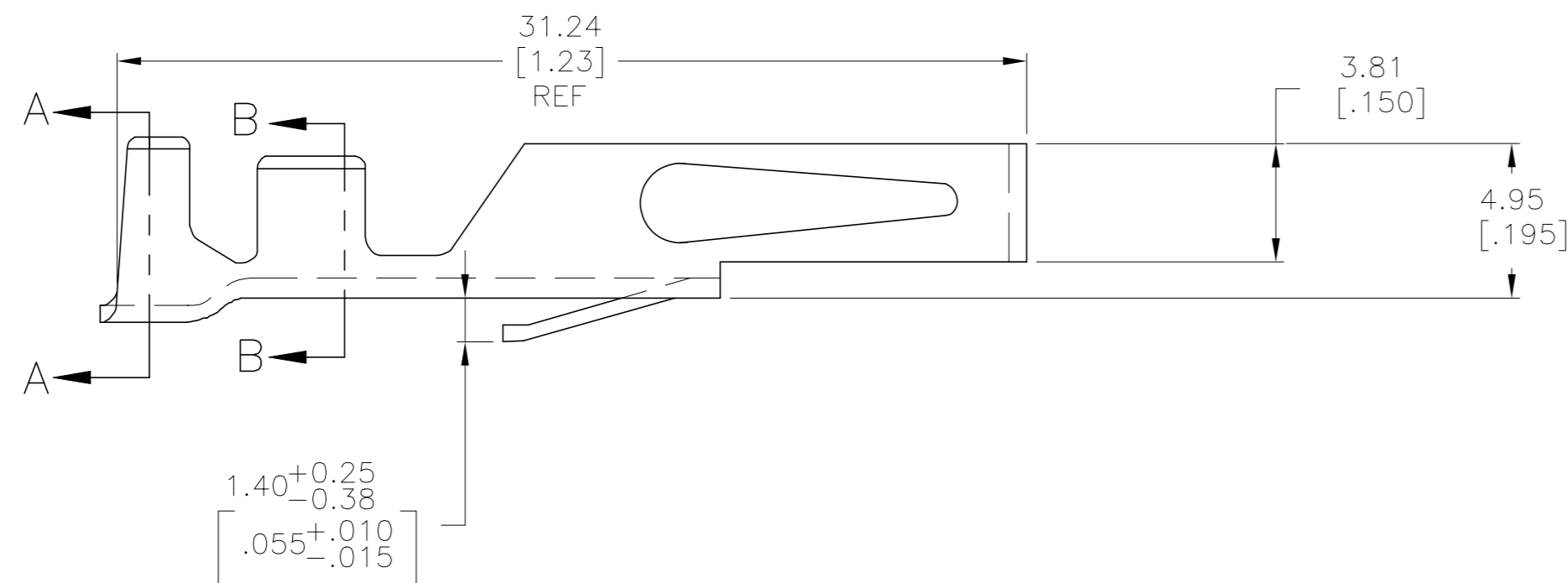
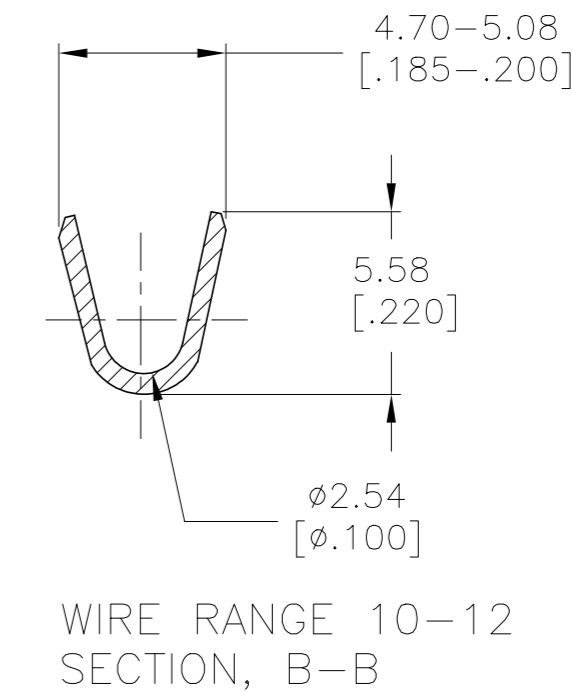
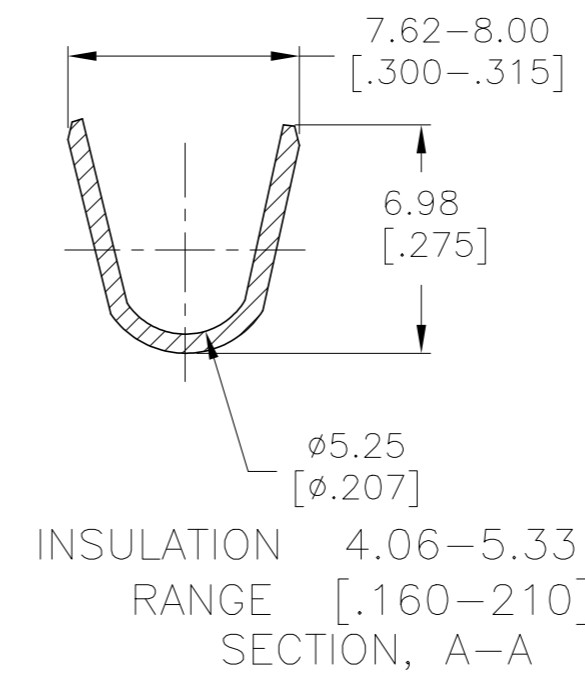
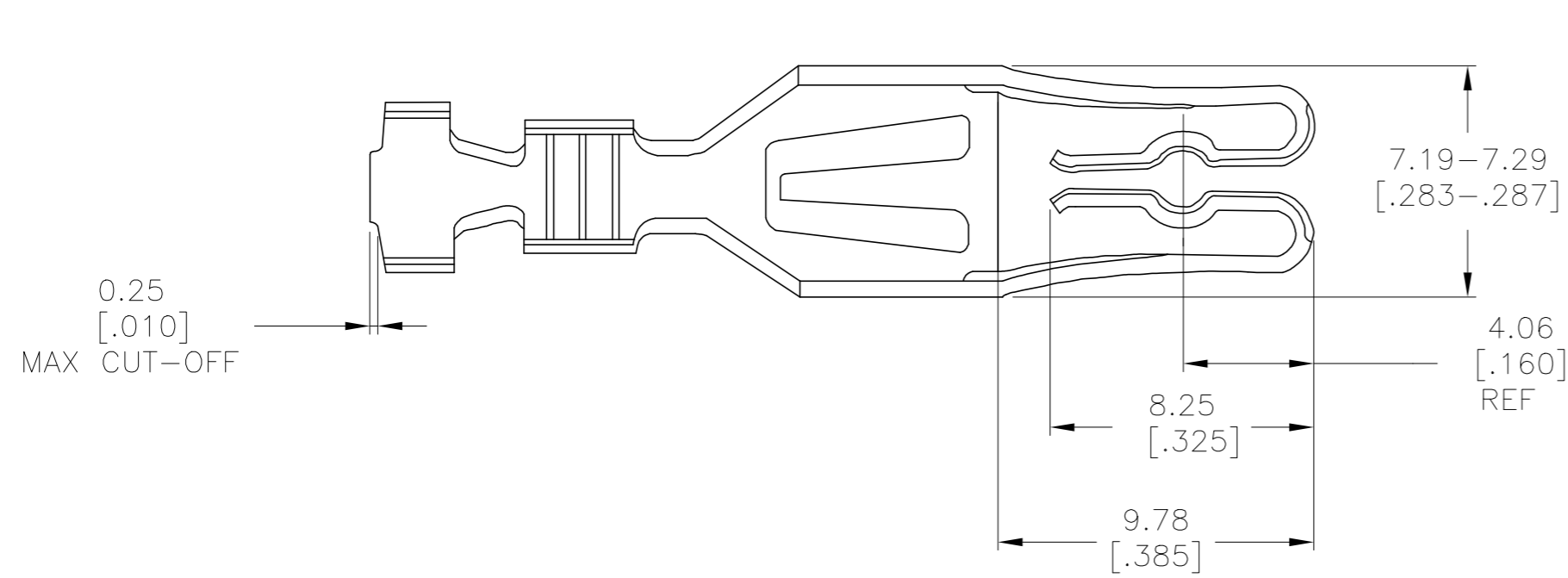


THIS DRAWING IS UNPUBLISHED. RELEASED FOR PUBLICATION  
 © COPYRIGHT - By - ALL RIGHTS RESERVED.

REVISIONS					
P	LTR	DESCRIPTION	DATE	DWN	APVD
	F	REVISED PER ECO-16-006308	08AUG2016	NK	MM
	F1	REVISED PER ECO-19-019022	18DEC2019	RS	JO



- 1 0.0038 (.000150) MIN BRIGHT TIN-LEAD OVER 0.00076 (.000030) MIN NICKEL.
- 2 0.0038 (.000150) MIN MATTE TIN OVER 0.00076 (.000030) MIN NICKEL.

2	5-530520-1
1	530520-1
FINISH	PART NO

THIS DRAWING IS A CONTROLLED DOCUMENT.		DWN 15 MAY 75	TE Connectivity		
DIMENSIONS: mm [INCHES]		CHK 15 MAY 75			
TOLERANCES UNLESS OTHERWISE SPECIFIED:		APVD 16 MAY 75	NAME		
0 PLC ± -		PRODUCT SPEC			
1 PLC ± -		APPLICATION SPEC			
2 PLC ± -		WEIGHT			
3 PLC ± .005		SIZE CAGE CODE DRAWING NO RESTRICTED TO			
4 PLC ± -		A2 00779 C=530520			
ANGLES ± -		CUSTOMER DRAWING SCALE 5:1 SHEET 1 of 1 REV F1			
MATERIAL ALLOY CDA-194		FINISH 1 2			

单击下面可查看定价，库存，交付和生命周期等信息

[>>TE Connectivity\(泰科\)](#)