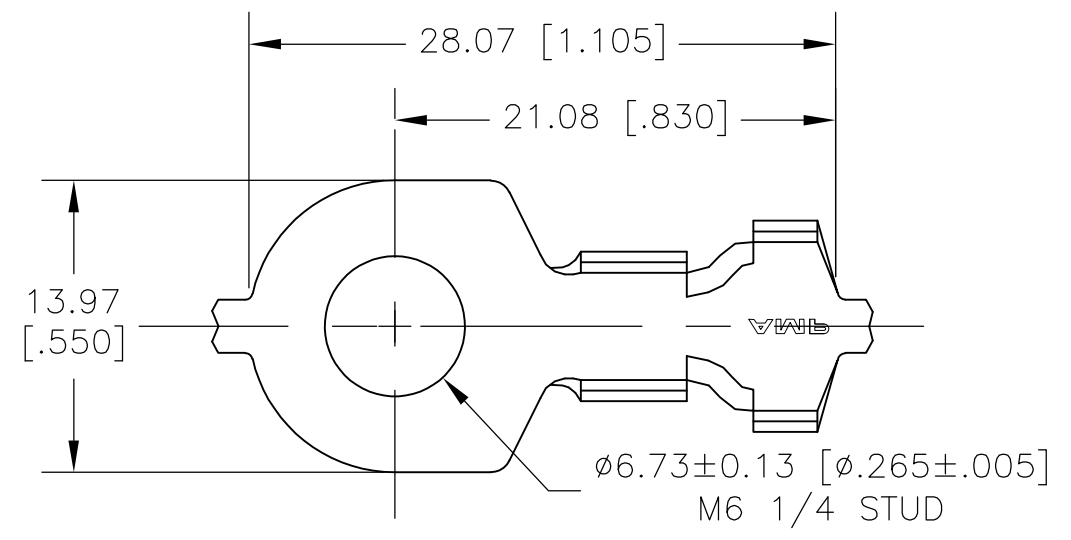
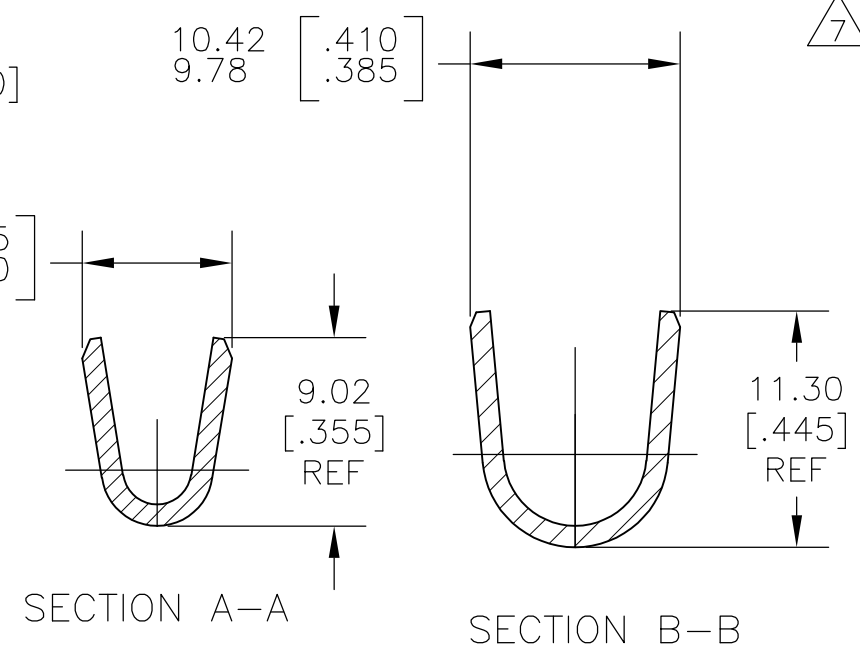
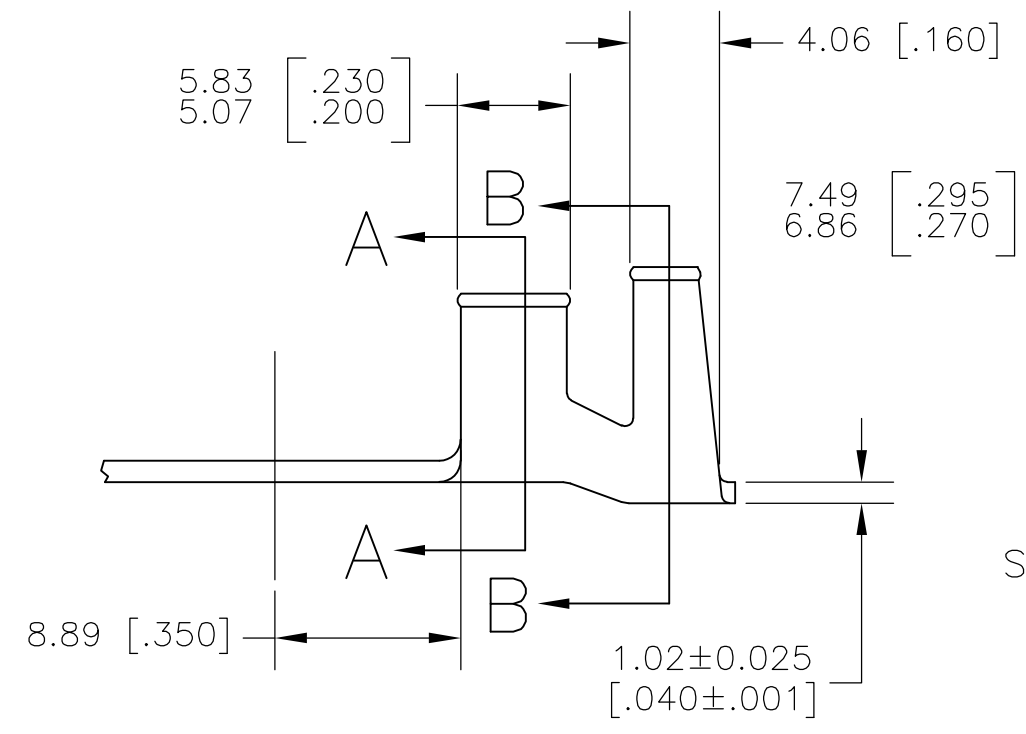


LOC	DIST	REVISIONS					
AF	50	P	LTR	DESCRIPTION	DATE	DWN	APVD
			R	REVISED PER ECR-10-006099	07JUL10	HMR	PD



1. CONTINUOUS STRIP ON REELS.
3. WIRE SIZE IS [10-6] AWG.
4. INSULATION RANGE IS 5.59-8.00 [.220-.315] DIA
5. SPECIAL REELING FOR FOREIGN PRODUCTION ONLY.
6. PRILIMINARY - NOT FOR PRODUCTION.
7. SPECIAL PACKAGING.



6/7	TIN	42899-4
	TIN	5 42899-3
	TIN	42899-2
	NONE	42899-1
	FINISH	PART NO.

THIS DRAWING IS A CONTROLLED DOCUMENT.		DWN	JR RUTH	12JUL00	Tyco Electronics Corporation Harrisburg, PA 17105-3608		
DIMENSIONS: mm [INCHES]		CHK	MS FEHER	12JUL00			
TOLERANCES UNLESS OTHERWISE SPECIFIED:		APVD	D DECKER	12JUL00	NAME		
0 PLC ± - 1 PLC ± - 2 PLC ± 0.38[.015] 3 PLC ± - 4 PLC ± - ANGLES ± -		PRODUCT SPEC		RING TONGUE			
MATERIAL		APPLICATION SPEC		SIZE			
T1 BRASS		FINISH		CAGE CODE		RESTRICTED TO	
SEE TABLE		WEIGHT		DRAWING NO		-	
		-		A3 00779 C-42899			
CUSTOMER DRAWING				SCALE	3:1	SHEET	1 of 1
				REV	R		

单击下面可查看定价，库存，交付和生命周期等信息

[>>TE Connectivity\(泰科\)](#)