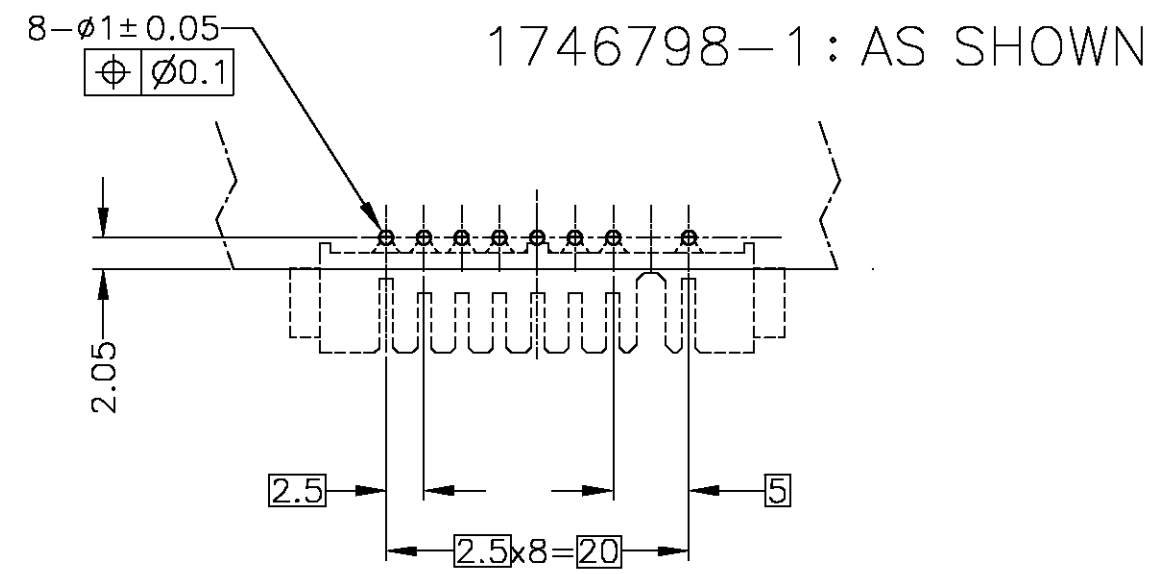
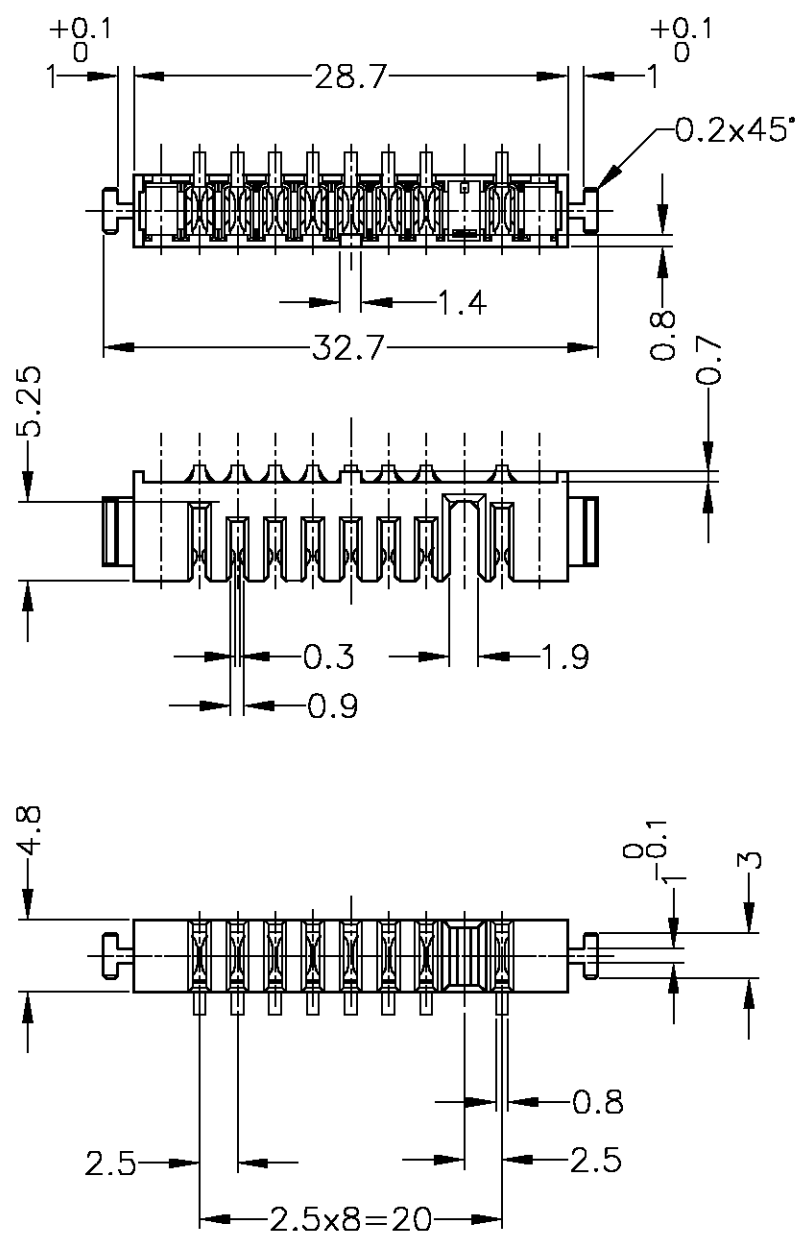
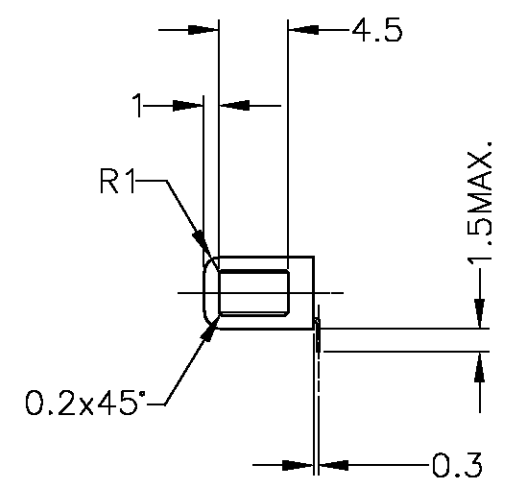


THIS DRAWING IS UNPUBLISHED. RELEASED FOR PUBLICATION 2002.
 © COPYRIGHT 2002 BY TYCO ELECTRONICS CORPORATION. ALL RIGHTS RESERVED.

LOC	DIST	REVISIONS			DATE	DWN	APVD
		P	LTR	DESCRIPTION			
J		A	REVISED	FJB0-0243-04	11MAR04	T.K	K.I



基板取付参考寸法
 REFERENCE P.C. BOARD LAYOUT
 P.C. BOARD THK 0.8~1.2
 (VIEW FROM CONNECTOR MOUNTING SIDE)



- △ 材料
 - ・ハウジング：熱可塑性樹脂、UL94V-0、黒
 - ・コンタクト：銅合金
- △ 仕上げ
 - ・コンタクト：ニッケル下地めっき
 - 接触部 金めっき
 - 半田付け部 無光沢錫めっき
- △ MATERIAL
 - ・ HOUSING: THERMOPLASTIC RESIN, UL94V-0, BLACK
 - ・ CONTACT: COPPER ALLOY
- △ FINISH
 - ・ CONTACT: Ni ALL OVER UNDER PL.
 - GOLD PL. AT CONTACT AREA
 - TIN PL. (MATTE) AT LEAD AREA

鉛フリー
 LEAD FREE

THIS DRAWING IS A CONTROLLED DOCUMENT.		DWN T.KATANO 16FEB04	WIRE RANGE 包含電線断面積		INSULATION DIA 被覆外径	
DIMENSIONS: 単位： 耗 MM		CHK T.KIMURA 16FEB04	APVD K.IKEGAMI 16FEB04		Tyco Electronics AMP K.K. Kawasaki, Japan	
TOLERANCES UNLESS OTHERWISE SPECIFIED: 一般公差		PRODUCT SPEC 製品規格	APPLICATION SPEC 取付適用規格		NAME 名称 2.5mm PITCH BATTERY CONNECTOR R/A RECEPTACLE ASSEMBLY 8POS.	
0 PLC ± 0.3		WEIGHT		SIZE A3	CAGE CODE 00779	DRAWING NO C-1746798
1 PLC ± 0.3		CUSTOMER DRAWING		RESTRICTED TO		
2 PLC ± 0.3		SCALE 尺度 2:1		SHEET 1 OF 1		REV A
3 PLC ± 0.3		SCALE		SHEET		REV
4 PLC ± 0.3		SCALE		SHEET		REV
ANGLES ± 3'		SCALE		SHEET		REV
FINISH 仕上		SCALE		SHEET		REV

单击下面可查看定价，库存，交付和生命周期等信息

[>>TE Connectivity\(泰科\)](#)