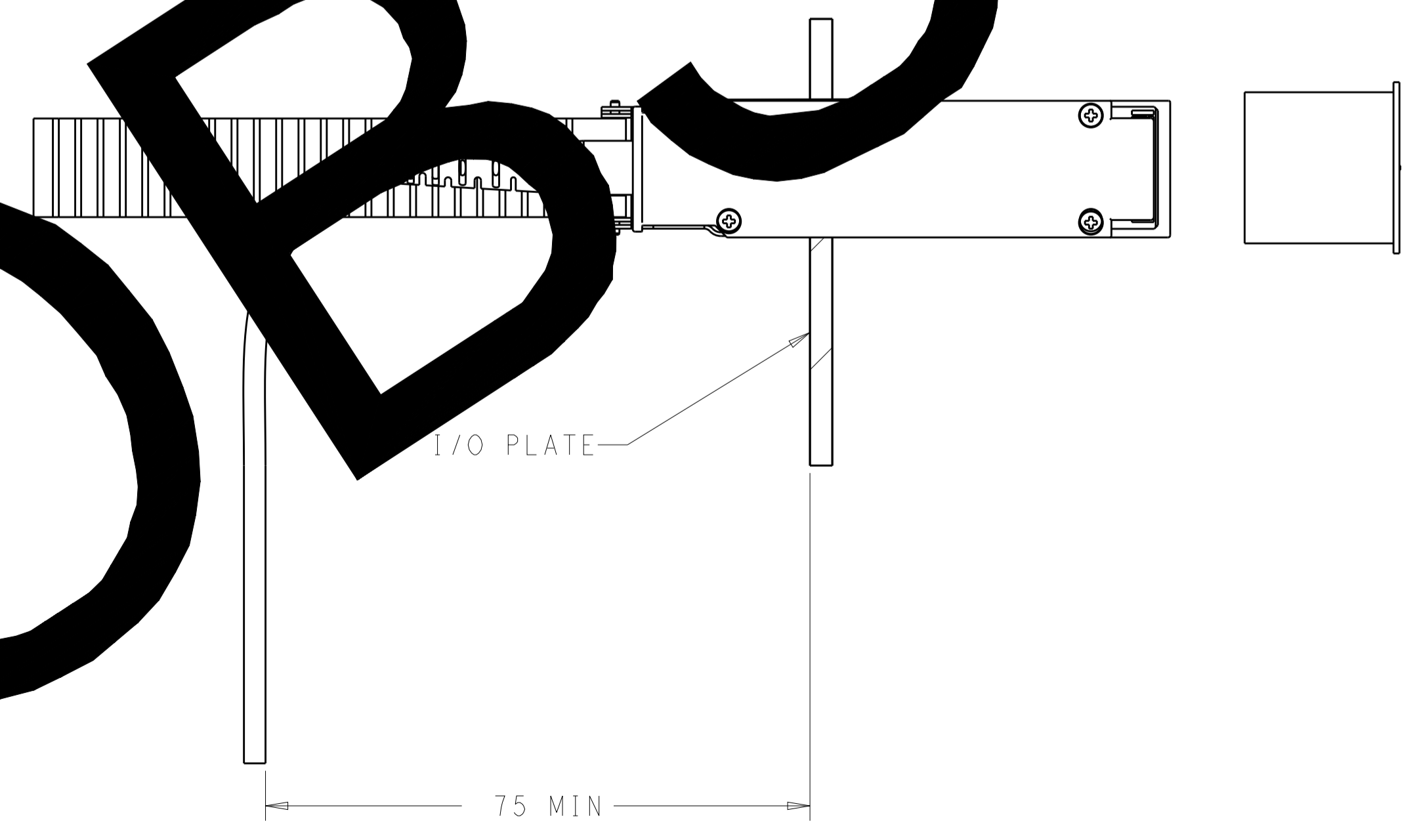
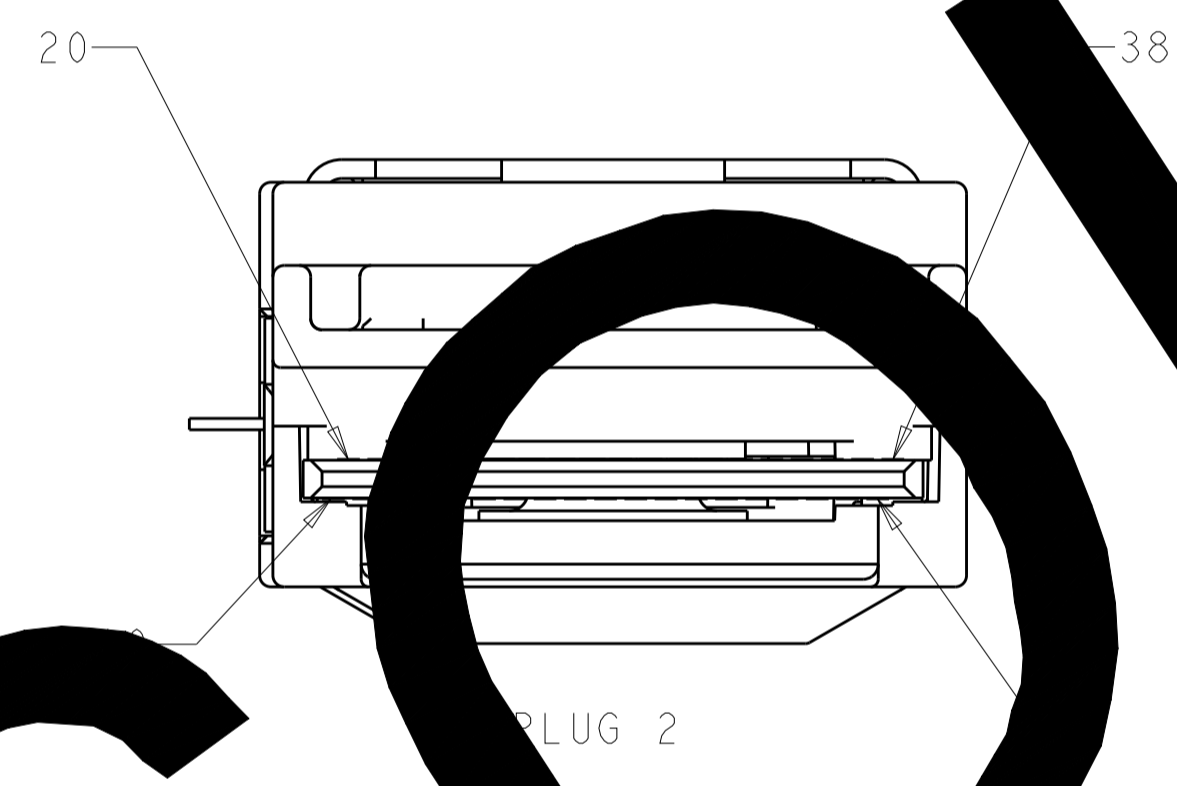
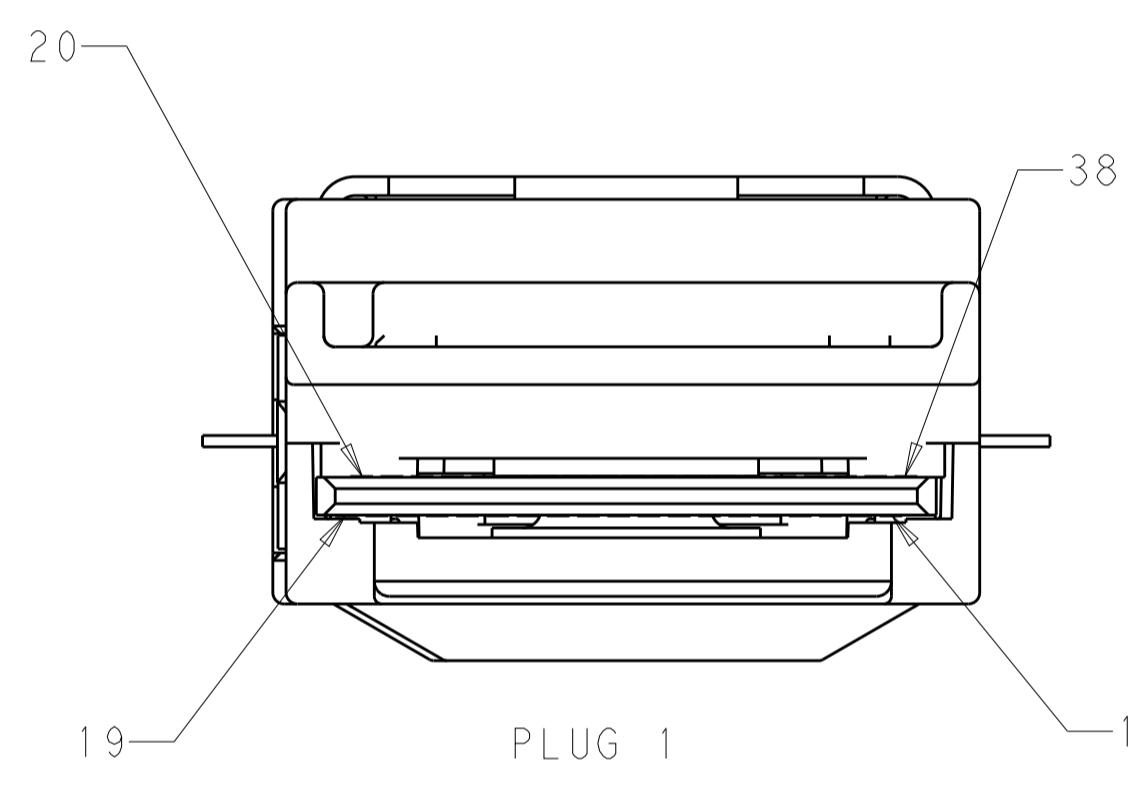
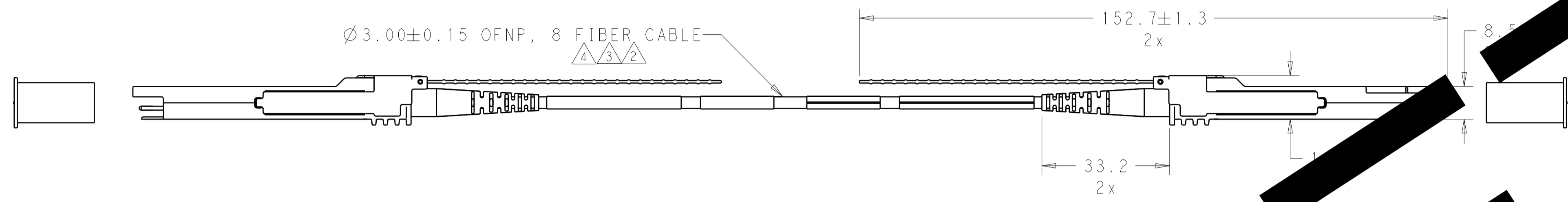
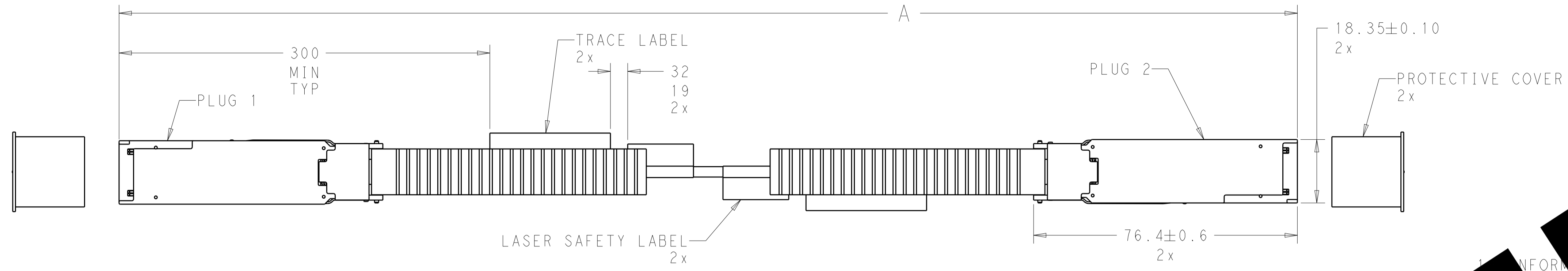


REVISIONS				
P.	LTN.	DESCRIPTION	DATE	APPV.
H		ECR-14-012918	04SEP2014	SW RZ
H1		OBSOLETE PER ECR-16-006201	08JUL2016	DEH JC



1. CONFORMS TO 8-177340 PRODUCT PERFORMANCE REQUIREMENTS. VERIFIED ACCORDANCE WITH 501-122042.
2. CAUTION! LASER RADIATION MAY RESULT IN HAZARDOUS RADIATION EXPOSURE.
3. CONFORMS TO 109-CORE INTERCONNECT CABLE REQUIREMENTS. STANDARD OM2 CABLE TO BE USED FOR LENGTHS UP TO 30 METERS, OM3 CABLE FOR LENGTHS UP TO 100 METERS.
4. SEE TRACE LABEL FOR FIBER IDENTIFICATION.
5. THE SHIELDING AND GROUNDING SCHEMATIC IS ISOLATED FROM SIGNAL GROUND (GND) IN THE CABLE AND CONNECTOR.
6. THE SIGNALS ARE NOT CARRIED THROUGH TO THE OTHER END, SINCE EACH END OF THE CABLE IS POWERED SEPARATELY.
7. THE QSFP MODULES IMPLEMENT THE 12C INTERFACE DESCRIBED IN SFF-8636 REV 1.5.
8. THE QSFP MODULES IMPLEMENT THE 12C INTERFACE DESCRIBED IN SFF-8636 REV 1.5.
9. EEPROM PROGRAMMED PER 2123603\_EEPROM\_CD REV H.
10. CONTAINS FIRMWARE REVISION 6.15.

32 ± 0.32	2-2123603-6
28 ± 0.28	2-2123603-5
21 ± 0.21	2-2123603-4
19 ± 0.19	2-2123603-3
18 ± 0.18	2-2123603-2
17 ± 0.17	2-2123603-1
16 ± 0.15	2-2123603-0
14 ± 0.15	1-2123603-9
13 ± 0.15	1-2123603-8
12 ± 0.15	1-2123603-7
11 ± 0.15	1-2123603-6
9 ± 0.15	1-2123603-5
8 ± 0.15	1-2123603-4
7 ± 0.15	1-2123603-3
<b>OBSOLETE</b> 1 ± 0.15	1-2123603-2
100 ± 1.00	1-2123603-1
50 ± 0.50	1-2123603-0
40 ± 0.40	2123603-9
30 ± 0.30	2123603-8
25 ± 0.25	2123603-7
20 ± 0.20	2123603-6
15 ± 0.15	2123603-5
10 ± 0.15	2123603-4
5 ± 0.15	2123603-3
3 ± 0.15	2123603-2
<b>OBSOLETE</b> 2 ± 0.15	2123603-1

**OBSOLETE**

**OBSOLETE**

A / m 4 PART NUMBER

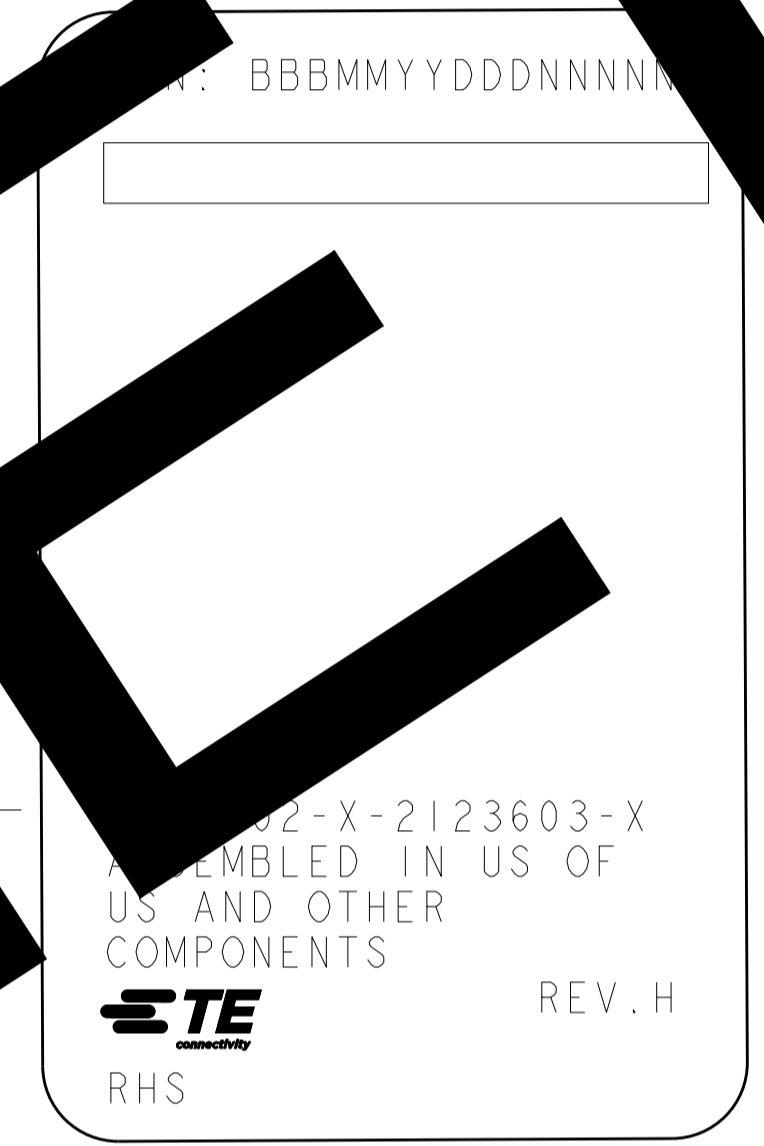
THIS DRAWING IS A CONTROLLED DOCUMENT.		OWN B. BRIGGS 08-Jul-16	TE Connectivity	
DIMENSIONS: mm		CHK B. FAIR 08-Jul-16	NAME PARALIGHT CABLE ASSEMBLY, 4x14, QSFP, ETHERNET	
TOLERANCES UNLESS OTHERWISE SPECIFIED:		APPV M. TRYSON 08-Jul-16	PRODUCT SPEC	
0 PLC ±		APPLICATION SPEC		
1 PLC ±0.5		SIZE CAGE CODE DRAWING NO RESTRICTED TO		
2 PLC ±0.13		A100779C=2123603		
3 PLC ±0.013		SCALE 5:4 SHEET 1 OF 2 REV H1		
4 PLC ±0.001		Customer Drawing		
ANGLES ±0.0001				
FINISH				

REVISIONS				
P.	LTN	DESCRIPTION	DATE	APVD
-	-	SEE SHEET 1	-	-

# OBSOLETE

QSFP	
PIN NO.	SIGNAL
1	GND
2	Tx2n
3	Tx2p
4	GND
5	Tx4n
6	Tx4p
7	GND
8	ModSelL
9	ResetL
10	Vcc Rx
11	SCL
12	SDA
13	GND
14	Rx3p
15	Rx3n
16	GND
17	Rx1
18	Rx1
19	GND
20	GND
21	Rx2n
22	Rx2p
23	GND
24	
25	Rx1
26	GND
27	ModPr
28	Int
29	Vcc
30	
31	PLMode
32	GND
33	Tx3p
34	Tx3n
35	GND
36	Tx1p
37	Tx1n
38	GND

FIBER COLOR CODE CHART	
FIBER #	COLOR
1	BLUE
2	ORANGE
3	GREEN
4	BROWN
5	FILLER
6	FILLER
7	FILLER
8	FILLER
9	GRAY
10	WHITE
11	RED
12	BLACK



SERIAL NUMBER: BBBMMYYDDNNNNN  
 BBB = BUILDING NUMBER  
 MM = MANUFACTURING LOCATION  
 YY = TWO DIGIT YEAR  
 DDD = ORDINAL DATE  
 NNNNN = FIVE DIGIT SERIAL NUMBER

COUNTRY OF ORIGIN WHEN MANUFACTURED OUTSIDE THE US LABEL MUST READ "MADE IN XXXXX", WHERE XXXXX REPRESENTS THE COUNTRY OF MANUFACTURING.  
 TE LOGO & CUSTOMER PRINT REV

TRACE LABEL INFORMATION  
 NOTE: LASER SAFETY CERTIFICATION IS BASED ON THE PREFIX AND THAT TE IS THE ONLY MANUFACTURER VISABLE ON THE LABEL

THIS DRAWING IS A CONTROLLED DOCUMENT.		DWN B. BRIGGS 08-Jul-16 CHK B. FAIR 08-Jul-16 APVD M. TRYSON 08-Jul-16	TE Connectivity
DIMENSIONS: mm 	TOLERANCES UNLESS OTHERWISE SPECIFIED: 0 PLC ±0.5 1 PLC ±0.13 2 PLC ±0.013 3 PLC ±0.001 4 PLC ±0.001 ANGLES ±0.001	PRODUCT SPEC APPLICATION SPEC	NAME PARALIGHT CABLE ASSEMBLY, 4x14, QSFP, ETHERNET
MATERIAL	FINISH	WEIGHT	RESTRICTED TO
Customer Drawing		SIZE CAGE CODE DRAWING NO A100779C=2123603	SCALE 5:4 SHEET 2 OF 2 REV H1

单击下面可查看定价，库存，交付和生命周期等信息

[>>TE Connectivity\(泰科\)](#)