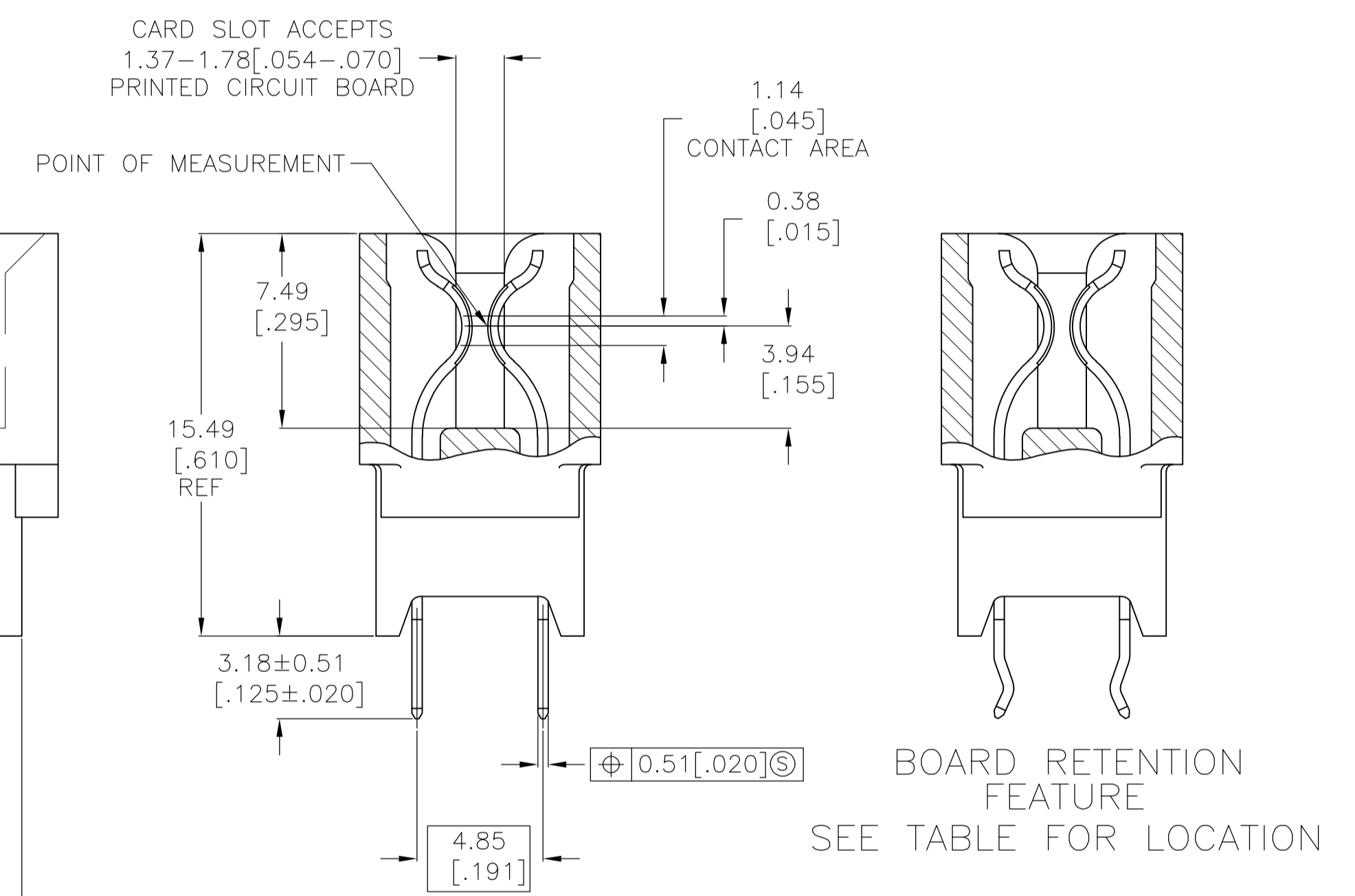
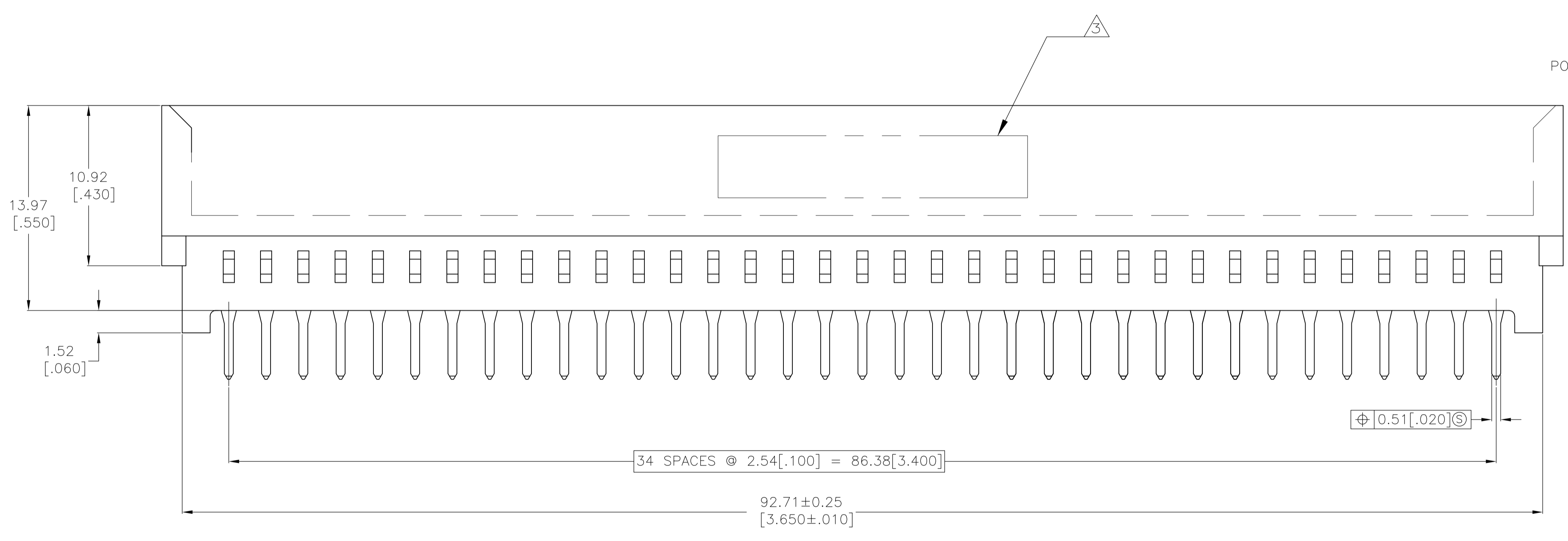
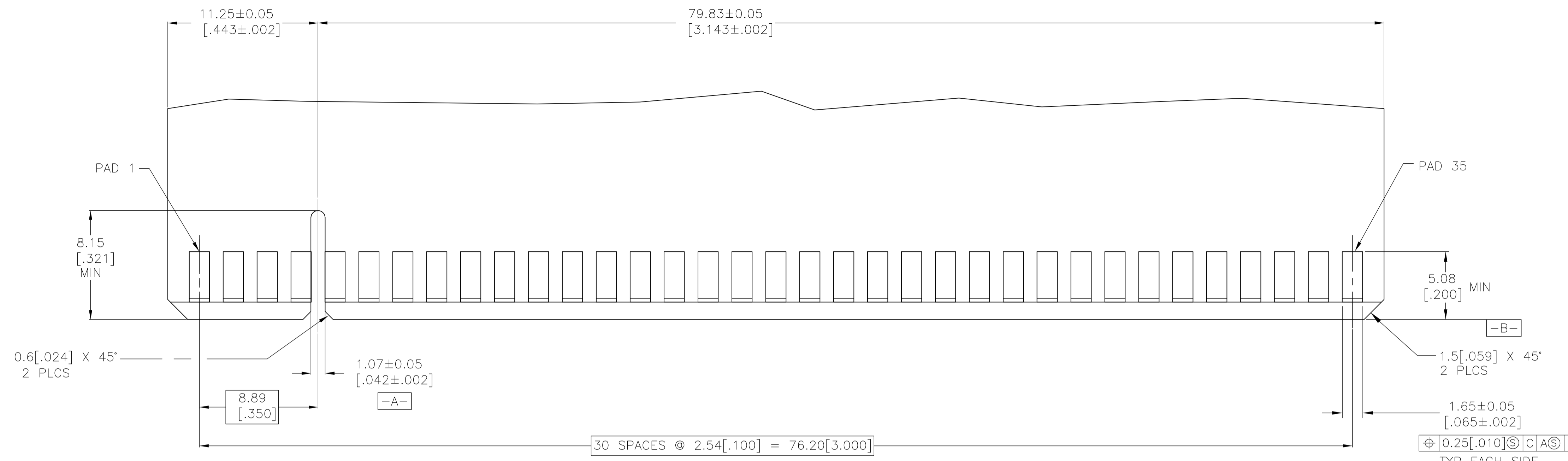


- MATERIAL:  
HOUSING: GLASS FILLED POLYESTER; COLOR: BLACK.  
CONTACT: HIGH CONDUCTIVITY COPPER ALLOY
- FINISH:  
 $0.00076$  [ $.000030$ ] GOLD PLATE IN CONTACT AREA,  
 $0.00254$  [ $.000100$ ] MIN MATTE TIN ON SOLDER POSTS, ALL  
OVER  $0.00127$  [ $.000050$ ] MIN NICKEL
- AMP LOGO, TE PART NUMBER, DATE CODE AND CSA LOGO INK  
STAMPED WHITE (HOT STAMPED OR LAZER PRINTED) IN THE APPROXIMATE  
AREA SHOWN, EITHER SIDE PERMISSABLE, WHEN HOUSING SIZE PERMITS
- DATUMS AND BASIC DIMENSIONS ESTABLISHED BY CUSTOMER

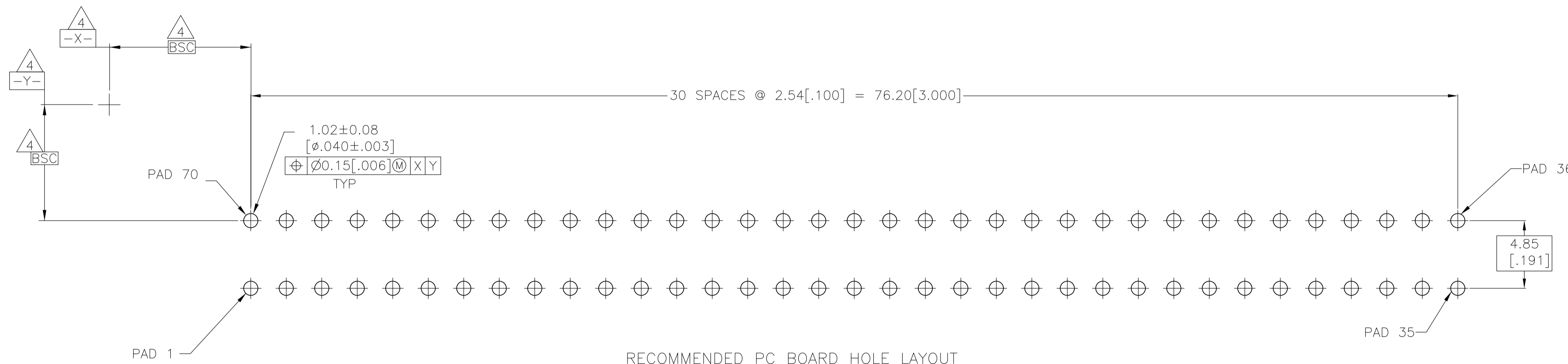
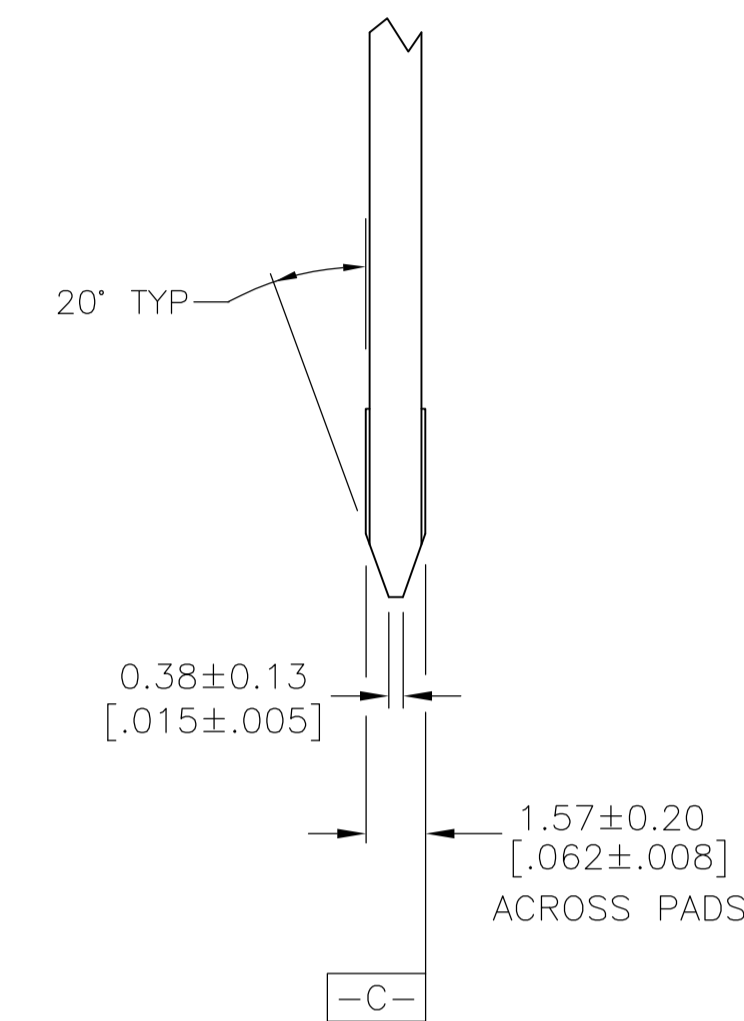


2, 3, 33, 34, 37, 38, 68, 69	1761446-1
RETENTION FEATURE LOCATION	PART NUMBER

THIS DRAWING IS A CONTROLLED DOCUMENT.		DWN AWF/L.A.MAYER 03APR2008	Tyco Electronics Corporation Harrisburg, Pa 17105-3608	
DIMENSIONS: mm		CHK A.W.FRANTUM 03APR2008	NAME CONNECTOR ASSEMBLY, STANDARD EDGE II, HIGH CURRENT, DUAL POSITION, 2.54 [.100] CENTERLINE	
TOLERANCES UNLESS OTHERWISE SPECIFIED:		APVD S.L.FLICKINGER 03APR2008	PRODUCT SPEC 108-9039	
0 PLC ± -		APPLICATION SPEC 114-13018		
1 PLC ± ± 0.13 [.005]		SIZE A1		
2 PLC ± ± -		CAGE CODE DRAWING NO 00779 1761446		
3 PLC ± ± -		RESTRICTED TO CUSTOMER DRAWING		
4 PLC ± ± -		SCALE: 5:1 SHEET 1 OF 2 REV C1		
ANGLES ± ± °				
MATERIAL SEE NOTE 1		FINISH SEE NOTE 2		



RECOMMENDED MATING BOARD EDGE CONFIGURATION



RECOMMENDED PC BOARD HOLE LAYOUT

THIS DRAWING IS A CONTROLLED DOCUMENT.		DWN AWF/L.A.MAYER 03APR2008	Tyco Electronics Corporation Harrisburg, Pa 17105-3608	
DIMENSIONS: mm		CHK A.W.FRANTUM 03APR2008	NAME CONNECTOR ASSEMBLY, STANDARD EDGE II, HIGH CURRENT, DUAL POSITION, 2.54 [.100] CENTERLINE	
TOLERANCES UNLESS OTHERWISE SPECIFIED: 0 PLC ± - 1 PLC ± - 2 PLC ± 0.13 [.005] 3 PLC ± - 4 PLC ± - ANGLES ± °		APVD S.L.FLICKINGER 03APR2008	PRODUCT SPEC 108-9039	
MATERIAL SEE NOTE 1		FINISH SEE NOTE 2	APPLICATION SPEC 114-13018	RESTRICTED TO CUSTOMER DRAWING
WEIGHT		SCALE 5:1	SHEET 2 OF 2	REV C1

单击下面可查看定价，库存，交付和生命周期等信息

[>>TE Connectivity\(泰科\)](#)