

REVISIONS				
P.	LTN	DESCRIPTION	DATE	OWN APVD
C	REV PER ECO 18-010457		7-24-18	CT CJ
D	REVISED PER ECO-19-004671		26MAR2019	DCB RL

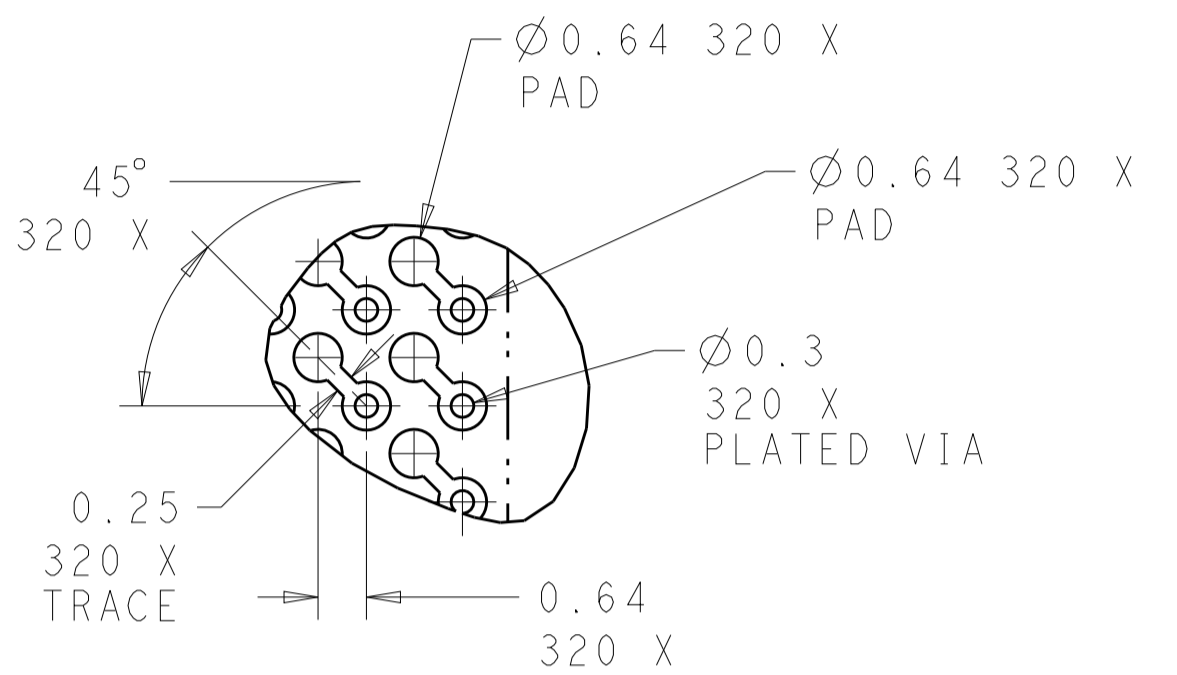
⚠ MATERIAL: HOUSINGS LCP, COLOR: NATURAL  
 CONTACT: PHOSPHOR BRONZE.  
 SOLDER BALL: SEE TABLE  
 FILM TAPE: KAPTON WITH SILICON ADHESIVE.

⚠ FINISH: CONTACTS: GOLD (SEE TABLE) ON MATING AREAS  
 NICKEL ON ENTIRE CONTACT.

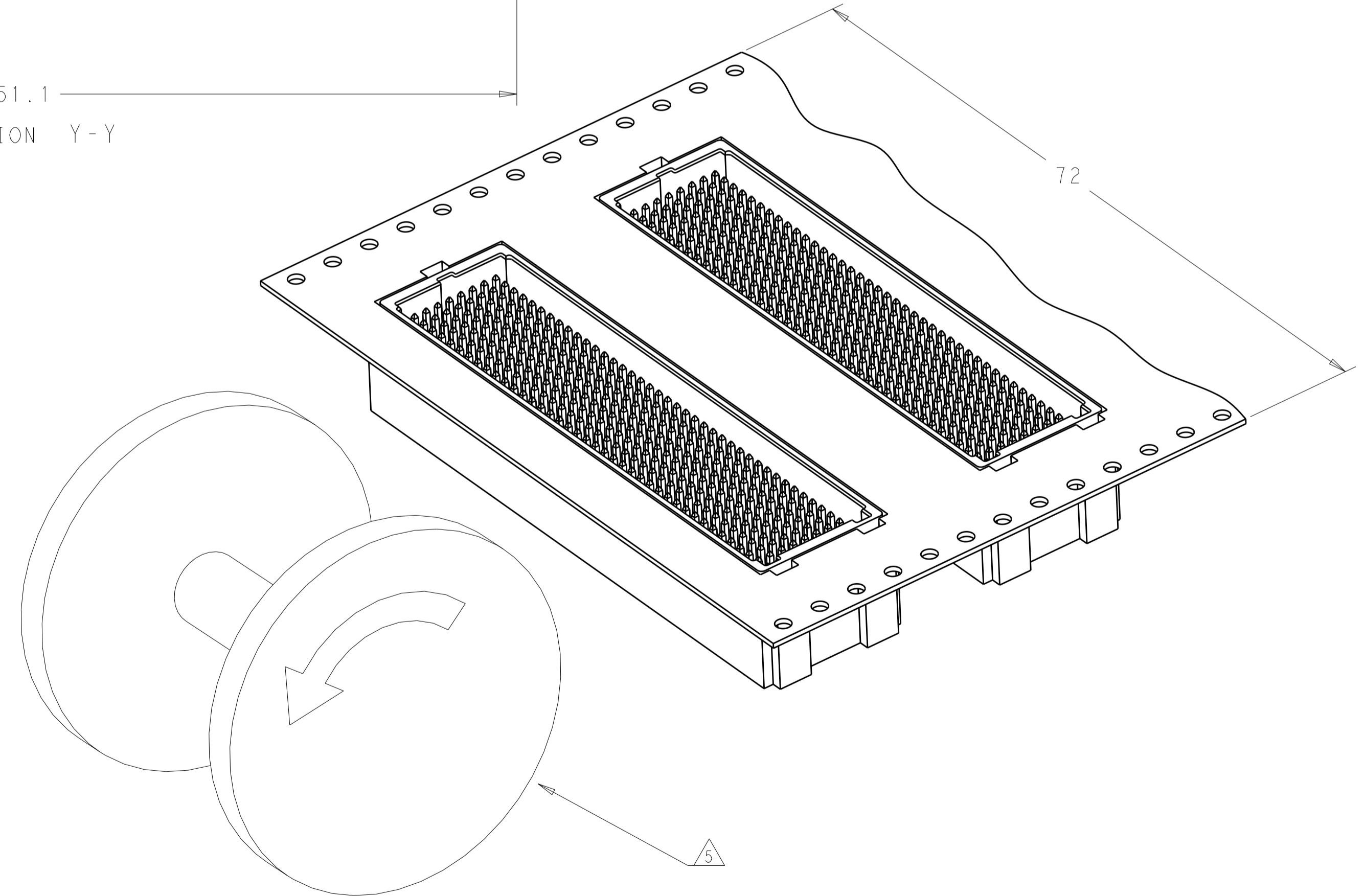
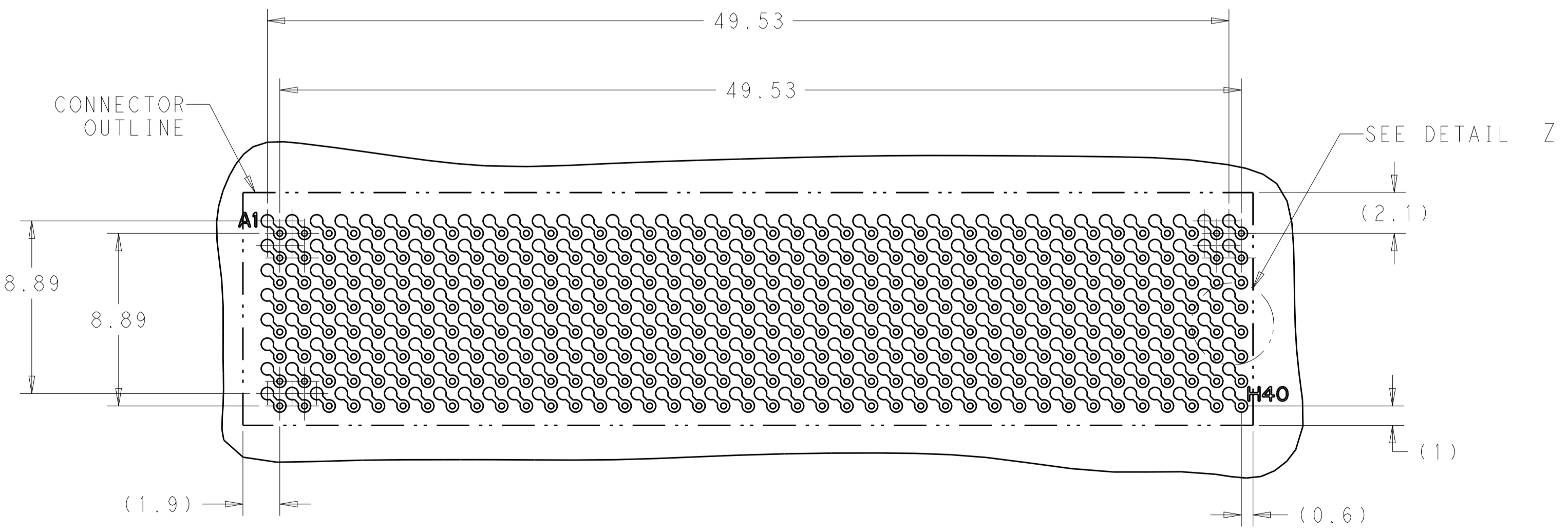
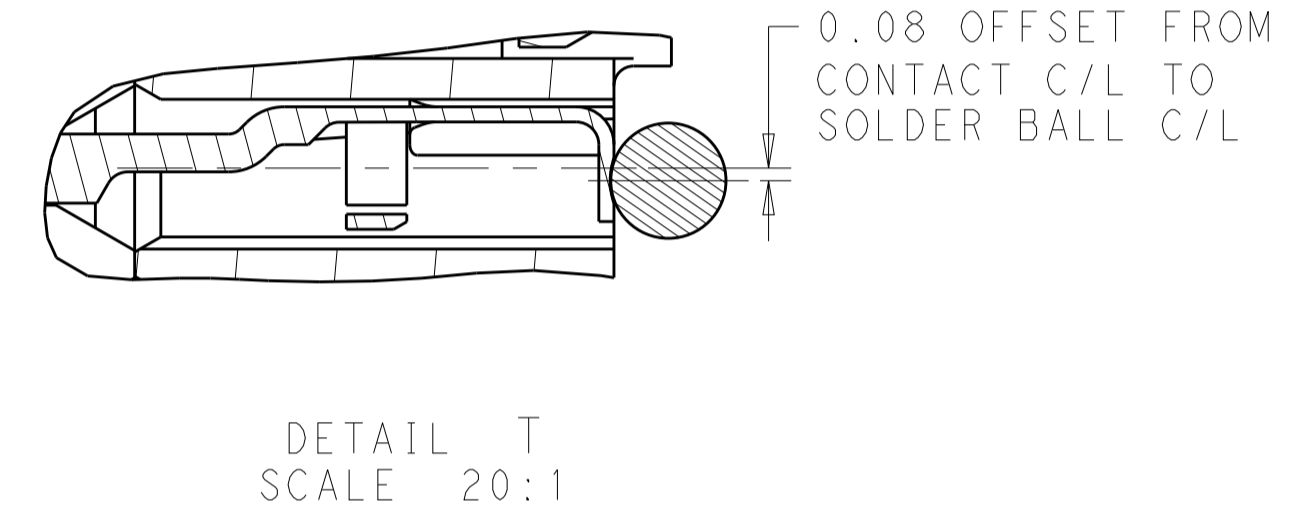
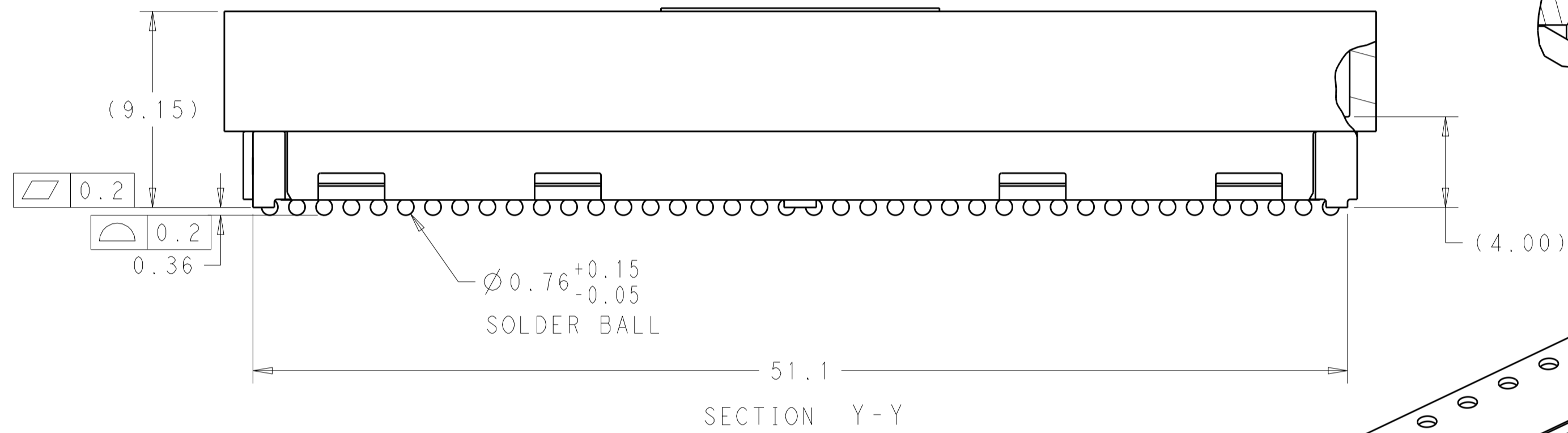
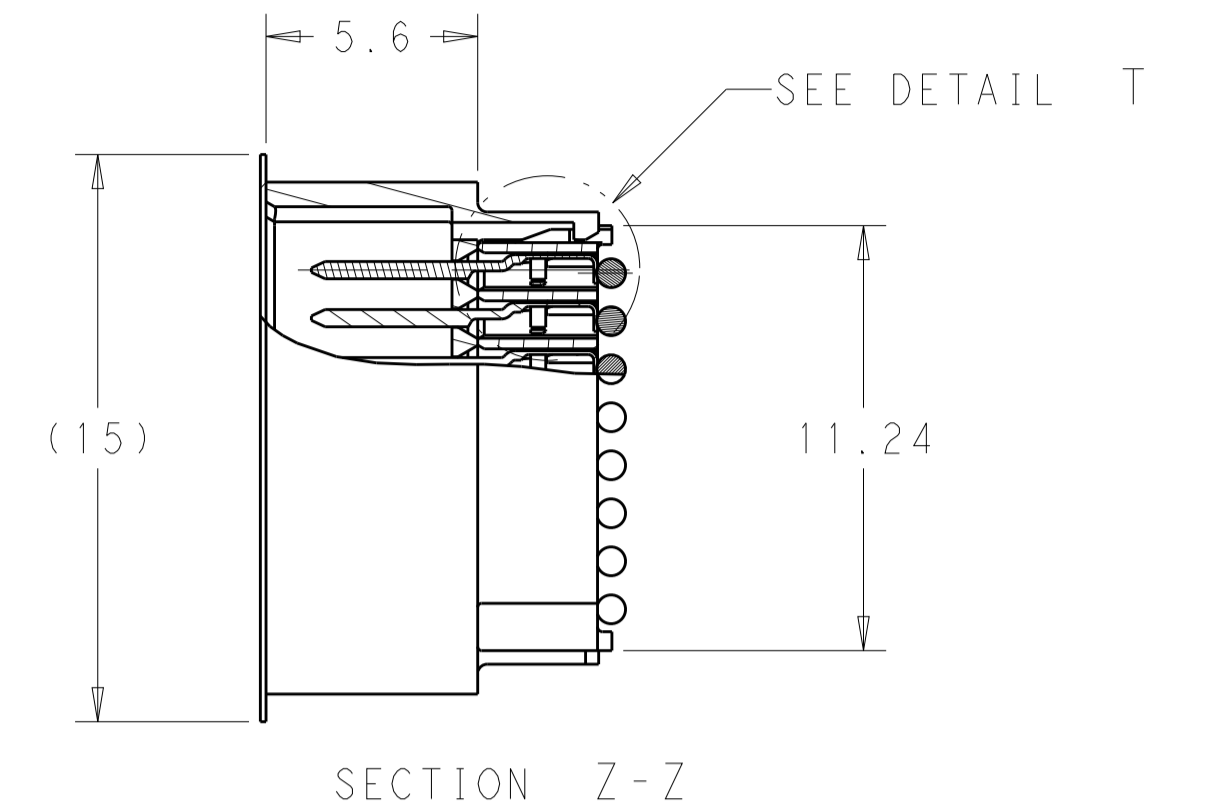
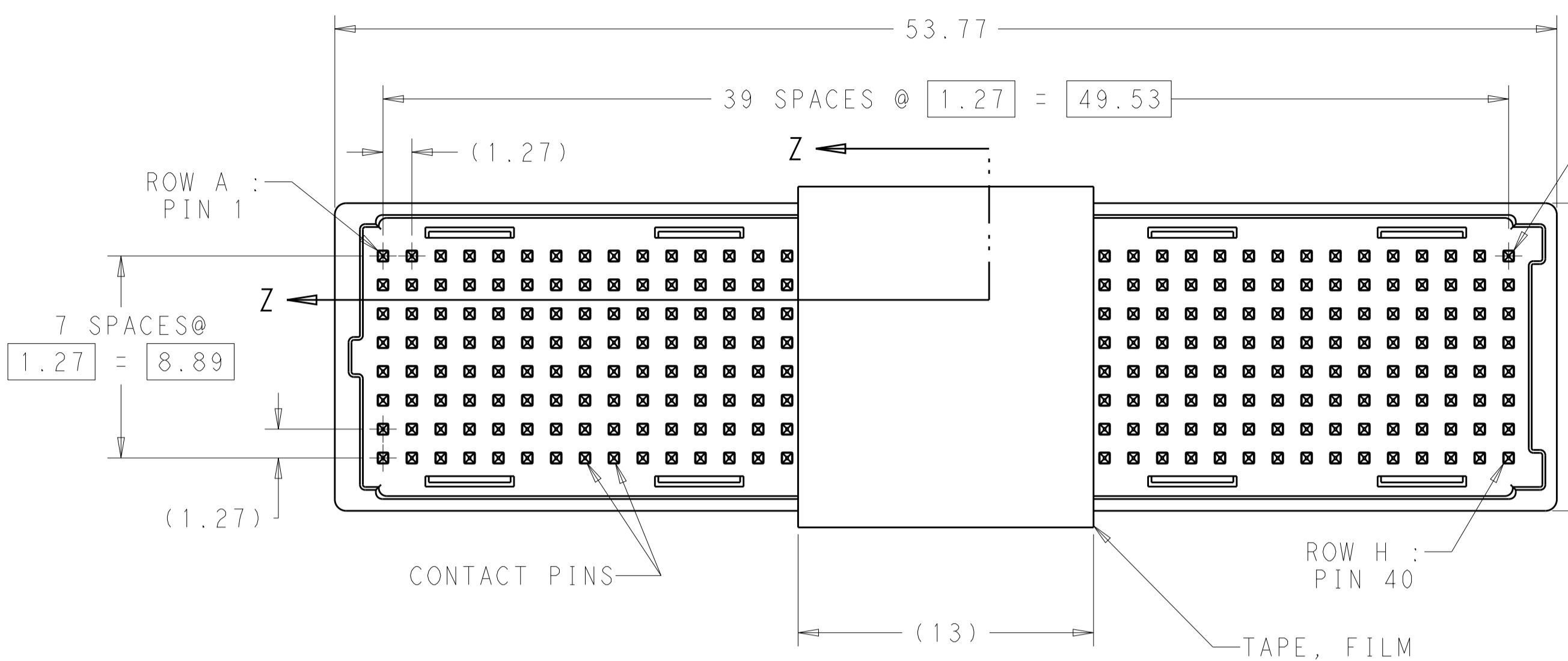
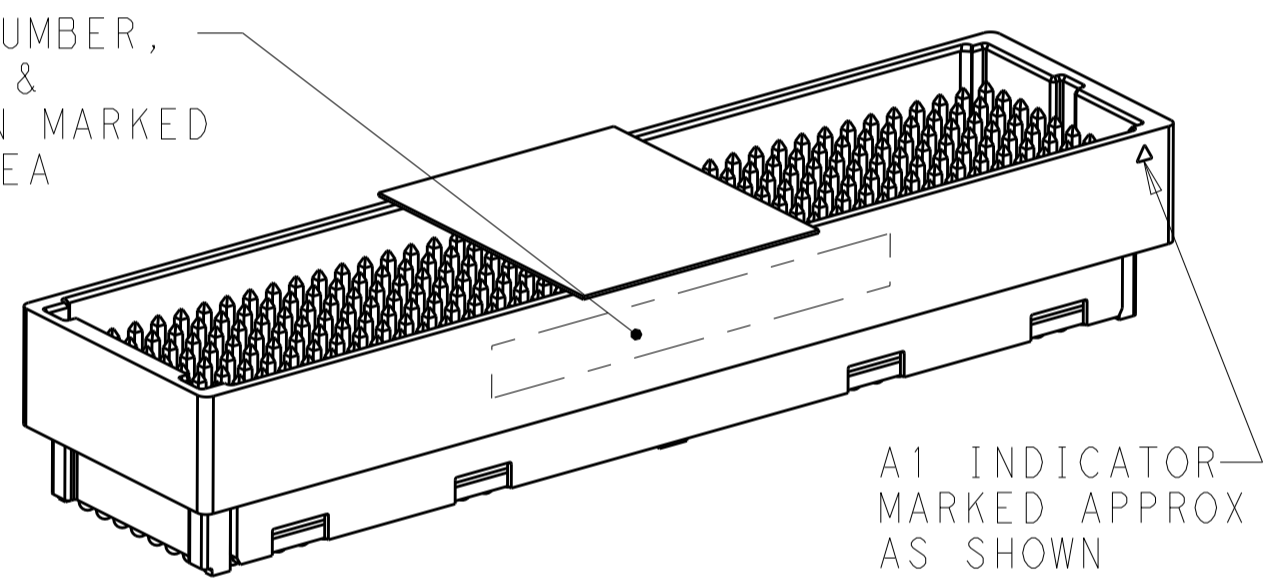
3. PRODUCT IS PACKAGED ON TAPE AND REELED.

⚠ PRELIMINARY PART.

⚠ DIAGRAM REPRESENTS THE REELING DIRECTION OF THE PACKAGED CONNECTORS. THERE ARE 10 EMPTY POCKETS AT THE BEGINNING OF THE REEL AND 15 EMPTY POCKETS AT THE END OF THE REEL.



ASSEMBLY PART NUMBER, DATE CODE & COUNTRY OF ORIGIN MARKED IN THIS AREA



1-2102430-2	1-2102430-6	2102430-8	2102430-6	0.76 μm	LEAD FREE PER SAC405	2102429-4
SUPERSEDED BY 2102429-1	1-2102430-1	1-2102430-5	2102430-7	0.76 μm	TIN LEAD	2102429-3
SUPERSEDED BY 2102429-4	1-2102430-0	1-2102430-4	2102430-4	1.27 μm	LEAD FREE PER SAC405	2102429-2
	2102430-9	1-2102430-3	2102430-3	1.27 μm	TIN LEAD	2102429-1
18mm STACK MATING CONNECTOR	15mm STACK MATING CONNECTOR	12mm STACK MATING CONNECTOR	10mm STACK MATING CONNECTOR	GOLD PLATING THICKNESS	SOLDER BALL MATERIAL	PART NUMBER

THIS DRAWING IS A CONTROLLED DOCUMENT. DWN: MCKIBBEN, JOHN 18 JUL 2012  
 CHK: DOWHOWER, KENNETH  
 DIMENSIONS: mm  
 TOLERANCES UNLESS OTHERWISE SPECIFIED:  
 0 PLC ±0.5  
 1 PLC ±0.13  
 2 PLC ±0.13  
 3 PLC ±0.013  
 4 PLC ±0.0001  
 ANGLES ±0.0001  
 FINISH: 2  
 MATERIAL: 1  
 NAME: ASSEMBLY, PIN HOUSING XMC MEZZANINE 320 POSITION  
 PRODUCT SPEC: 108-2411  
 APPLICATION SPEC:  
 114-132776  
 WEIGHT:  
 CUSTOMER DRAWING  
 SCALE: 5:1 SHEET 1 OF 1 REV D

单击下面可查看定价，库存，交付和生命周期等信息

[>>TE Connectivity\(泰科\)](#)