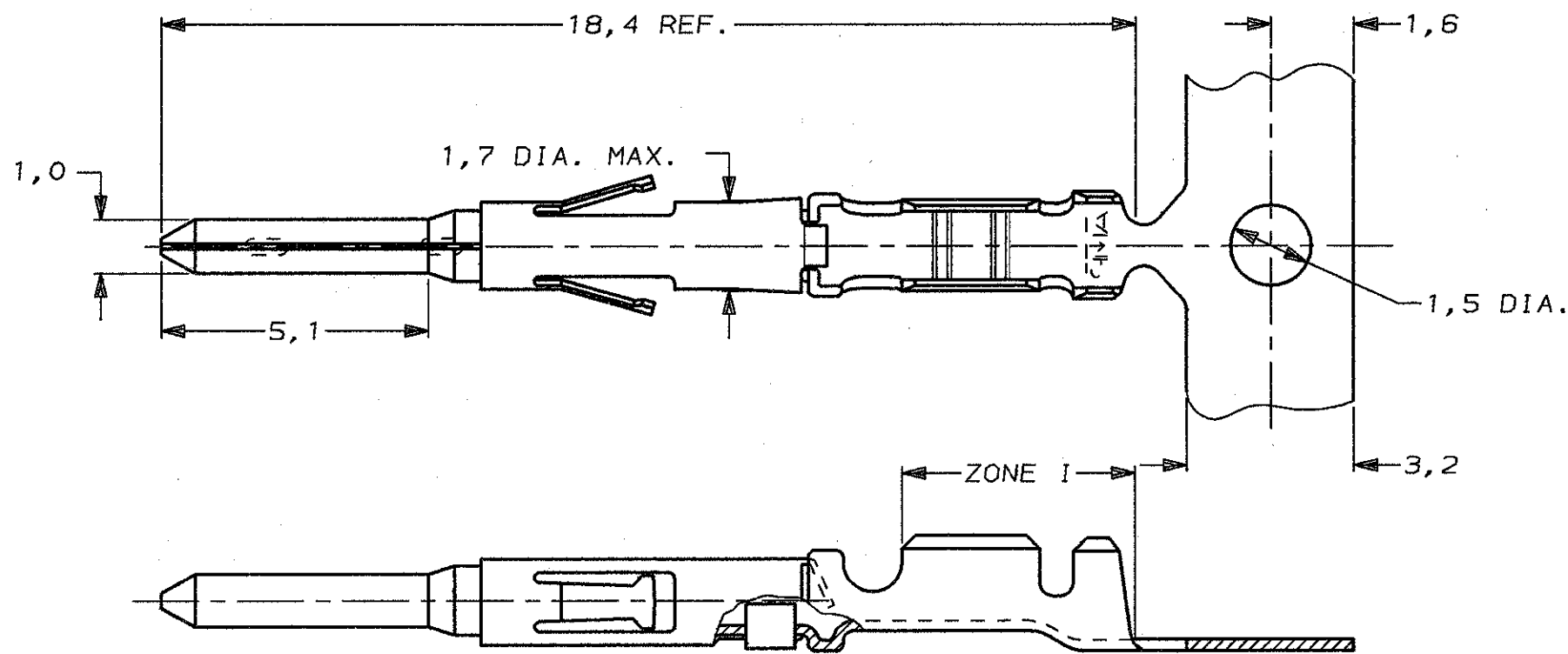
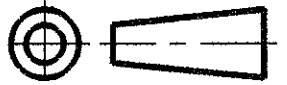


DO NOT SCALE
DIMENSIONS IN mm

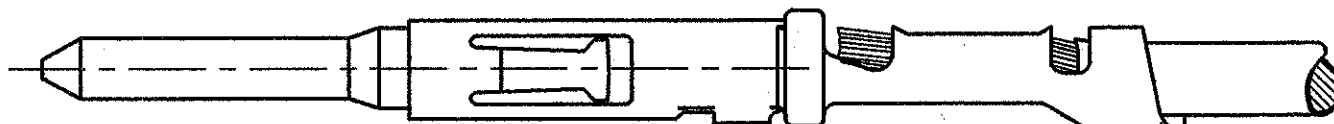
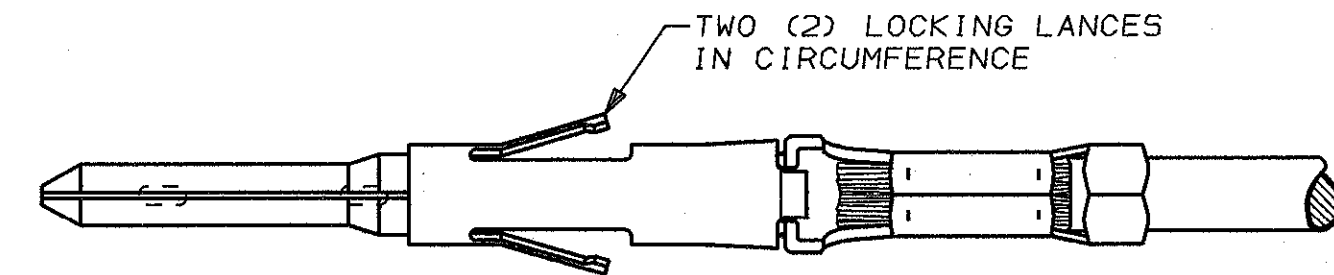
METRIC

THIRD ANGLE
PROJECTION



NOTES:

- 1 FOR MINI-APPLICATOR CRIMPING.
- 2 FOR STANDARD-APPLICATOR CRIMPING.
- 3 FOR LOOSE-PIECE VERSIONS SEE DWG. 166296
- 4 UNDERCOATING: 1,3µm Ni.
SELECTIVE : 0,8µm Au.
ZONE I : BRIGHT TIN/LEAD PLATED.
- 5 UNDERCOATING: 1,3µm Ni.
SELECTIVE : 2,0µm Au.
REMAINDER : GOLDFLASH.



WIRE RANGE :
(0,2-0,56 mm²) 20-24 AWG
INSULATION RANGE :
1,57 DIA. MAX.

SEE NOTE 5	STAINLESS STEEL	BRASS	166046-4	1
SEE NOTE 4			166046-3	2
SEE NOTE 4			166046-1	1
PLATING OF BODY	MATERIAL OF SLEEVE	MATERIAL OF BODY	PARTNUMBER	

-	-	-	-	-	-
-	-	-	-	-	-
-	-	-	-	-	-
-	-	-	-	-	-
-	-	-	-	-	-
G	EH-0077-92	JvL	CvT	04-03-94	
LTR.	REVISION RECORD	DR.	CHK.	DATE	
DR.:	J.v.LIEMPT	CHK.:	C.v.TILBURG	APP.:	L.v.SOEST
DATE:	6 JAN 1993	DATE:	08-02-93	DATE:	08-02-93

CUSTOMER DRAWING FOR REFERENCE ONLY
WILL NOT BE UPDATED

© COPYRIGHT 19- BY AMP HOLLAND B.V.
ALL INTERNATIONAL RIGHTS RESERVED. AMP PRODUCTS MAY BE
COVERED BY U.S. AND FOREIGN AND/OR PATENTS PENDING.
THIS DRAWING IS UNPUBLISHED
RELEASED FOR PUBLICATION

AMP AMP HOLLAND B.V.
s-Hertogenbosch,
The Netherlands.

NAME

**CONTACT ASSEMBLY-PIN
TYPE XI, SIZE 20**

DWG. No. C-166046

REV. LTR. SHEET
G 1 OF 1 A3

单击下面可查看定价，库存，交付和生命周期等信息

[>>TE Connectivity\(泰科\)](#)