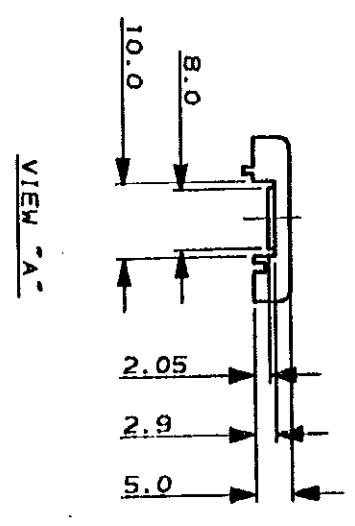
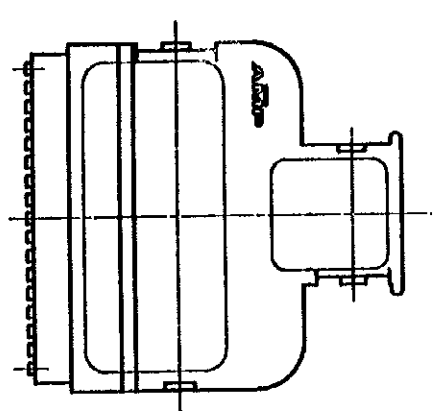
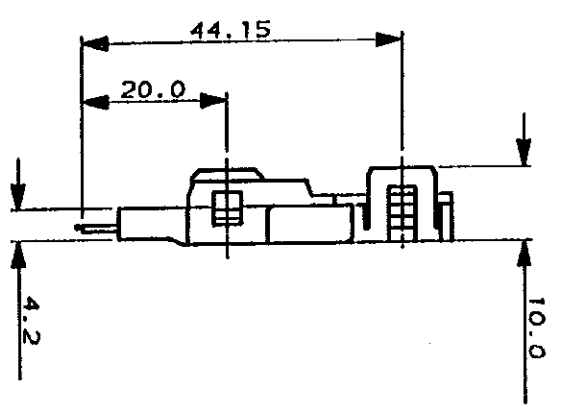
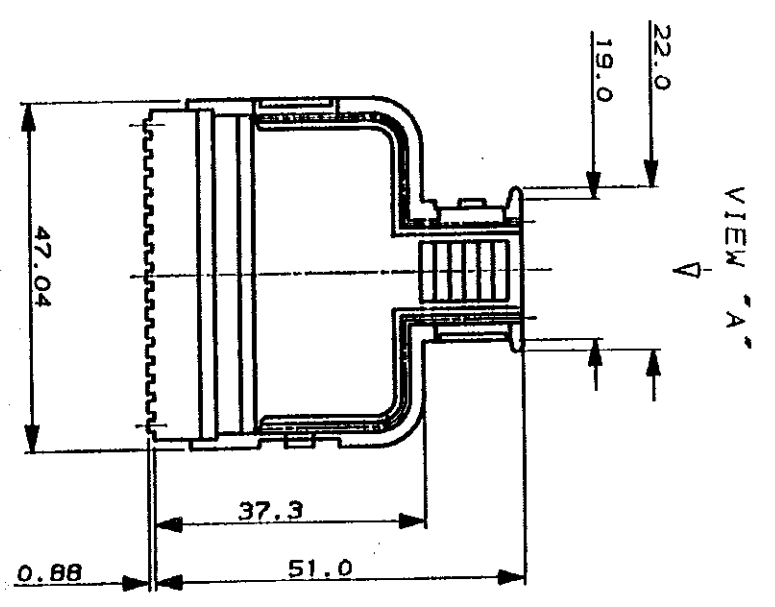
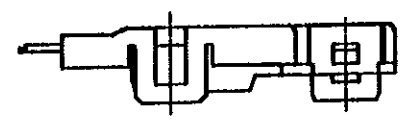


PRINT DIST DIMENSIONS IN MILLIMETERS. DO NOT SCALE PRINT



-1, A5 SHOWN
-1, 本 図

LTR	REV	DATE	CHK	DR
A	1	4/28/89	T. Sasaki	H. Akiyama

© 1988 BY AMP (Japan) LTD. ALL RIGHTS RESERVED. AMP PRODUCTS COVERED BY PATENTS AND OR PATENTS PENDING		WIRE RANGE # 19 - 40 (AWG)	INSULATION DIA 7.1 - 9.0 mmφ	MATERIAL # 19 - 40 (AWG)	FINISH #
NAME CABLE COVER 34P 5-200 CONN. SYSTEM (W-T-B)		GENERAL TOLERANCE 0-10 : ±0.2 10-30 : ±0.25 30-100 : ±0.3 ANGLES : ±3°			
AMP JAPAN, LTD. Tokyo, Japan		SIZE LOC NUMBER A3 J C-175600			
SCALE 1-1		REV. A SHEET 1 OF 1			

CUSTOMER DRAWING

单击下面可查看定价，库存，交付和生命周期等信息

[>>TE Connectivity\(泰科\)](#)