

4

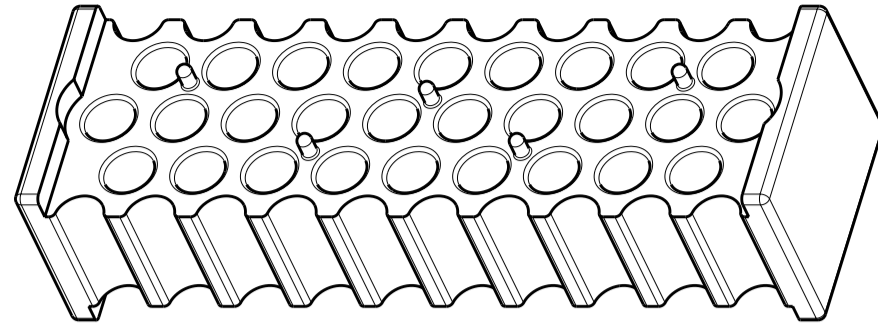
3

2

1

THIS DRAWING IS UNPUBLISHED. RELEASED FOR PUBLICATION 20  
 © COPYRIGHT 20 BY TYCO ELECTRONICS CORPORATION. ALL INTERNATIONAL RIGHTS RESERVED.

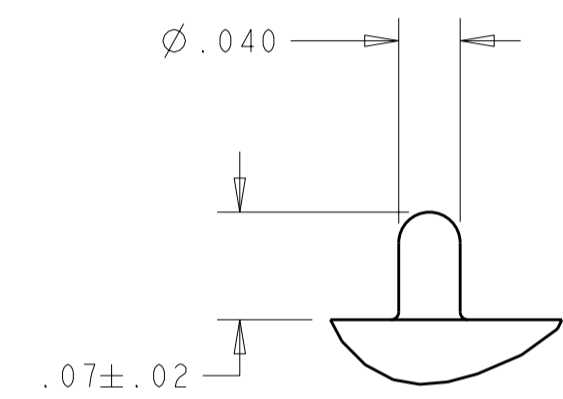
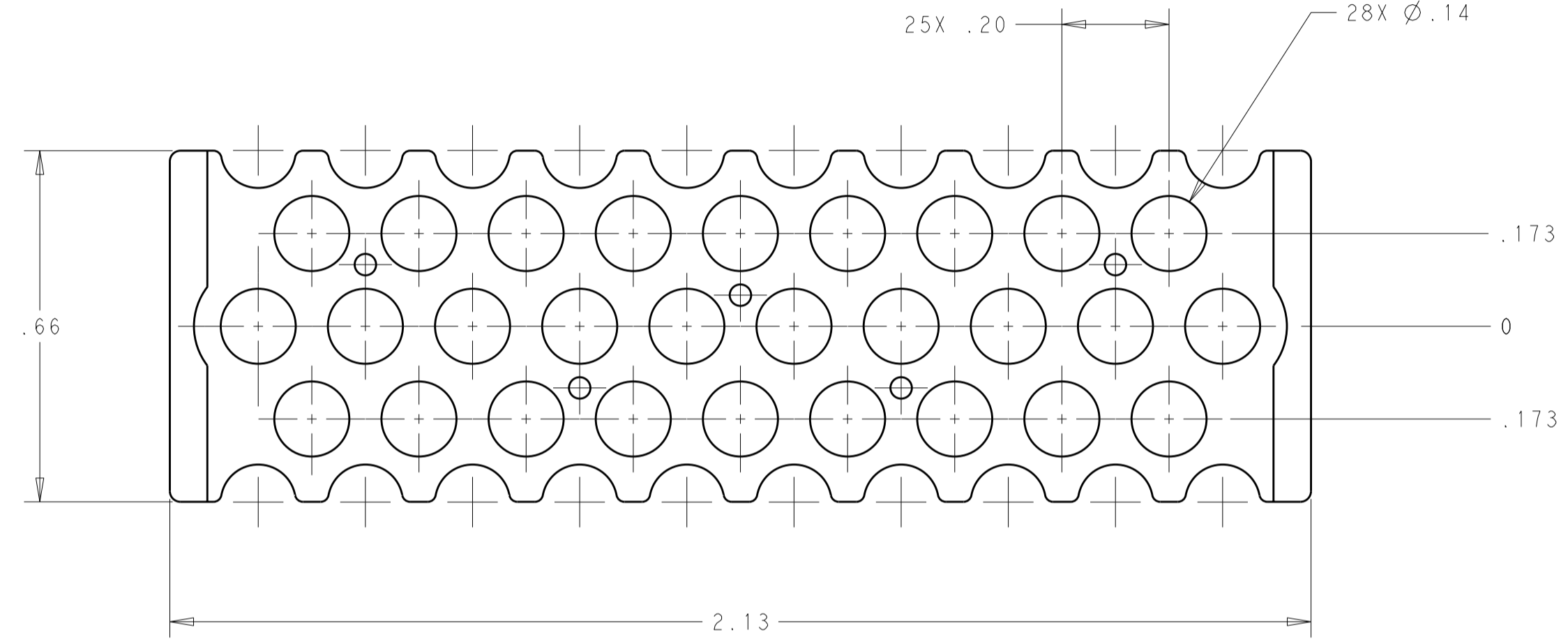
LOC	DIST	REVISIONS			
P	LTR	DESCRIPTION	DATE	DWN	APVD
BV	00	B1 REDRAWN IN PRO-E; ECO-10-023671	18NOV2010	DD	DS



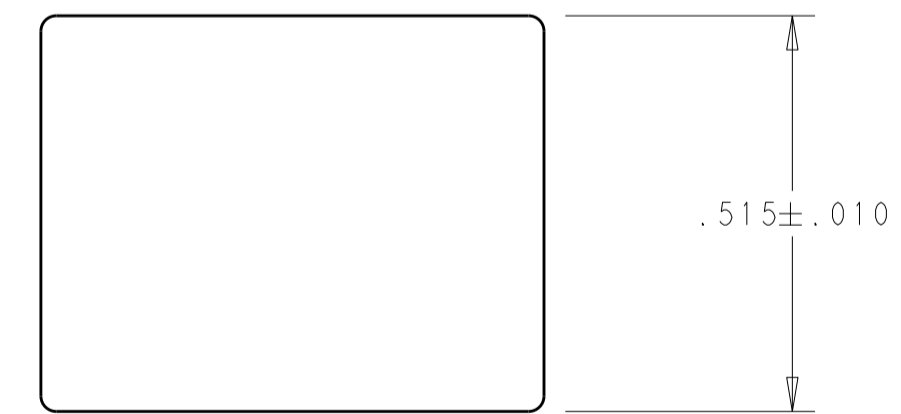
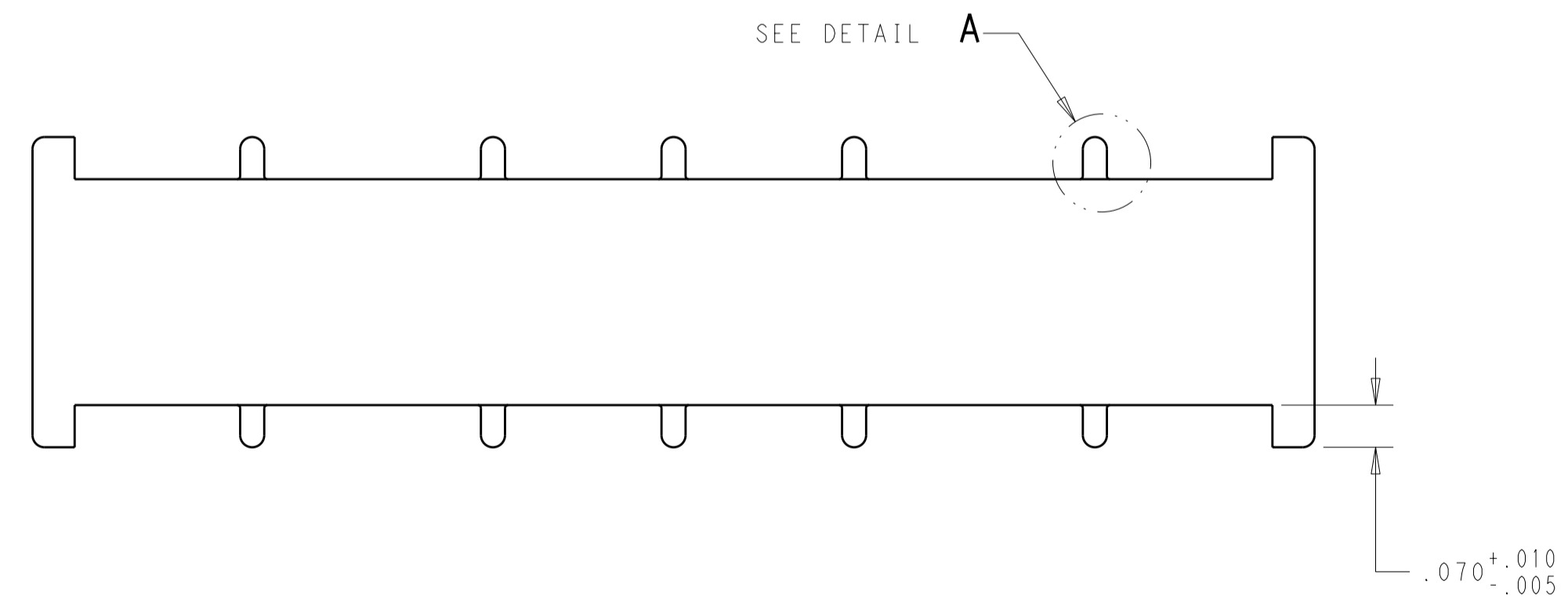
SCALE 2:1

1 MATERIAL: POLYESTER MOLDING COMPOUND  
 30% GLASS FILLED PBT BLACK.

2. USE ON ASSEMBLY 776179.



DETAIL A  
 SCALE 8:1  
 10 PLACES



776177-1  
 PART NUMBER

<small>THIS DRAWING IS A CONTROLLED DOCUMENT FOR TYCO ELECTRONICS CORPORATION          IT IS SUBJECT TO CHANGE AND THE CONTROLLING ENGINEERING ORGANIZATION          SHOULD BE CONTACTED FOR THE LATEST REVISION.</small>		DWN D. STRAUSSER 11NOV2010 CHK D. STRAUSSER 17NOV2010 APVD D. STRAUSSER 18NOV2010	Tyco Electronics Corporation Harrisburg, PA 17105-3608
DIMENSIONS: INCHES	TOLERANCES UNLESS OTHERWISE SPECIFIED: 0 PLC ± 1 PLC ± 2 PLC ± 3 PLC ± 4 PLC ± ANGLES ± FINISH	PRODUCT SPEC APPLICATION SPEC WEIGHT 6.5g	NAME WIRE GUIDE 28 POSITION, ECMSC
MATERIAL 		CUSTOMER DRAWING	SIZE CAGE CODE DRAWING NO RESTRICTED TO A200779 C-776177 -
		SCALE 4:1	SHEET 1 OF 1 REV B1

单击下面可查看定价，库存，交付和生命周期等信息

[>>TE Connectivity\(泰科\)](#)