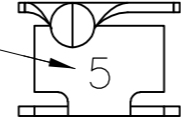


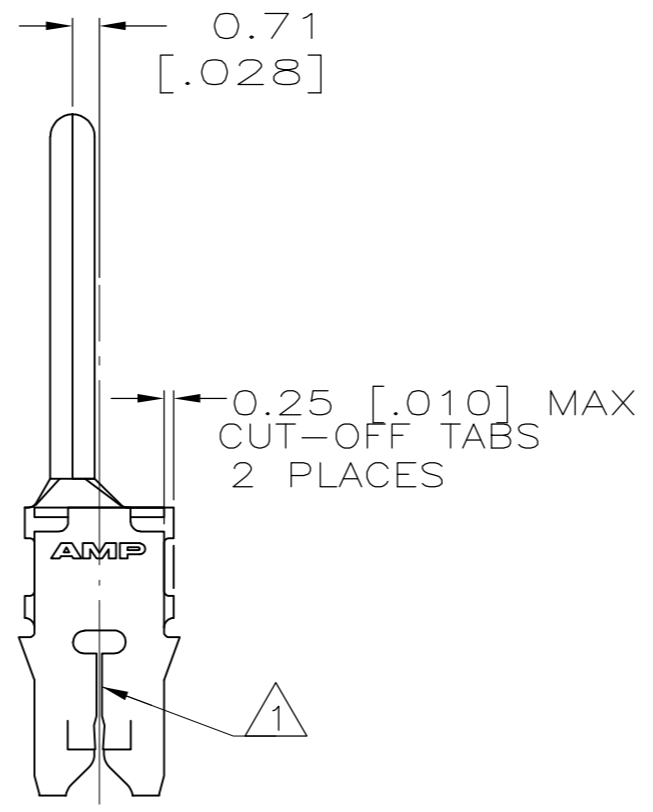
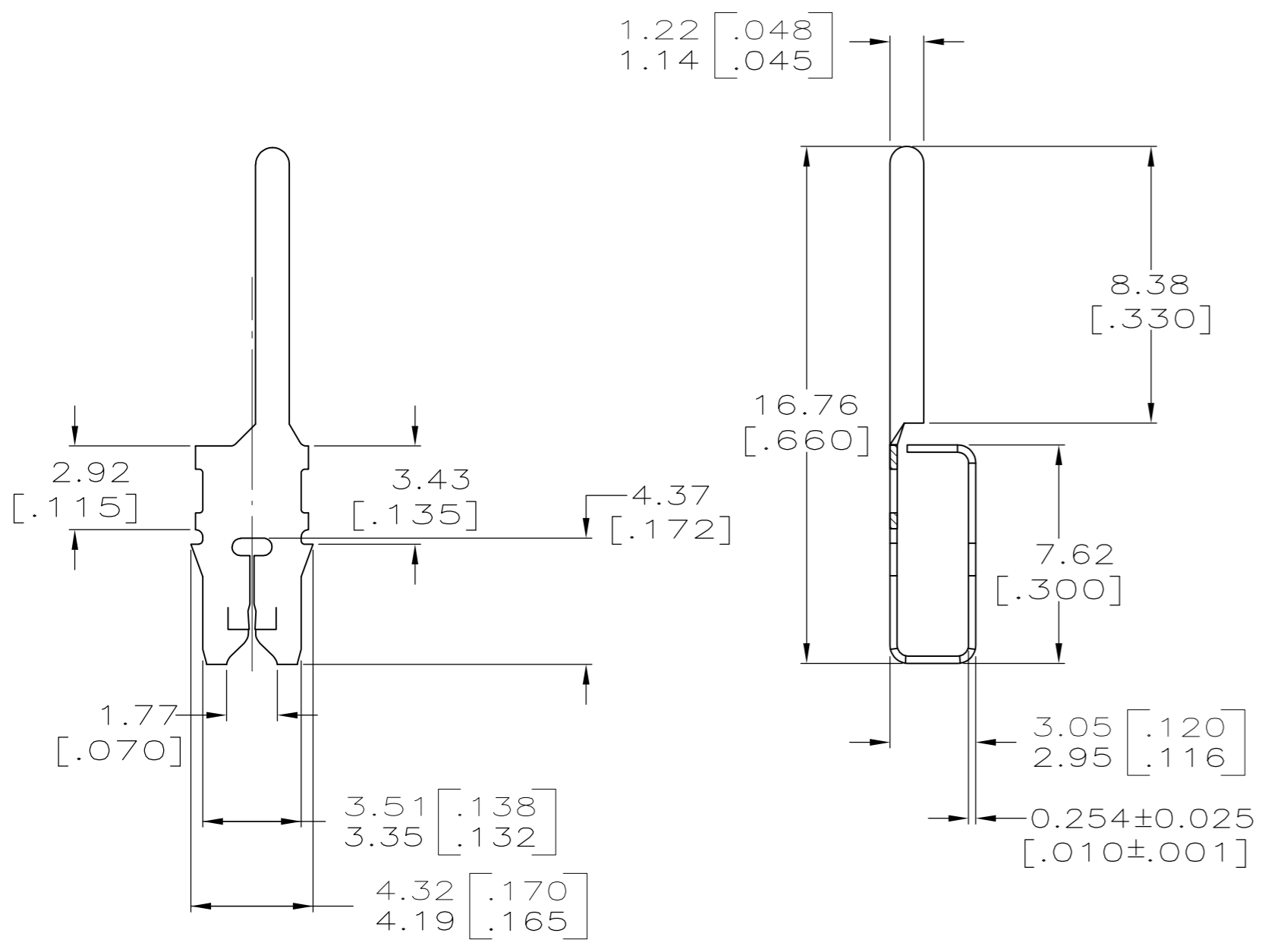
THIS DRAWING IS UNPUBLISHED. RELEASED FOR PUBLICATION
 © COPYRIGHT BY TYCO ELECTRONICS CORPORATION. ALL RIGHTS RESERVED.

LOC	DIST	REVISIONS					
		P	LTR	DESCRIPTION	DATE	DWN	APVD
AF	50		C	REV PER ECR 05-010705	03NOV05	JR	KR
			D	ECR-13-008483	06AUG13	XJ	DZ

IDENTIFICATION NUMBER FOR
MAGNET WIRE RANGE



- ① SLOT TERMINATES EITHER SINGLE OR DOUBLE COPPER MAGNET WIRES OF THE SAME SIZE, 0.23-0.32mm [#31-#28] AWG.
- ② TIN PLATE



63879-1
PART NO.

THIS DRAWING IS A CONTROLLED DOCUMENT.		DWN 11/OCT/95 MICHAEL S. FEHER	Tyco Electronics Corporation Harrisburg, PA 17105-3608	
TERMINATIONS SHUTTER		CHK 16/OCT/95 RICHARD GRZYBOWSKI		
INCHES		APVD 16/OCT/95 TL SHUTTER	NAME	
TOLERANCES UNLESS OTHERWISE SPECIFIED:		PRODUCT SPEC	PIN, LOOSE PIECE, 1.22 [.048] DIA, LEFT HAND, MAG-MATE	
0 PLC ± -		108-2012	SIZE	CAGE CODE
1 PLC ± -		APPLICATION SPEC	A2	00779
2 PLC ± 0.15 [.006]		114-2046	DRAWING NO	C=63879
3 PLC ± -		WEIGHT -	RESTRICTED TO	-
4 PLC ± -		CUSTOMER DRAWING	SCALE	5:1
ANGLES ± -			SHEET	1 of 1
FINISH ②			REV	D

单击下面可查看定价，库存，交付和生命周期等信息

[>>TE Connectivity\(泰科\)](#)