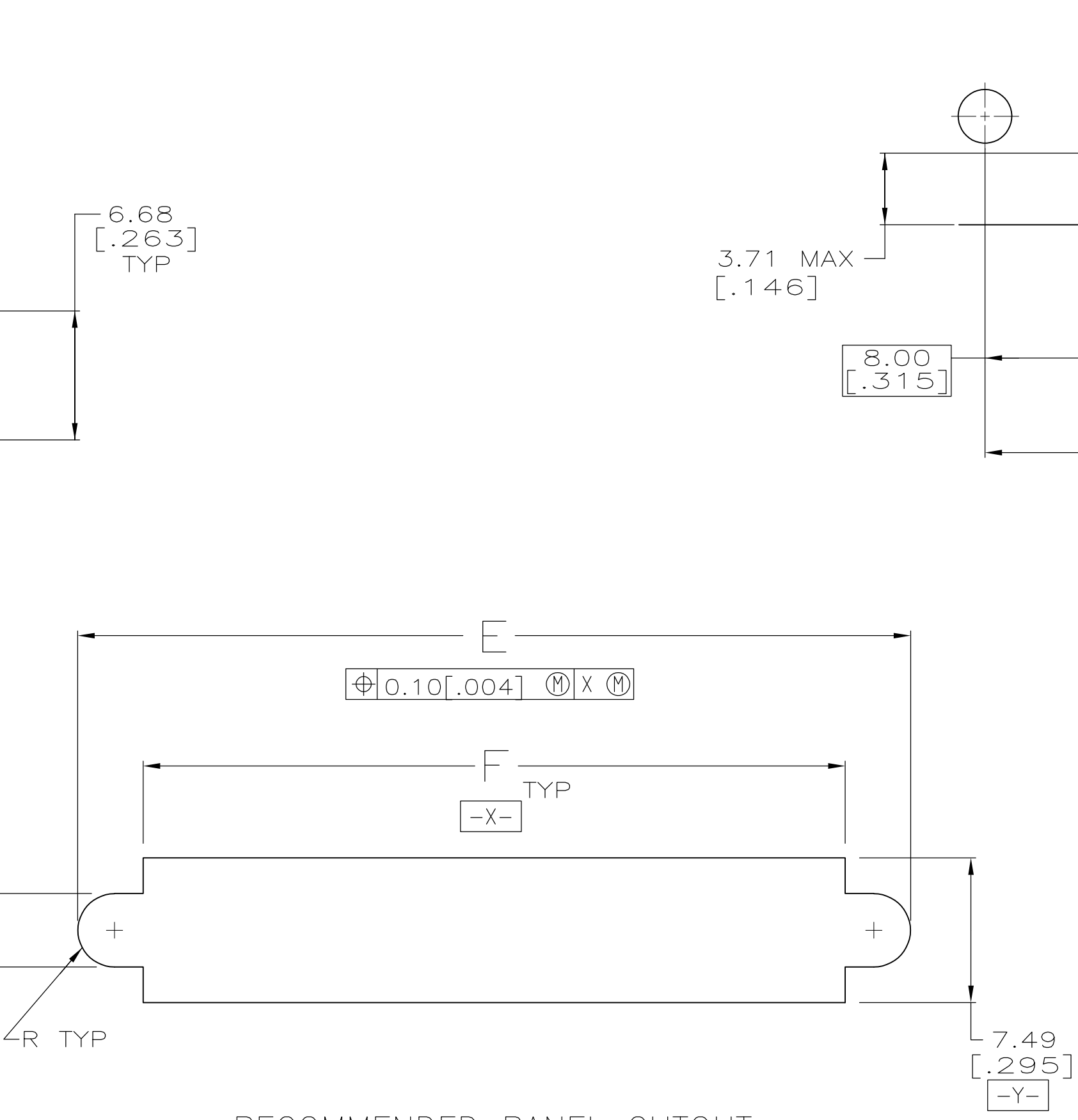
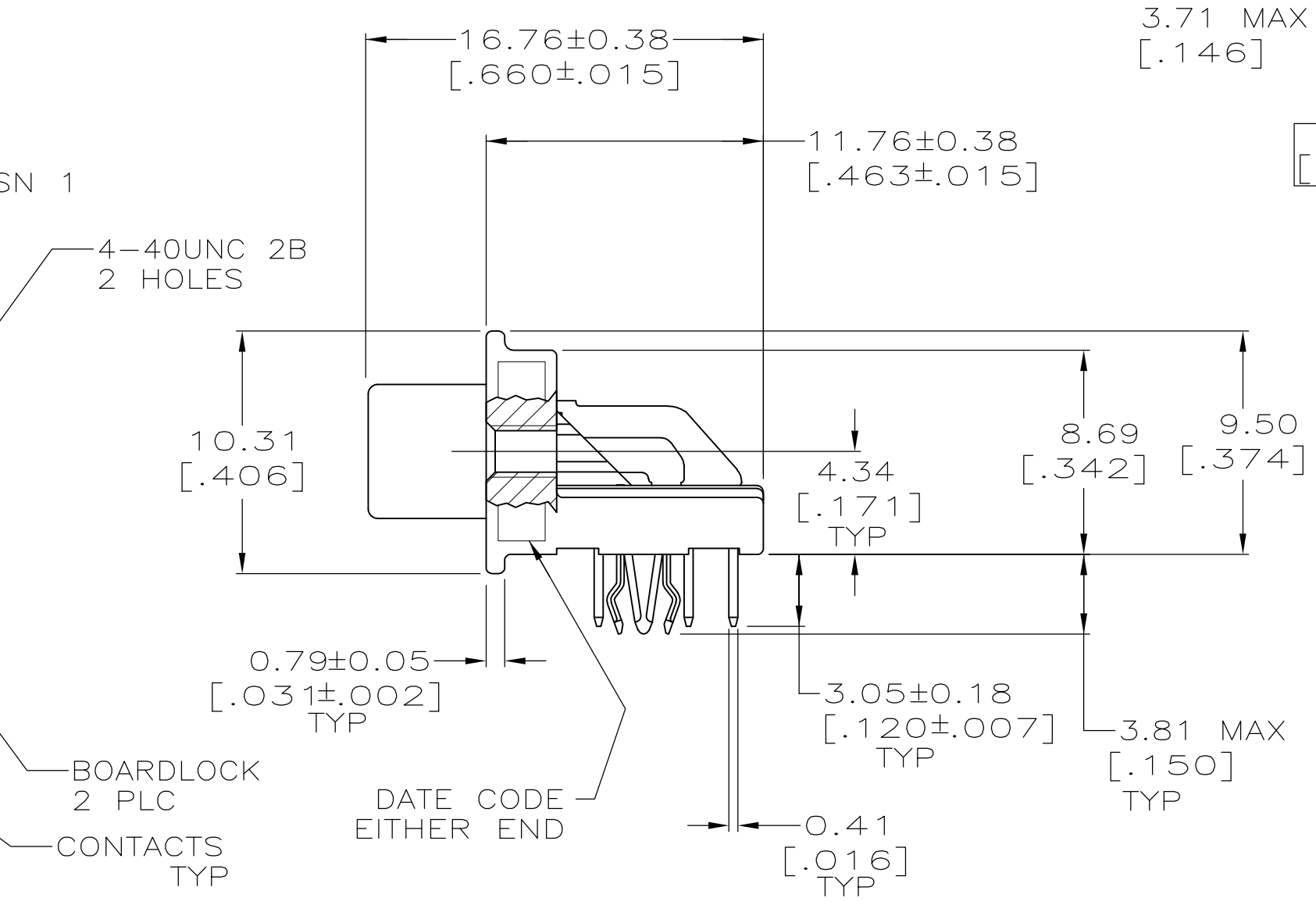
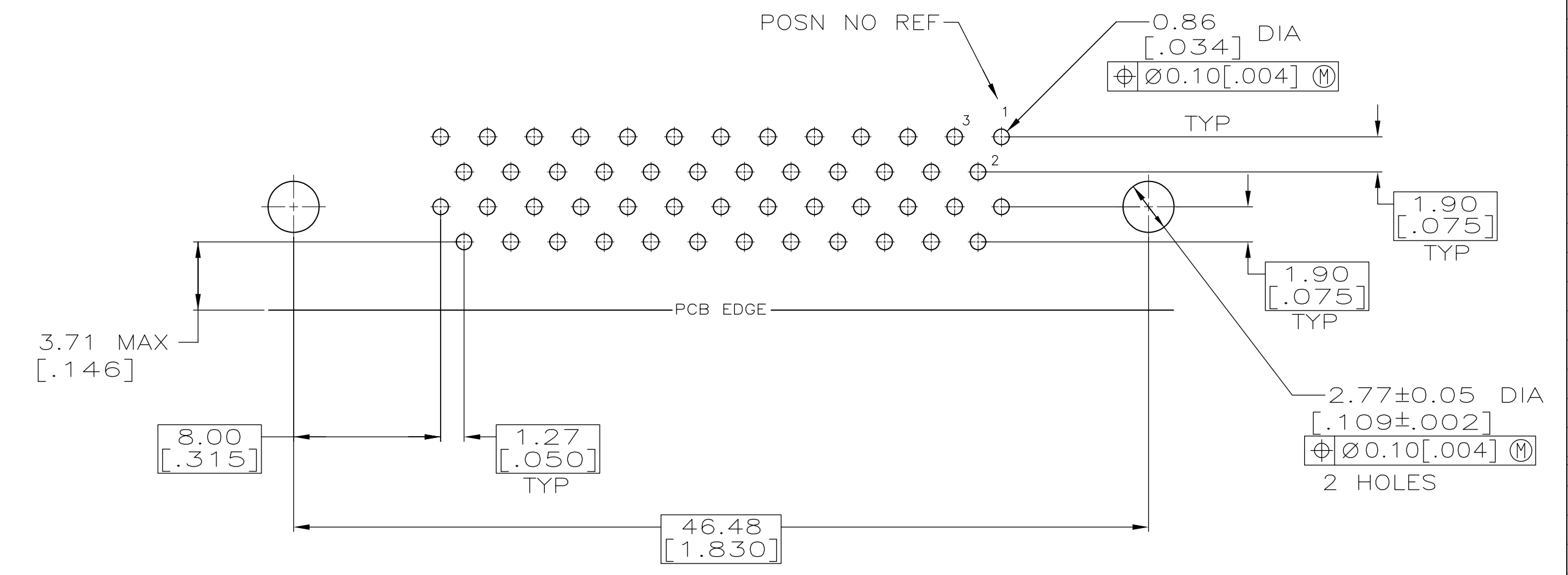


△ CONTACTS: PHOSPHOR BRONZE  
 HOUSING & PIN SPACER: UL 94V-0 RATED, THERMOPLASTIC, BLACK  
 BRACKET: ZINC  
 SHELL: CARBON STEEL  
 BOARDLOCKS: COPPER ALLOY

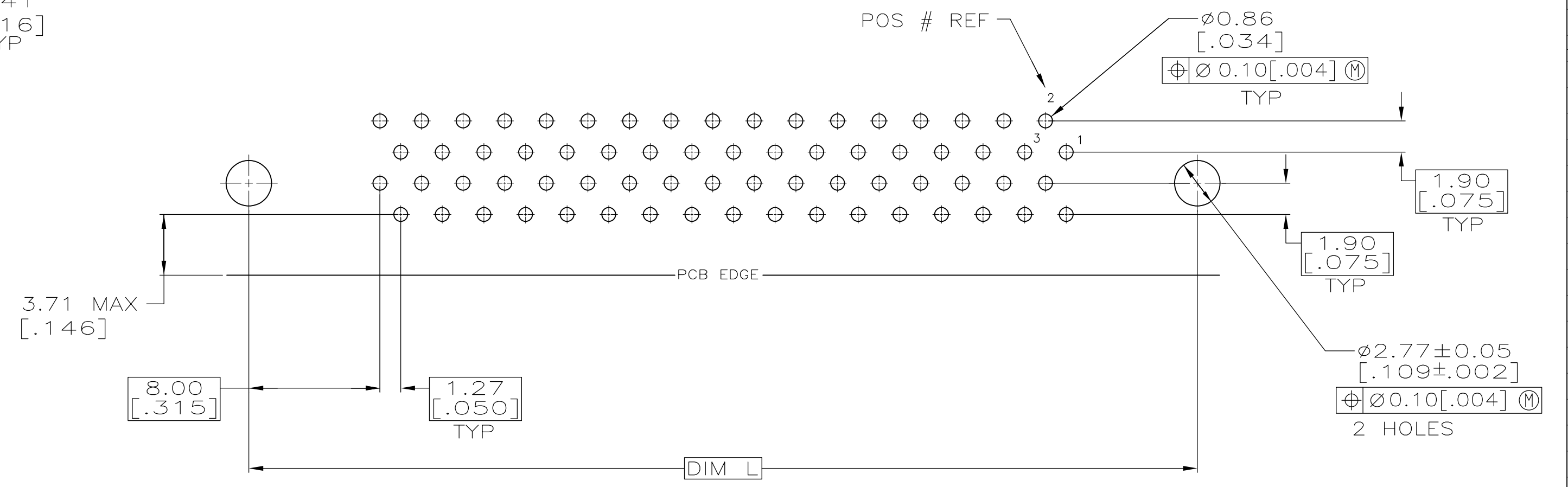
△ CONTACTS: EITHER 0.76µm [.000030] MIN GOLD PLATE ON MATING END OR  
 GOLD FLASH OVER PALLADIUM NICKEL PLATE, 0.76µm [.000030] MIN TOTAL ON  
 MATING END. 3.81µm [.000150] MIN TIN ON OPPOSITE END FOR A LENGTH OF  
 2.72 [.107] MIN, BOTH OVER 1.27µm [.000050] MIN NICKEL.  
 SHELL: 5.08µm [.000200] MIN NICKEL OVER 1.27µm [.000050] MIN COPPER.  
 BRACKET: 2.54µm [.000100] MIN NICKEL OVER 5.08µm [.000200] COPPER.  
 BOARDLOCKS: 5.08µm [.000200] MIN TIN OVER 1.27µm [.000050] MIN NICKEL.



RECOMMENDED PANEL CUTOUT



P.C. BOARD MOUNTING DIMENSIONS  
 CONNCTOR SIDE  
 P.C. BOARD THICKNESS 2.36±0.20 [.093±.008]  
 PC BOARD PATTERN S



P.C. BOARD MOUNTING DIMENSIONS  
 CONNCTOR SIDE  
 P.C. BOARD THICKNESS 2.36±0.20 [.093±.008]  
 PC BOARD PATTERN T

T	78.23 [3.080]	0.64 [.025]	69.44 [2.734]	82.04 [3.230]	84.20 [3.315]	66.45 [2.616]	78.23 [3.080]	100	5787362-9
T	57.91 [2.280]	0.64 [.025]	49.12 [1.934]	61.72 [2.430]	63.88 [2.515]	46.13 [1.816]	57.91 [2.280]	68	5787362-7
S	-	1.27 [.050]	37.69 [1.484]	50.29 [1.980]	52.45 [2.065]	34.70 [1.366]	46.48 [1.830]	50	5787362-5
PC BOARD PATTERN	L	G	F	E	D	B	A	NO OF POS	PART NUMBER

THIS DRAWING IS A CONTROLLED DOCUMENT.

DIMENSIONS: mm [INCHES]	TOLERANCES UNLESS OTHERWISE SPECIFIED:	DWN J. GERACE 25JAN05	25JAN05	Tyco Electronics Corporation Harrisburg, PA 17105-3608
0 PLC ± -	1 PLC ± -	CHK S. SHUEY	25JAN05	NAME M. WALMSLEY
2 PLC ± 0.15[.005]	3 PLC ± -	APPRO M. WALMSLEY	25JAN05	PRODUCT SPEC 108-1228
4 PLC ± -	ANGLES ± -	FINISH	FINISH	APPLICATION SPEC 114-40029
MATERIAL	FINISH	WEIGHT	SIZE A1	CAGE CODE 00779
			SCALE 4:1	DRAWING NO 5787362
			SHEET 1 of 1	REV B

CUSTOMER DRAWING

单击下面可查看定价，库存，交付和生命周期等信息

[>>TE Connectivity\(泰科\)](#)