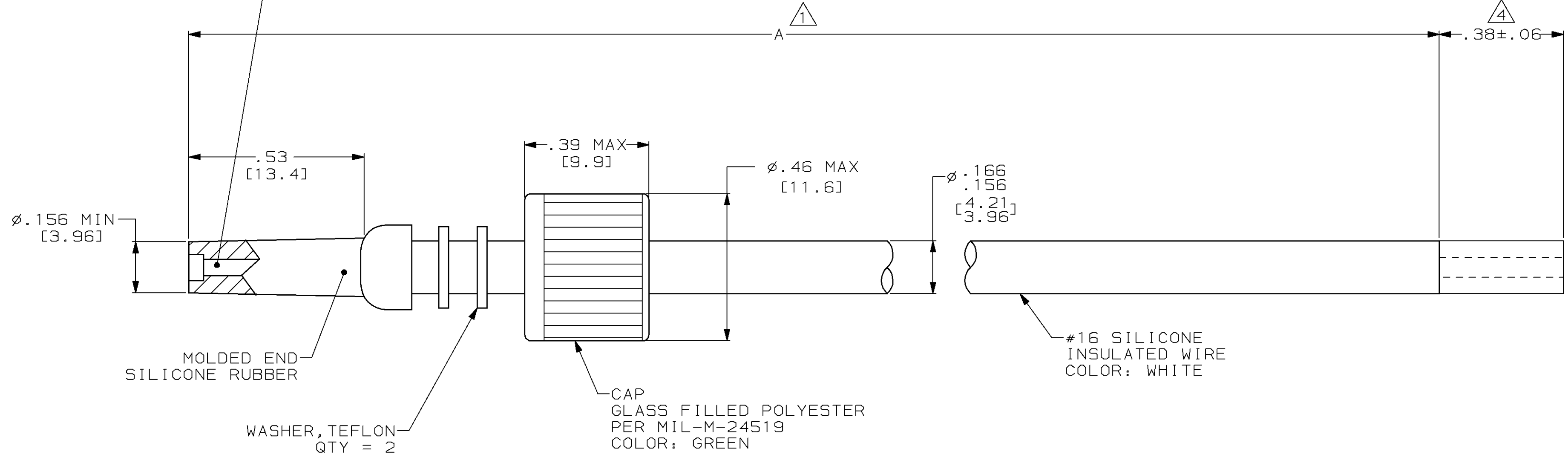


THIS DRAWING IS UNPUBLISHED. RELEASED FOR PUBLICATION, 19 .  
 © COPYRIGHT 19 BY AMP INCORPORATED. ALL INTERNATIONAL RIGHTS RESERVED.

PROD CODE	LOC	DIST	P	F	ZONE	LTR	DESCRIPTION	DATE	APPD
4092	DF	SO				G	REV PER 0600-6145-97 CT	4-97	SG

PART NO.	A	CUSTOMER PART NO.
868487-1	8.00 [203.2]	N30003LH-8
868487-2	17.00 [431.8]	N30003LH-3
868487-3	15.00 [381.0]	-
868487-4	12.00 [304.8]	N30003LH-4
868487-5	9.50 [241.3]	N30003LH-5
868487-6	14.00 [355.6]	N30003LH-6
868487-7	16.00 [406.4]	N30003LH-7
868487-8	12.50 [317.5]	-

SOCKET; SIZE #16  
 MAT'L: Be Cu PER QQ-C-530  
 FINISH: GOLD PER MIL-G-45204  
 OVER NICKEL PER QQ-N-290



- TOLERANCE OF LEAD LENGTH:  
 UP TO 24 INCHES [609.6] = ±.12 [±3.0]  
 24 INCHES [609.6] & UP = ±1%
- 2. MARKED PER MIL-STD-130 INCLUDING CUSTOMER PART NO. PER TABLE.
- 3. TO MATE WITH AMP LGH-1/2 RECEPTACLE WITH .53 [13.4] BARREL DEPTH.
- INSULATION CUT AT THIS LOCATION; NOT REMOVED.
- 5. OPERATING VOLTAGE: 10 KVDC AT 0 TO 70,000 FEET, -55°C TO 125°C.

DO NOT SCALE PRINT. UNLESS SPECIFIED DIMENSIONS IN INCHES [mm] TOLERANCES ON: 2 PLC DEC ± .02 [0.5] 3 PLC DEC ± - ANGLES ± -	DR 2-12-90 C.C. THOMAS	<b>AMP</b> AMP INCORPORATED Harrisburg, Pa. 17105	
	CHK 8-10-91 S. GLATFELTER		
MATERIAL SEE CALLOUTS	APPD 8-10-91 S. GLATFELTER	NAME LEAD ASS'Y, SGL. MOLDED END, LGH-1/2	
FINISH -	APPLICATION SPEC -	SIZE <b>C</b>	CAGE CODE 00779
	WEIGHT -	SCALE 4:1	DRAWING NO 868487
			SHEET 1 OF 1

单击下面可查看定价，库存，交付和生命周期等信息

[>>TE Connectivity\(泰科\)](#)